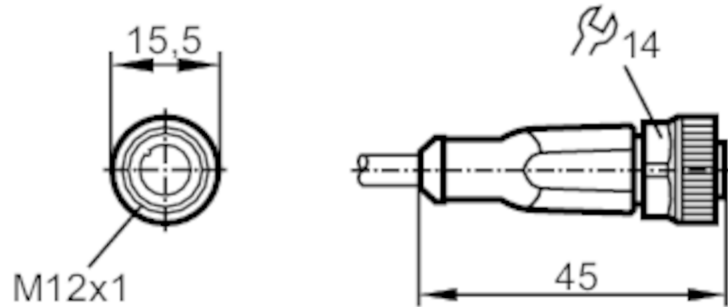


# EVW011



## Connecting cable with socket

ADOGH050SCS0005T05



Application					
Application	welding applications				
Free from silicone	yes				
Electrical data					
Operating voltage [V]	< 60 AC/DC				
Protection class	II				
Max. current load total [A]	4				
Operating conditions					
Ambient temperature [°C]	-25...90				
Note on ambient temperature	cULus: ...75				
Ambient temperature (moving) [°C]	-25...90				
Note on ambient temperature (moving)	cULus: ...75				
Protection	IP 65; IP 67; IP 68; IP 69K				
Mechanical data					
Weight [g]	207				
Dimensions [mm]	15.5 x 15.5 x 45				
Materials	housing: TPU orange; Sealing: FKM				
Material nut	brass				
Drag chain suitability	bending radius for flexible use	min. 10 x cable diameter			
	travel speed	max. 3.3 m/s for a horizontal travel length of 5 m and			

# EVW011



## Connecting cable with socket

ADOGH050SCS0005T05

	max. acceleration of 5 m/s <sup>2</sup>		
bending cycles		> 2 Mio.	
torsional strain		± 180 °/m	

### Remarks

Pack quantity

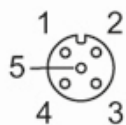
1 pcs.

### Electrical connection

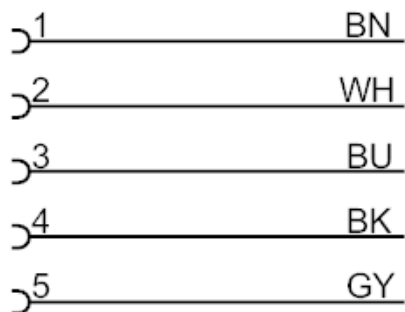
Cable: 5 m, PUR, Halogen-free, grey, Ø 5.1 mm; not irradiated (can be recycled); 5 x 0.34 mm<sup>2</sup> (42 x Ø 0.1 mm )

Cable: 5 m, PUR, Halogen-free, grey, Ø 5.1 mm; resistant to welding sparks; 5 x 0.34 mm<sup>2</sup> (42 x Ø 0.1 mm )

Connector: 1 x M12, straight; Locking: , brass, anti-spatter; Kontakte: gold-plated; Tightening torque: 0.6...1.5



### Connection



#### Core colours :

BK =	black
BN =	brown
BU =	blue
GY =	grey
WH =	white