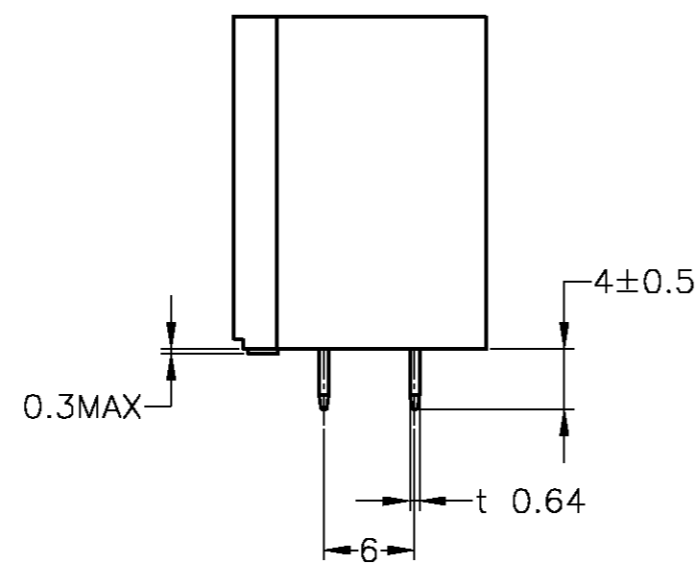
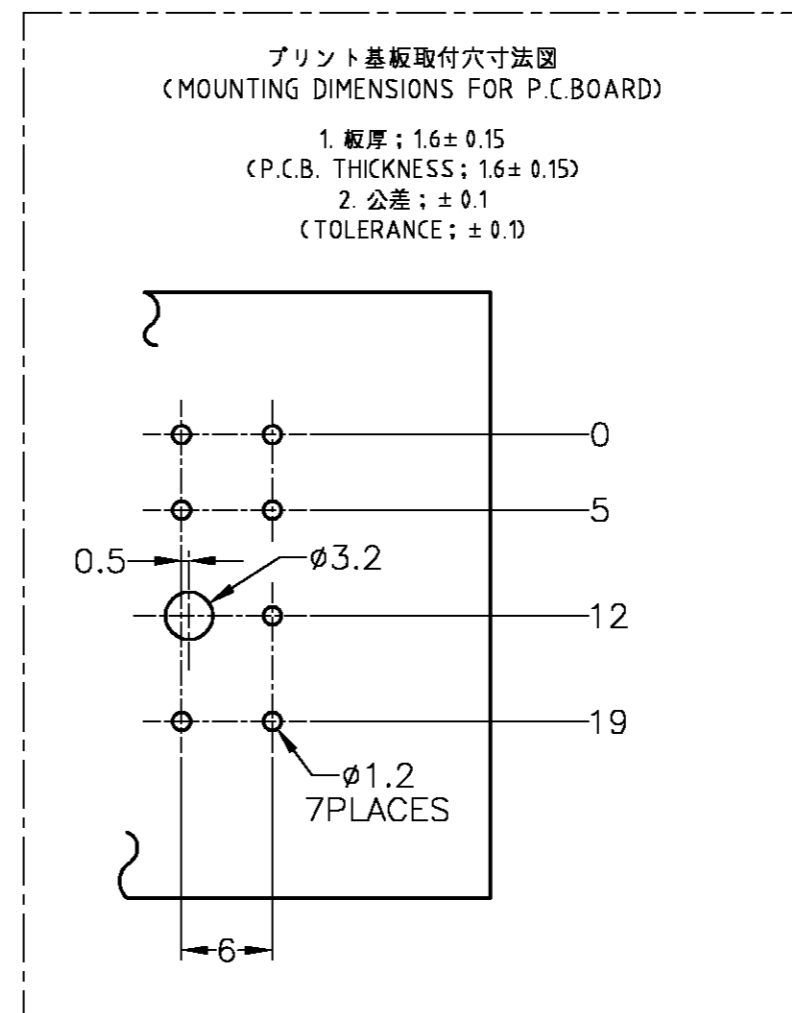
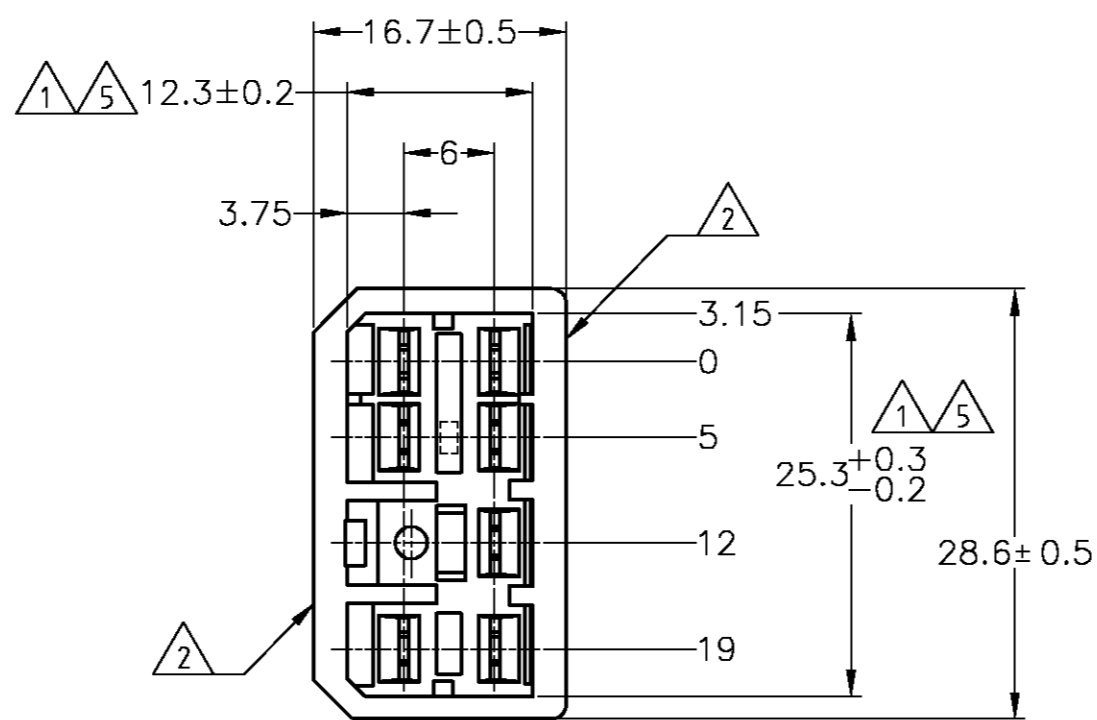
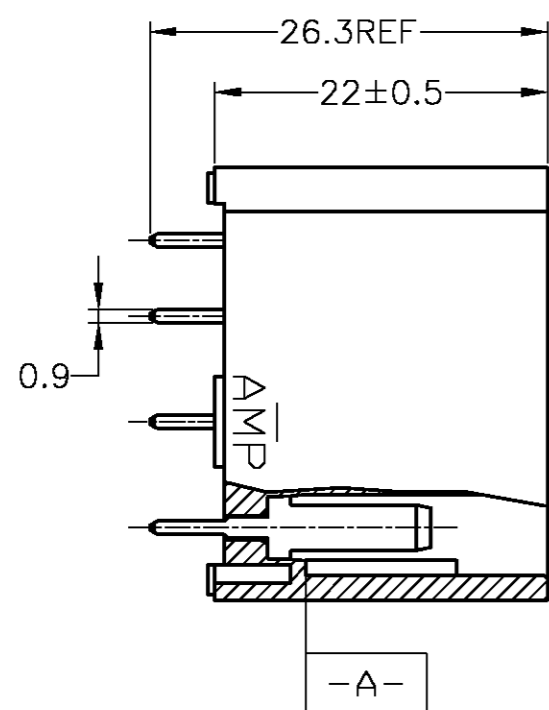


THIS DRAWING IS UNPUBLISHED. RELEASED FOR PUBLICATION
 © COPYRIGHT BY TYCO ELECTRONICS CORPORATION. ALL RIGHTS RESERVED.

LOC	DIST	REVISIONS					
J	-	P	LTR	DESCRIPTION	DATE	DWN	APVD
		E4	REVISED	ECR-07-017829	31AUG07	TS	KB



- ① 相手ハウジングと所定の機能を満たして嵌合できること。
- ② フードの反りは0.2以内。
- 3. 推奨取付けねじ: JIS B 1115又は、1122 タッピンねじ
なべ1種、呼び径3を使用し締め付け後半田付けする。
(締め付けトルク: 0.4N-m 以下)
- 4. 適用製品規格: 108-5093
- ⑤ [-A-] 面より2mmの範囲で測定のこと。
- 6. 相手ハウジングとの嵌合力は、29.4N以下。
但し、リセタククルコンタクトは含まない。

- ① IN COUPLING WITH THE PLUG HOUSING MATING SATISFIES FUNCTION.
- ② WARPAGE 0.2 MAX.
- 3. RECOMMENDED MOUNTING SCREW; 3mm DIA.
PAN HEAD, CLASS 1 TAPPING SCREW SPECIFIED IN JIS
B1115, B1122 (TORQUE; 0.4N-m MAX.)
- 4. PRODUCT SPEC No.; 108-5093
- ⑤ TO BE MEASURED WITHIN 2mm FROM [-A-]
- 6. IN COUPLING WITH THE PLUG HOUSING MATING FORCE
29.4N MAX. WITHOUT REC CONTACTS.

	SEE CUSTOMER DRAWING 6-172036-1			6-172036-1
	SELECTIVE-TIN (MATTE)	SELECTIVE GOLD (0.38μm MIN.)	NATURAL	2-5172036-1
	SELECTIVE-TIN (MATTE)	SELECTIVE GOLD (0.76μm MIN.)	NATURAL	1-5172036-1
OBSOLETE	PRE-TIN	NATURAL		5-172036-1
OBSOLETE	PRE-TIN	NATURAL		4-172036-1
OBSOLETE	TIN-LEAD	SELECTIVE GOLD (0.38μm MIN.)	GREEN	2-172036-4
	TIN-LEAD	SELECTIVE GOLD (0.38μm MIN.)	NATURAL	2-172036-1
OBSOLETE	TIN-LEAD	SELECTIVE GOLD (0.76μm MIN.)	GREEN	1-172036-4
	TIN-LEAD	SELECTIVE GOLD (0.76μm MIN.)	NATURAL	1-172036-1
OBSOLETE	PRE-TIN	YELLOW		172036-7
OBSOLETE	PRE-TIN	GRAY		172036-6
OBSOLETE	PRE-TIN	BLUE		172036-5
	PRE-TIN	GREEN		172036-4
OBSOLETE	PRE-TIN	BROWN		172036-3
	PRE-TIN	BLACK		172036-2
	PRE-TIN	NATURAL		172036-1
	SOLDERING SIDE 半田付け部	CONTACT SIDE 接触部側	COLOR 色	PART NUMBER 製品型番
	CONTACT FINISH コンタクト仕上			

一般公差 (GENERAL TOLERANCE)	10以下: ±0.2 10未満 30以下: ±0.25 30未満 100以下: ±0.3 角 度: ±3°
-----------------------------	--

THIS DRAWING IS A CONTROLLED DOCUMENT.	
DIMENSIONS: 単位: 特 mm	TOLERANCES UNLESS OTHERWISE SPECIFIED: 一般公差
0 PLC ± 1 PLC ± 2 PLC ± 3 PLC ± 4 PLC ±	ANGLES ±
MATERIAL 材料	FINISH 仕上
HOUSING: 66 NYLON CONTACT: BRASS	SEE TABLE

DWN T.SHINOHARA 04OCT05	CHK K.BETSUI 04OCT05	APVD K.BETSUI 04OCT05	NAME 名称	7POSITION V-TYPE CAP HOUSING ASSEMBLY MULTI-INTERLOCK CONNECTOR (WIRE TO P.C.B.)
Tyco Electronics AMP K.K. Kawasaki, Japan			SIZE A2	CAGE CODE 00779
DRAWING NO. 172036			RESTRICTED TO	
CUSTOMER DRAWING			SCALE 2:1	SHEET 1 OF 1