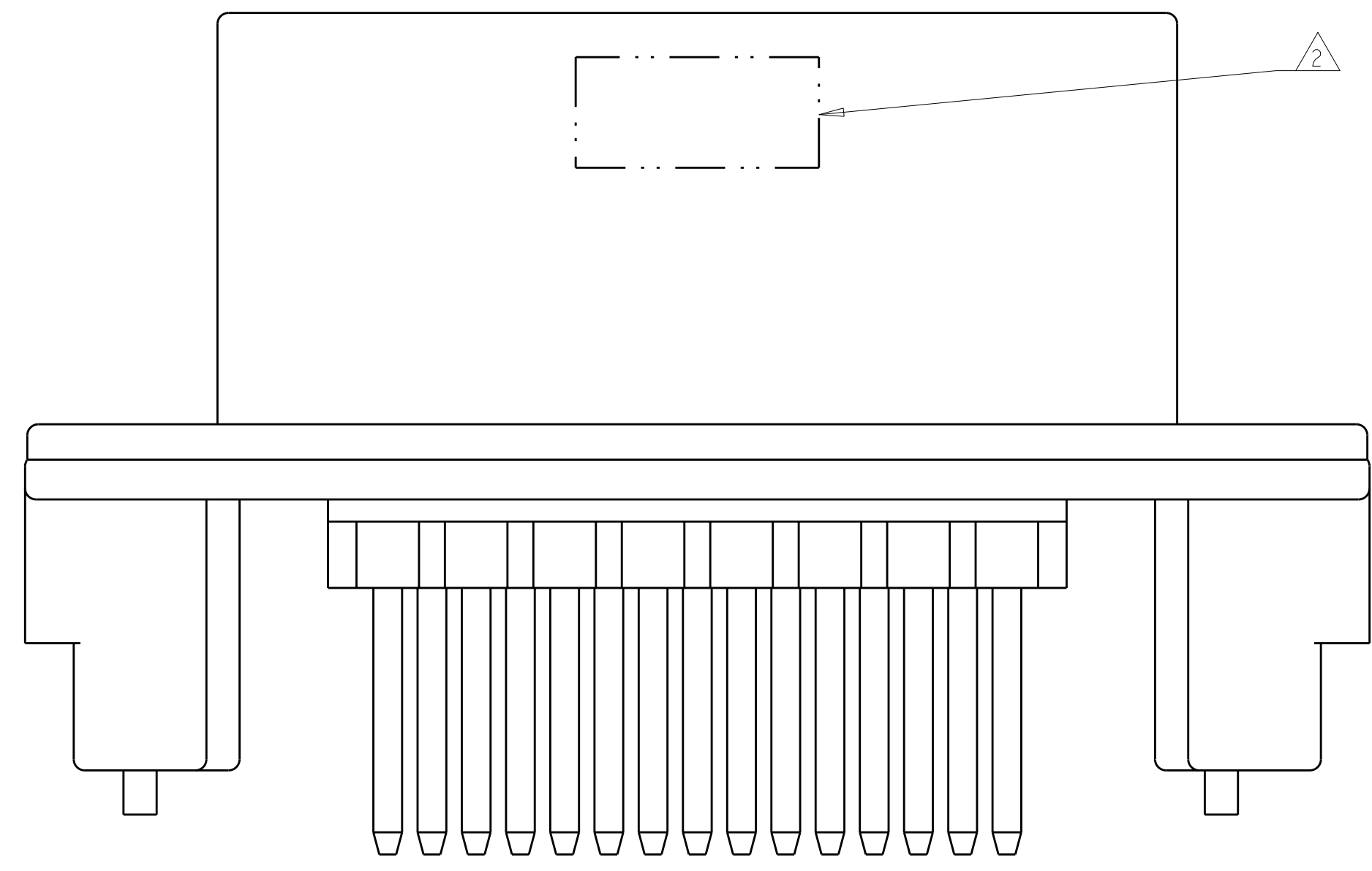
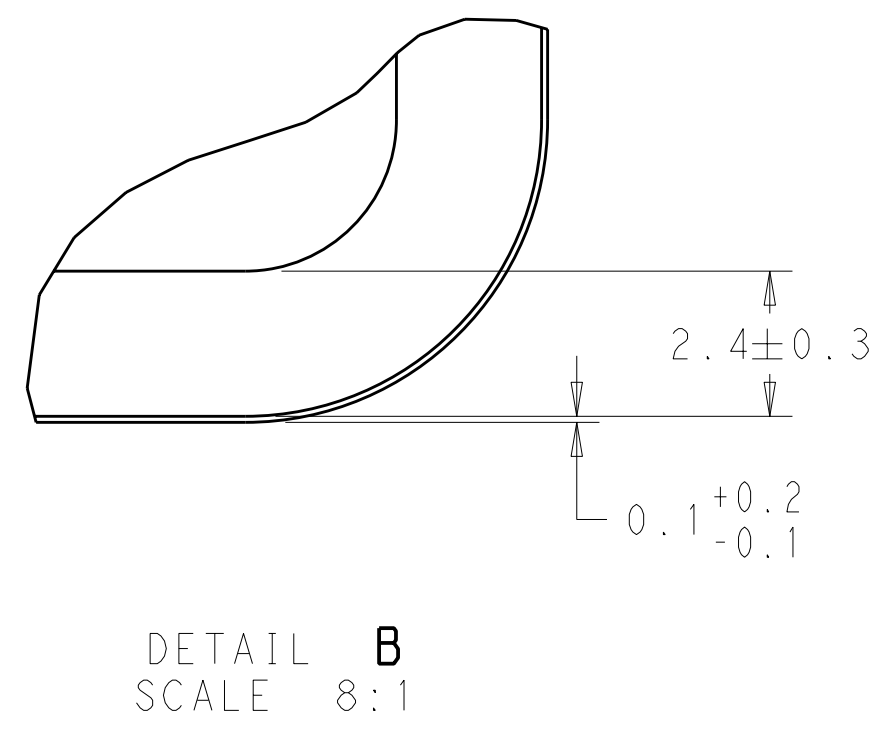
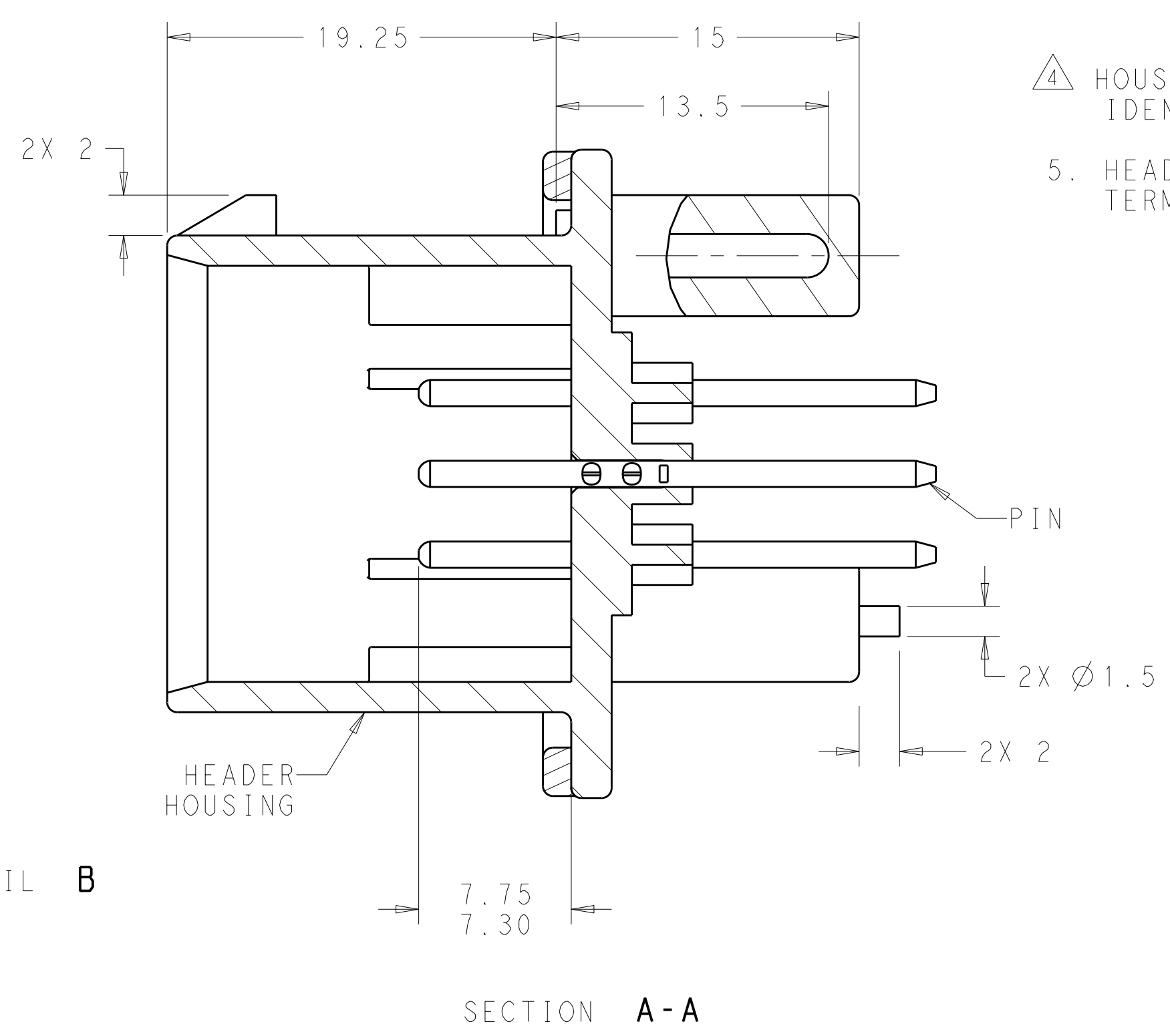
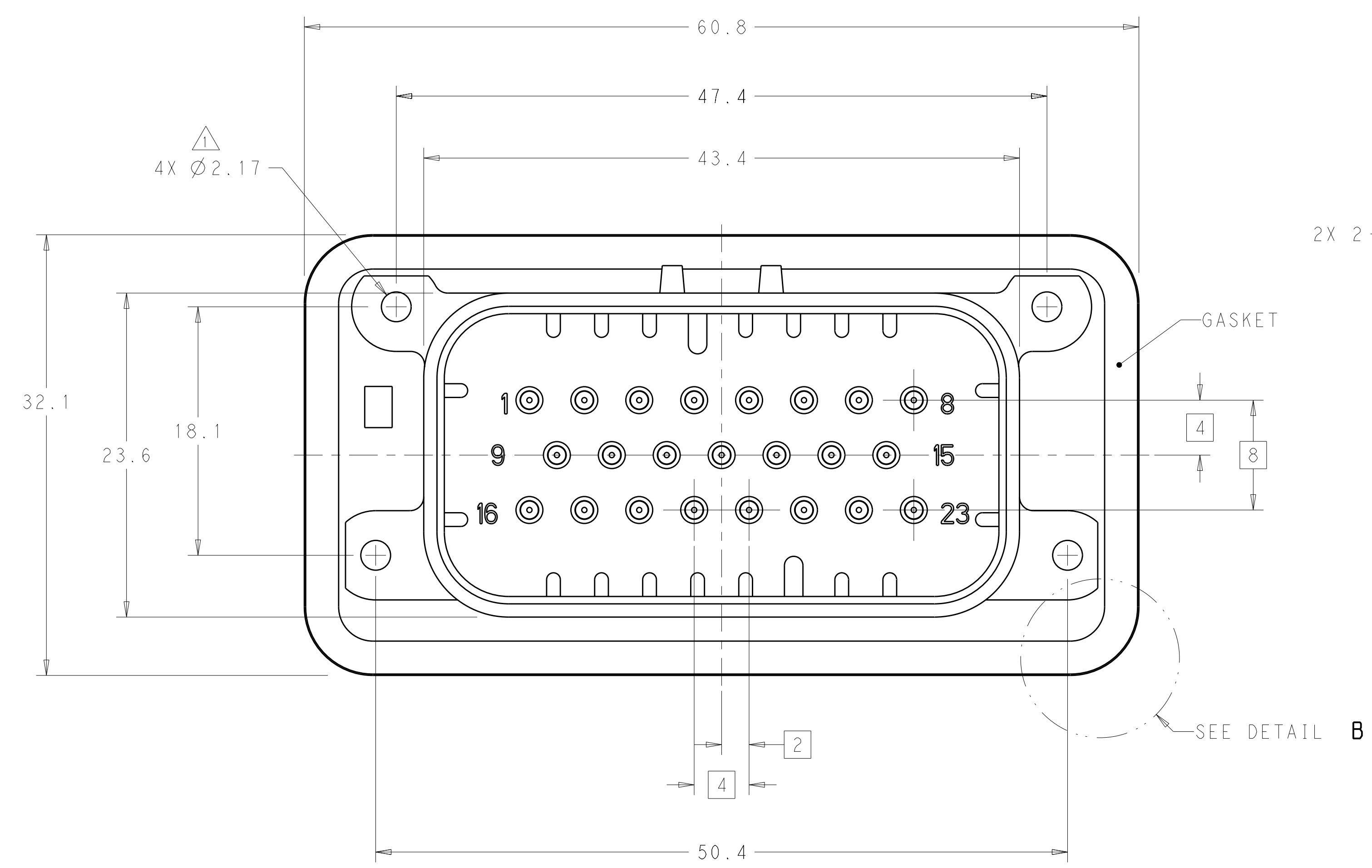


LOC	DIST	REV	DATE	BY	CHK	APPV
BV	00	C5	11MAR2011	RK	HMR	



- 1 ACCEPTS #4 SELF TAPPING THREAD CUTTING SCREWS OR METRIC EQUIVALENT. DRIVE TO 0.6 N-m MAX
- 2 DATE CODE IN THIS LOCATION USING 5 DIGIT CODE FIRST 2 DIGITS = YEAR, SECOND 2 DIGITS = WEEK LAST DIGIT = DAY.
- 3 MATERIALS: HEADER HOUSING - GLASS FILLED PBT
PINS - TIN OR GOLD PLATED BRASS
GASKET - SILICONE
- 4 HOUSING COLORS ARE MECHANICALLY KEYS TO MATE ONLY WITH IDENTICALLY COLORED PLUG ASSEMBLIES.
- 5. HEADER MATES TO PLUG ASSEMBLY 770680 WHICH USES REELED TERMINAL 770520 OR LOOSE PIECE TERMINAL 770854

776228-1 & 1-776228-1 SHOWN

HEADER COLOR	PLATING	PART NUMBER
BLUE	DURAGOLD	1-776228-5
GRAY	DURAGOLD	1-776228-4
NATURAL	DURAGOLD	1-776228-2
BLACK	DURAGOLD	1-776228-1
BLUE	TIN	776228-5
GRAY	TIN	776228-4
NATURAL	TIN	776228-2
BLACK	TIN	776228-1

THIS DRAWING IS A CONTROLLED DOCUMENT.

DWN: D. STRAUSSER 05MAR2010
 CHK: D. STRAUSSER 22MAR2010
 APVD: D. STRAUSSER 27APR2010

DIMENSIONS: mm
 TOLERANCES UNLESS OTHERWISE SPECIFIED:
 9 PLC ±
 1 PLC ±0.2
 3 PLC ±0.13
 5 PLC ±
 4 PLC ±
 ANGLES ±4°

MATERIAL: 3
 FINISH: 3

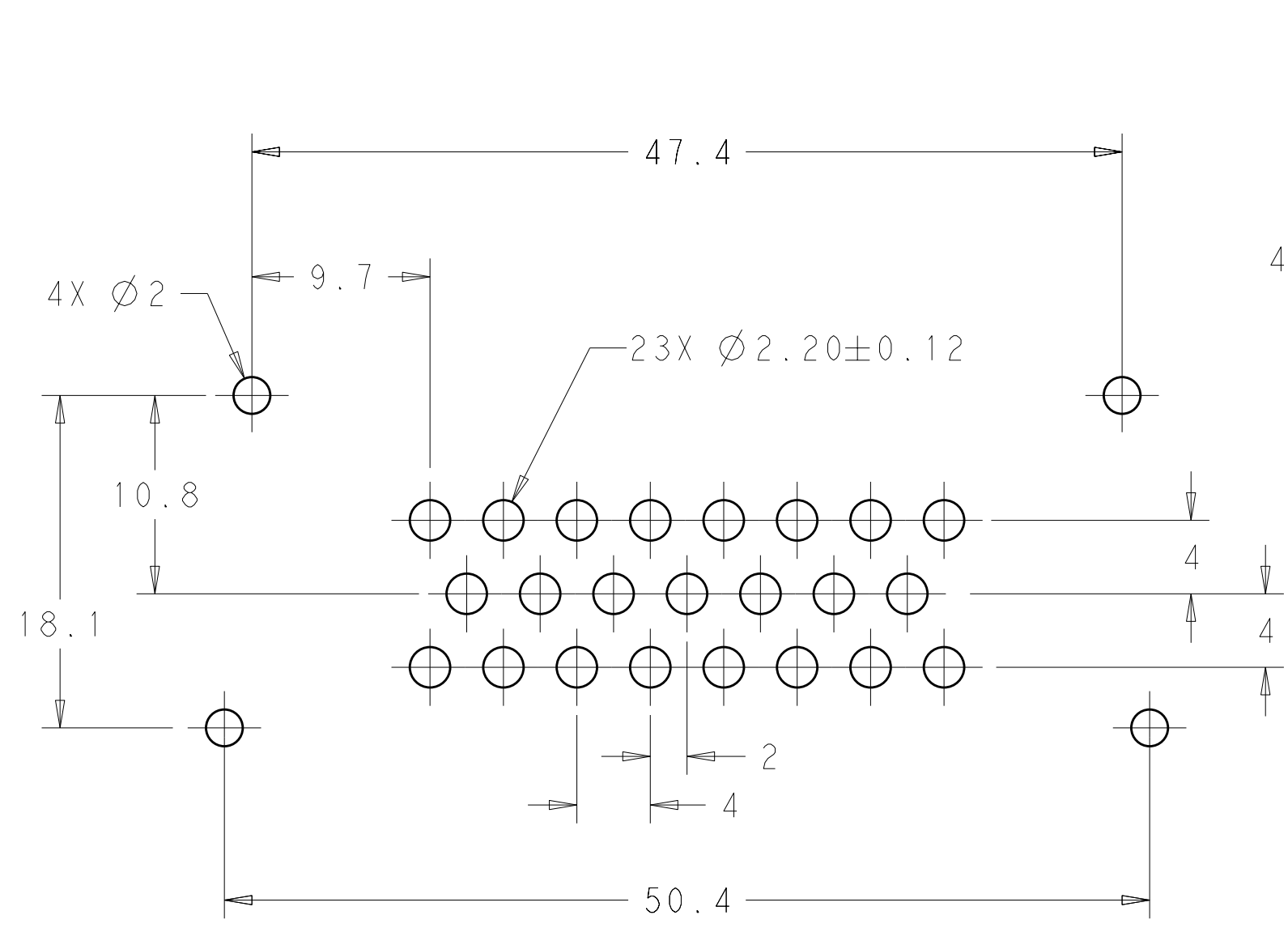
PRODUCT SPEC: 108-1329
 APPLICATION SPEC: 114-16016
 WEIGHT: -
 CUSTOMER DRAWING

NAME: ASSEMBLY, HEADER, 23 POSITION, VERTICAL, AMPSEAL WITH FLANGE SEAL
 SIZE: A1
 CAGE CODE: 100779
 DRAWING NO: C-776228
 RESTRICTED TO: -
 SCALE: 4:1 SHEET 1 OF 2 REV: C5

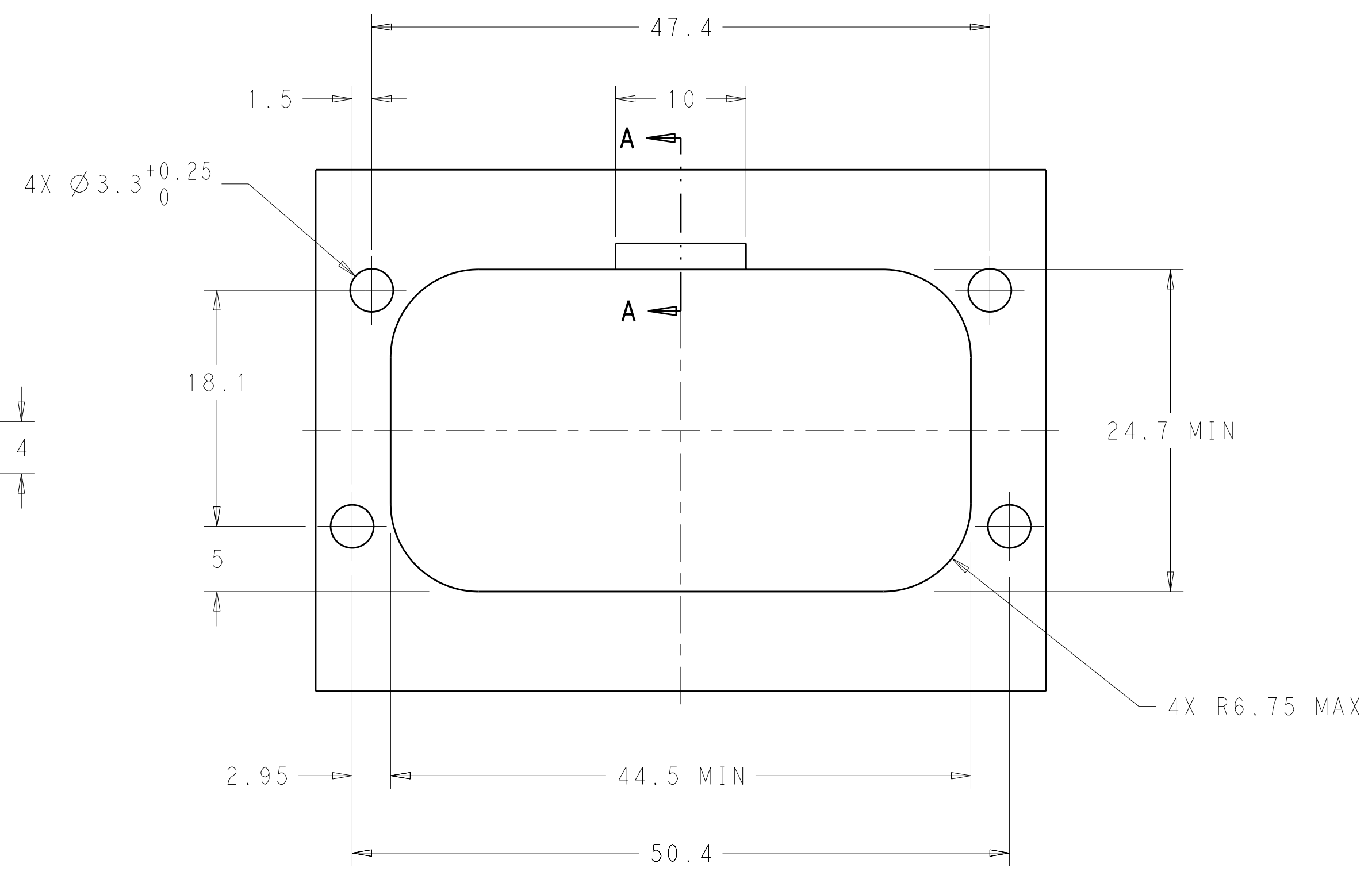
STC TE Connectivity

LOC	DIST	REV	DATE	BY	APPV
BV	00				

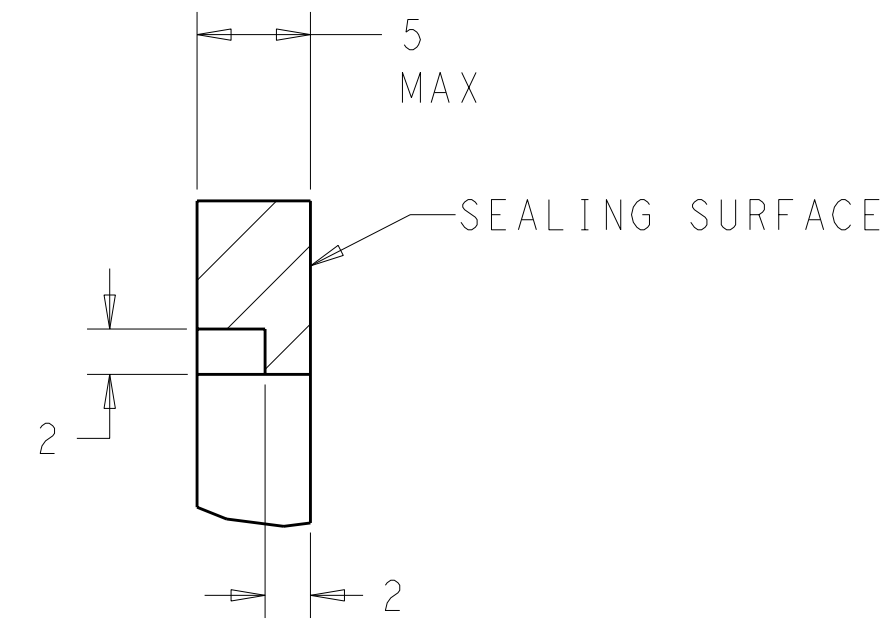
REVISIONS			
REV	DATE	BY	APPV
-	-	-	-
-	-	-	-



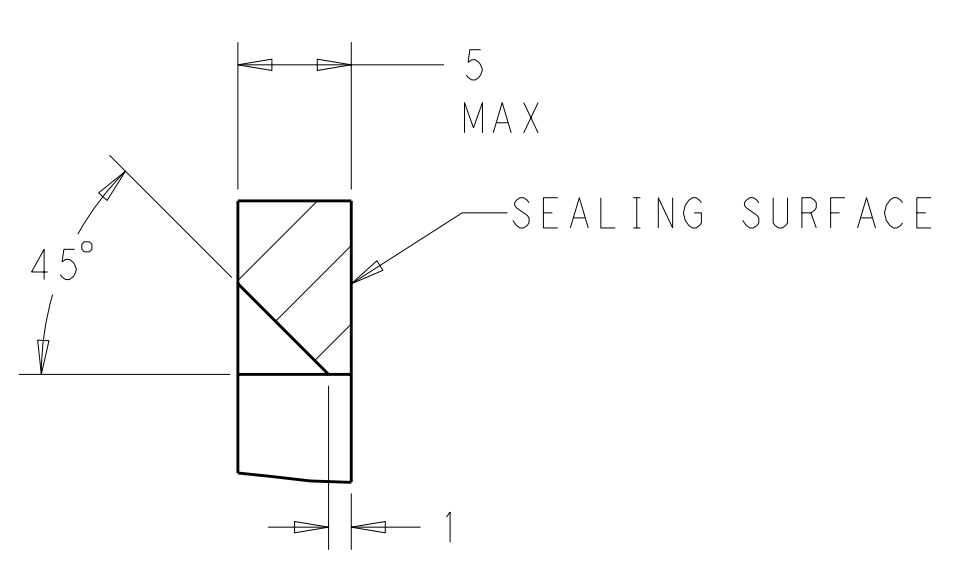
RECOMMENDED P.C. BOARD LAYOUT FOR 1.57 THICK P.C. BOARD



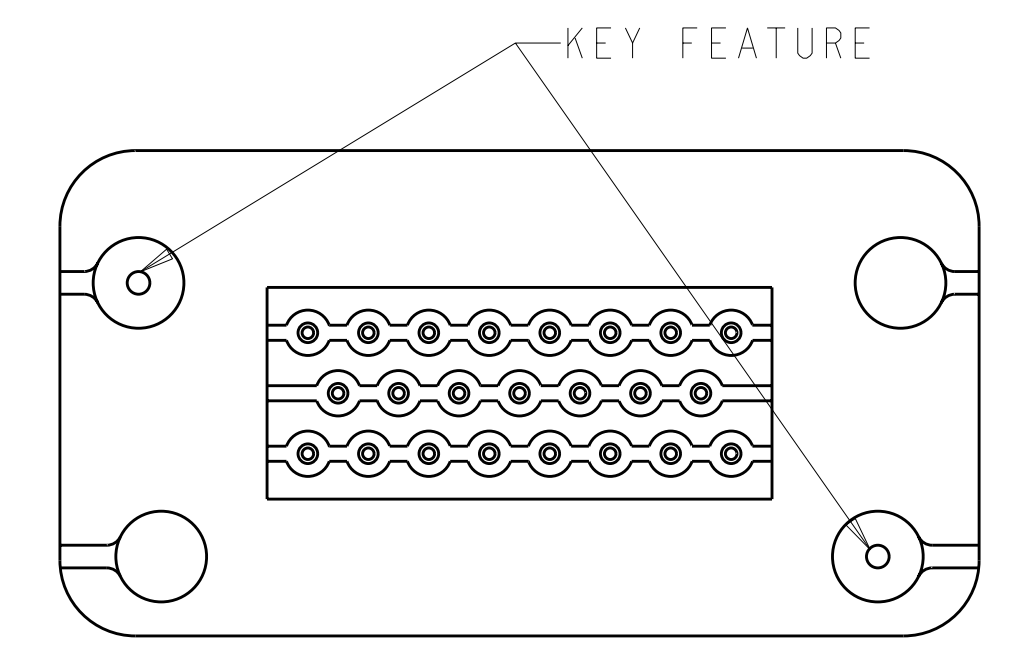
RECOMMENDED MOUNTING HOLE LAYOUT FOR 5.0 MAX THICK PANEL



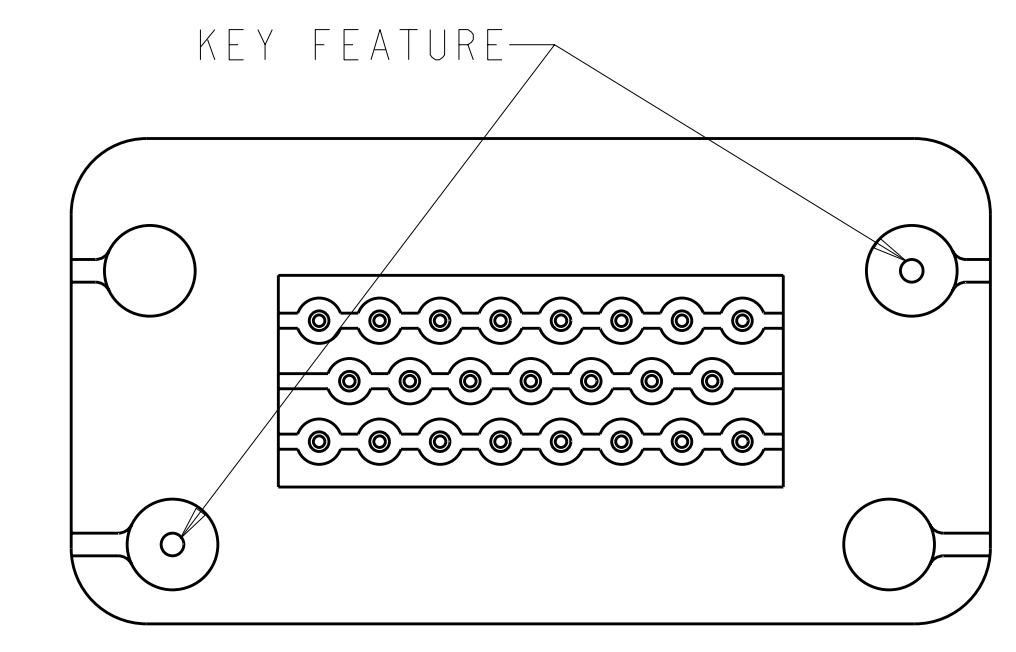
SECTION A-A
 OPTIONAL CONSTRUCTION IF PANEL THICKNESS IS GREATER THAN 2.0



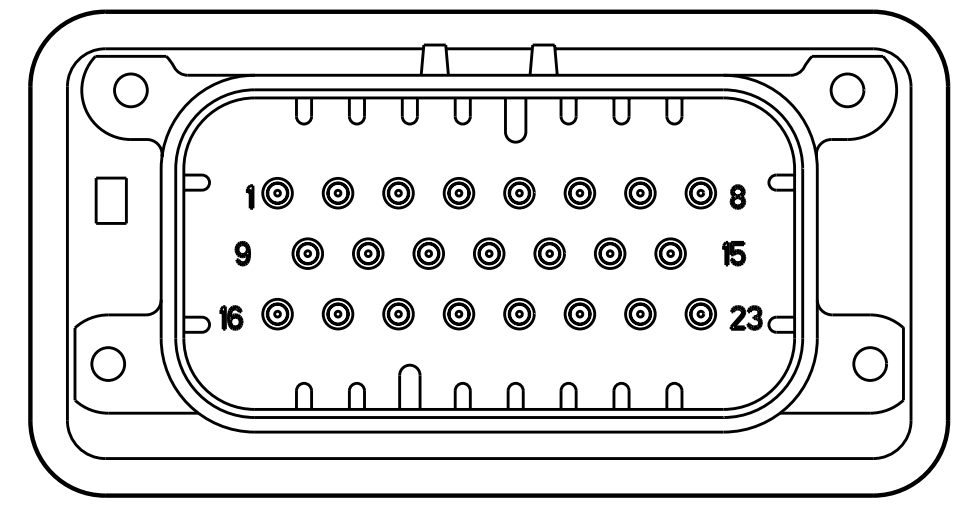
SECTION A-A
 OPTIONAL CONSTRUCTION IF PANEL THICKNESS IS GREATER THAN 2.0



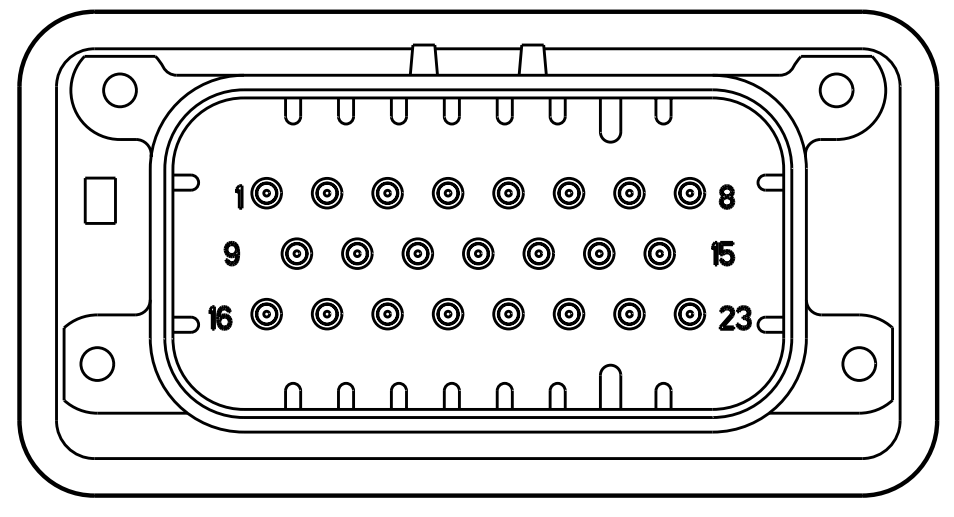
KEYING FOR 776228-1 AND 776228-5
 SCALE 2:1



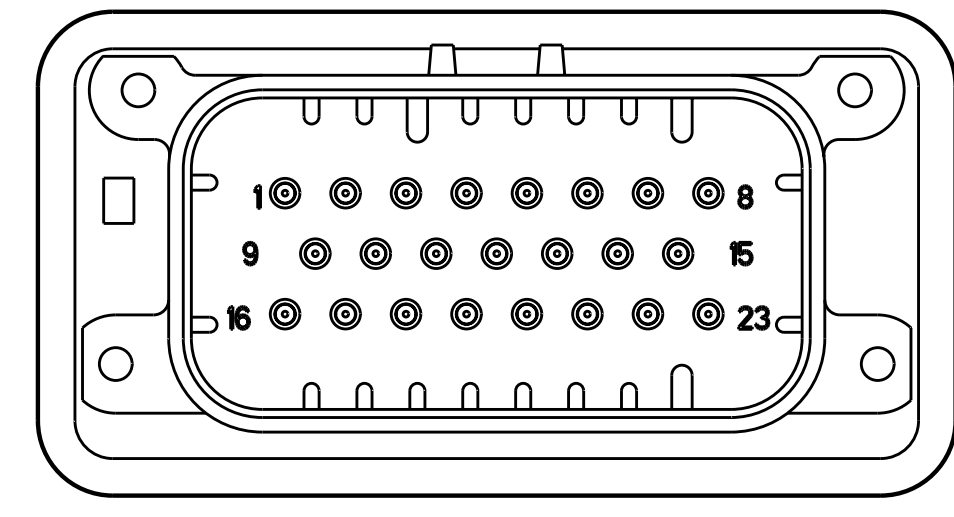
KEYING FOR 776228-2 AND 776228-4
 SCALE 2:1



776228-2 & 1-776228-2
 KEY LOCATION
 SCALE 2:1



776228-4 & 1-776228-4
 KEY LOCATION
 SCALE 2:1



776228-5 & 1-776228-5
 KEY LOCATION
 SCALE 2:1

THIS DRAWING IS A CONTROLLED DOCUMENT.		OWN: D. STRAUSSER 05MAR2010	TE Connectivity
DIMENSIONS: mm		CHK: D. STRAUSSER 22MAR2010	
TOLERANCES UNLESS OTHERWISE SPECIFIED:		APVD: D. STRAUSSER 27APR2010	NAME: ASSEMBLY, HEADER, 23 POSITION, VERTICAL, AMPSEAL WITH FLANGE SEAL
9 PLC ± 7 PLC ±0.2 5 PLC ±0.13 4 PLC ± ANGLES ±4°		PRODUCT SPEC: 108-1329	SIZE: CAGE CODE: DRAWING NO: A100779C=776228
MATERIAL: -		APPLICATION SPEC: 114-16016	RESTRICTED TO: -
FINISH: -		WEIGHT: -	SCALE: 2:1 SHEET 2 OF 2 REV: C5
CUSTOMER DRAWING			