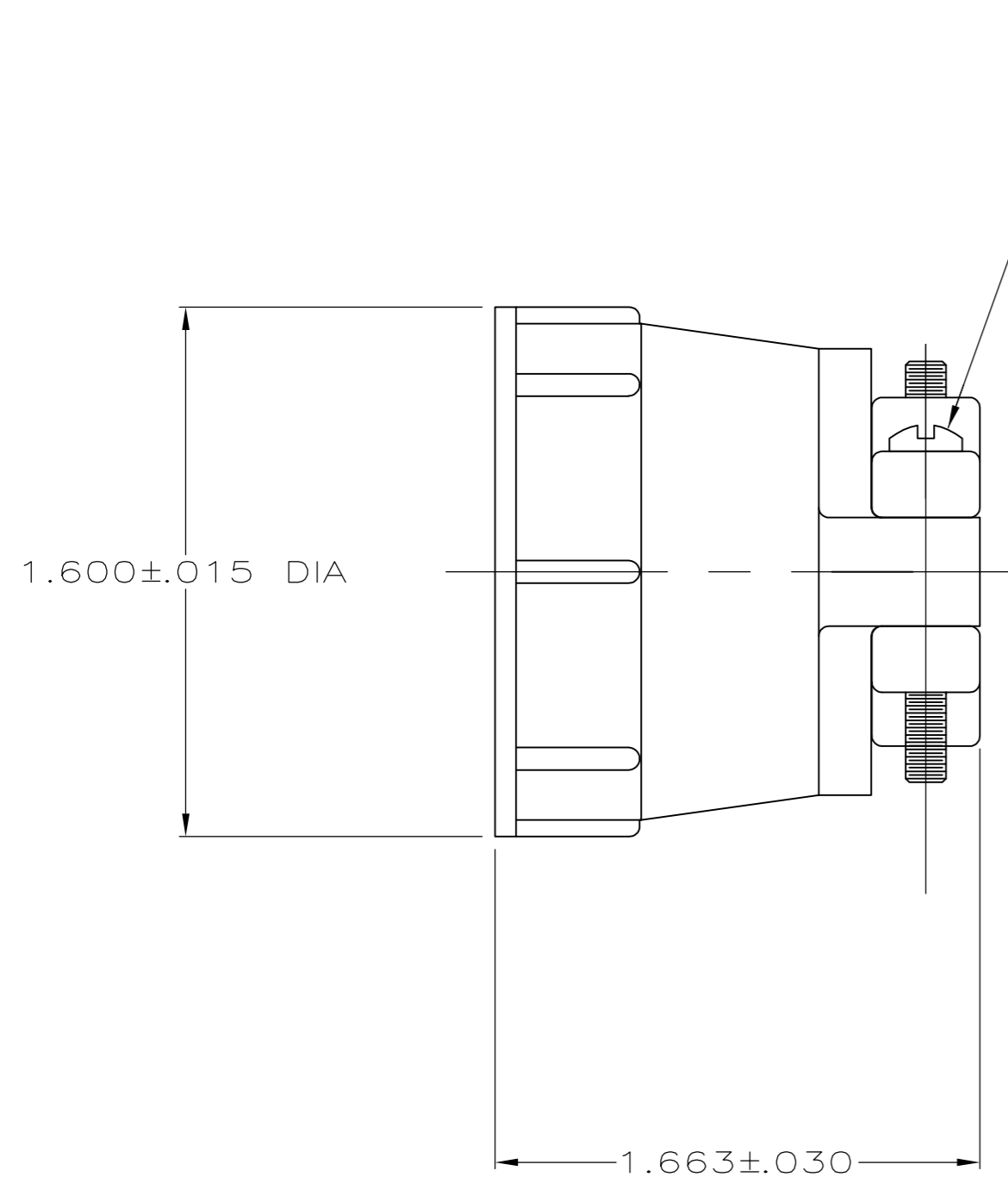
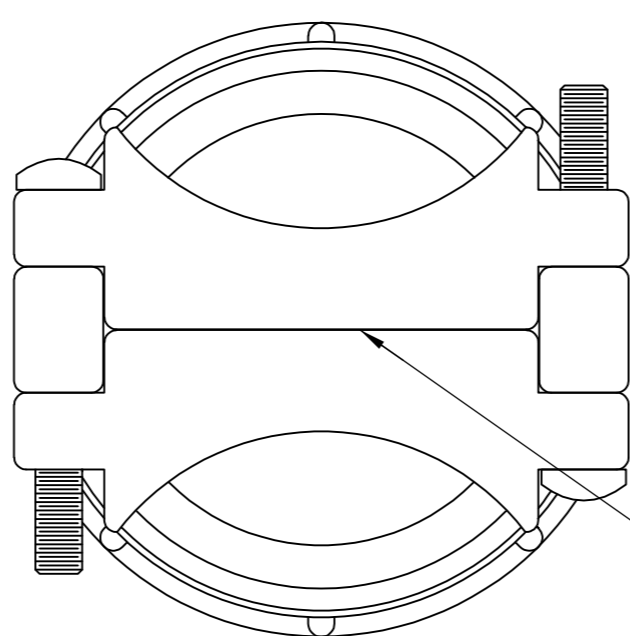


THIS DRAWING IS UNPUBLISHED. RELEASED FOR PUBLICATION
 © COPYRIGHT - By - ALL RIGHTS RESERVED.

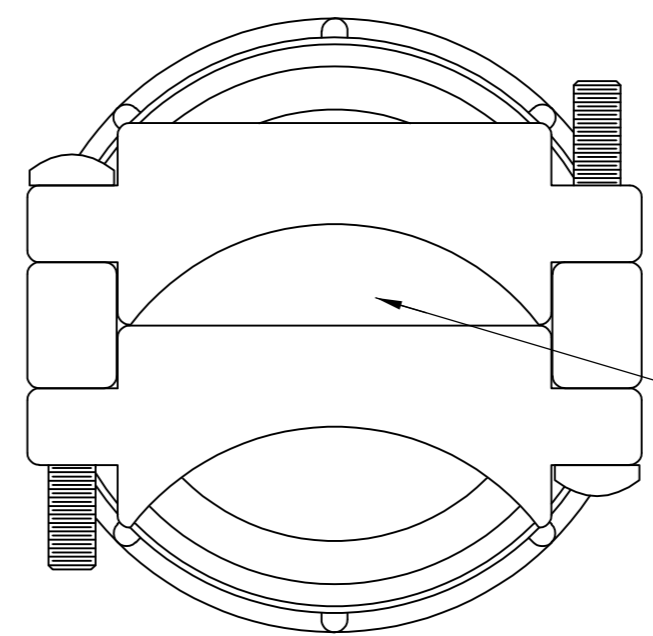
LOC	DIST	REVISIONS			
P	LTR	DESCRIPTION	DATE	DWN	APVD
BD	0	E1	REVISED PER ECO-11-004820	11MAR11	RK HMR



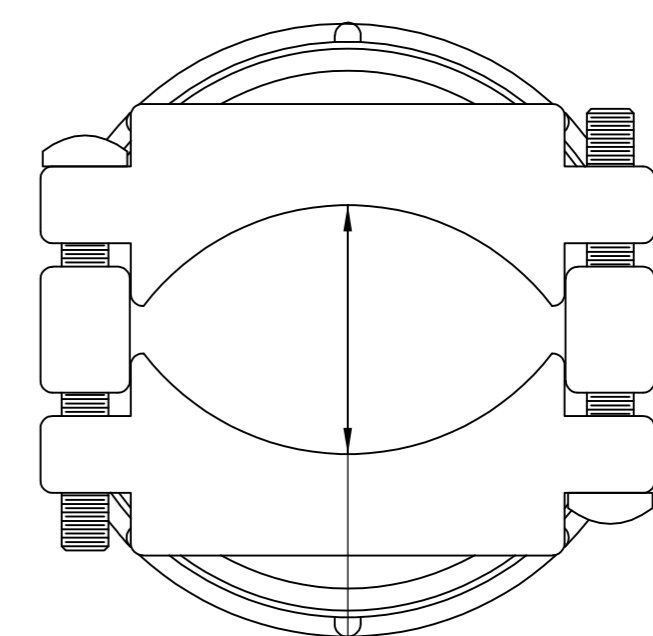
(2) #5-20 SELF-TAPPING SCREWS,
 SOLID OR SLOTTED SHANK.
 MATERIAL: ZINC PLATED STEEL
 LENGTH: 1.00 ± .005



MINIMUM



INTERMEDIATE



MAXIMUM

- 1 PARTS PACKAGED UNASSEMBLED.
- 2 CABLE CLAMPING AREA ADJUSTABLE FROM .000 TO .652 SQ IN, MAX CABLE DIA = 1.125 INCHES. TWO CLAMPING INSERTS SUPPLIED WITH ASSEMBLY, CLAMPING SREA DETERMINED BY POSITION OF INSERTS AS SHOWN AT RIGHT.
- 3 BULK PACKAGED KITS TO BE ORDERED IN MULTIPLES OF 250 ONLY.
- 4 SCREWS NON-HEXAVALENT CHROMATE COATED.

4	3	BULK	207774-4
4		INDIVIDUAL	207774-3
4	3	BULK	207774-2
4		INDIVIDUAL	207774-1
		PACKAGING	PART NUMBER

THIS DRAWING IS A CONTROLLED DOCUMENT.		DWN	4-3-91	A.STAUB BG	
DIMENSIONS: INCHES		CHK	7-23-92	W.G.LENKER	
TOLERANCES UNLESS OTHERWISE SPECIFIED:		APVD	-	NAME	
0 PLC ± -		PRODUCT SPEC	108-10024	CABLE CLAMP KIT, SELF CENTERING, SHELL SIZE 23, CPC	
1 PLC ± -		APPLICATION SPEC	-	SIZE	A2
2 PLC ± -		WEIGHT	-	CAGE CODE	00779
3 PLC ± -		MATERIAL	THERMOPLASTIC	DRAWING NO	C=207774
4 PLC ± -		FINISH	-	RESTRICTED TO	-
ANGLES ± -		CUSTOMER DRAWING	SCALE	2:1	SHEET
				1	OF 1
				REV	E1