

Cone Bezel or Prominent Bezel Indicator

[Key Characteristics

Functional

- 8mm mounting
- 80° viewing angle
- Standard protective reflective (cone bezel)

Resilient

- IP66 and IP67 sealed
- -40°C to +85°C operating and storage temp

Adaptable

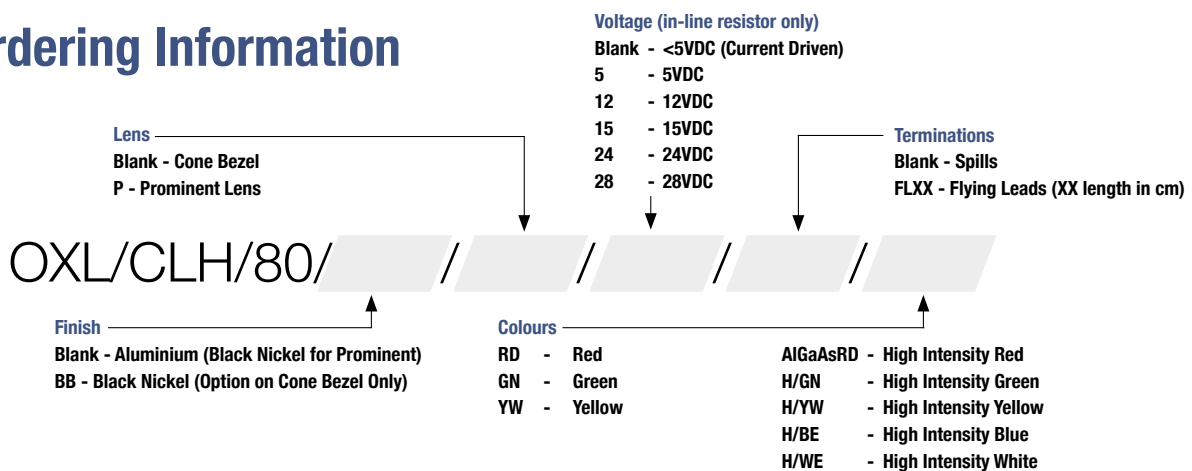
- Full colour range
- Voltage and current options
- Customer specials on request



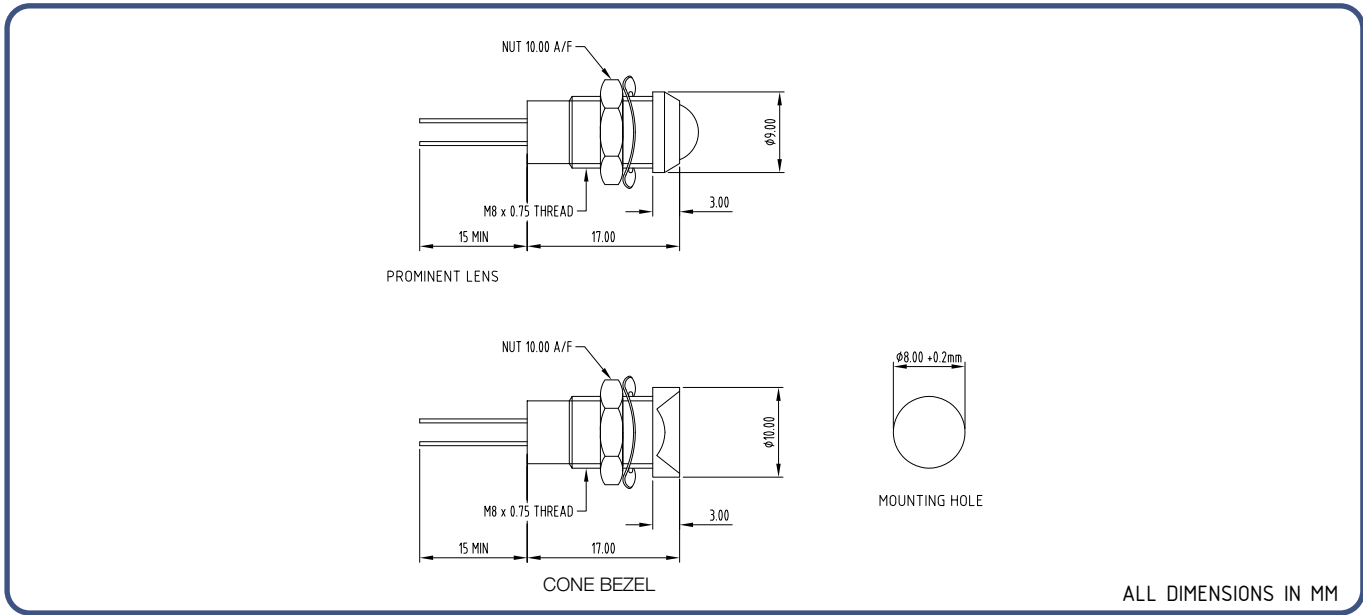
[Specifications

COLOURS									
Luminous Intensity	mcd	White	Red	Yellow	Green	Blue	Voltage		Current (mA)
							Forward	Reverse	
Std	200	X	✓	X	X	X	1.9	5	20
	200	X	X	✓	X	X	2.1	5	20
	200	X	X	X	✓	X	2.2	5	20
	150	X	✓	✓	✓	X	5,12,15,24,28	5,12,15,24,28	15
High Intensity	800	X	✓	X	X	X	1.9	5	20
	2500	X	X	✓	X	X	2.1	5	20
	5000	✓	X	X	✓	X	3.3	5	20
	1500	X	X	X	X	✓	3.3	5	20
	600	X	✓	X	X	X	5,12,15,24,28	5,12,15,24,28	15
	2000	X	X	✓	X	X	5,12,15,24,28	5,12,15,24,28	15
	4000	✓	X	X	✓	X	5,12,15,24,28	5,12,15,24,28	15
	1200	X	X	X	X	✓	5,12,15,24,28	5,12,15,24,28	15

[Ordering Information



Example: OXL/CLH/80/GN – Aluminum Finish, Current Driven, Spills, Standard Intensity Green
 Example: OXL/CLH/80/5/FL99/H/GN – Aluminum Finish, 5VDC, Flying Leads 99cm, High Intensity Green



ALL DIMENSIONS IN MM

Technical Information

Terminations	Flying Leads Copper wire PVC Insulation/Spills, Iron Alloy Silver Plated
Body	Prominent Lens - Aluminium Alloy, Black Nickel Finish Cone Bezel - Aluminium Alloy, Optional Black Nickel
Lens	LED Dome
Nut	Aluminium Alloy
Washer	BeCu. Tin Plated
Chassis Thickness	1mm to 5mm
Mounting Hole	8mm \pm 0.2mm
Recommended Mounting Torque	1Nm
Mean Time Before Failure	90,000 Hours

Termination Options

Flying Leads

Spills

Lens Options

Cone Bezel

Prominent

