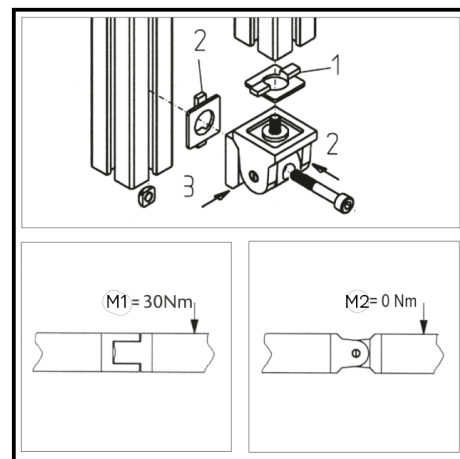
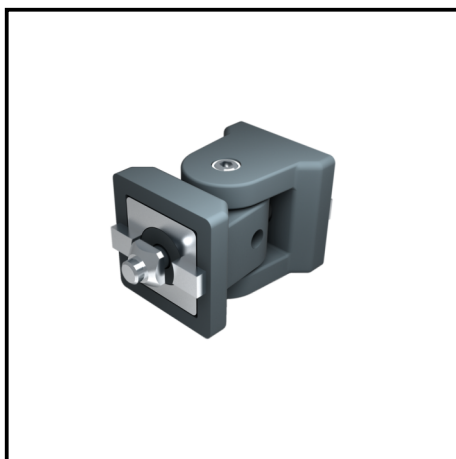
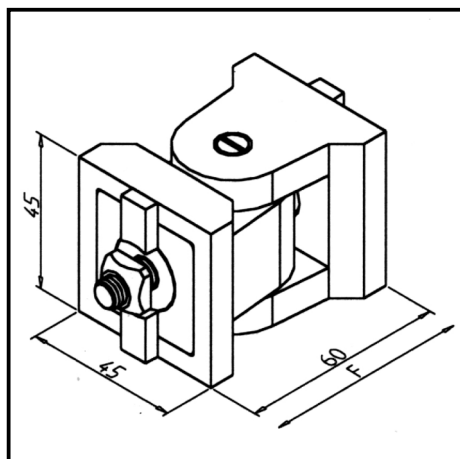


SWIVEL LINK 45

Article Nr. 21.2020/0

See the product on the website →

Download CAD Files →



TECHN. DATA / ITEMS SUPPLIED

- Aluminium, Pressure die-casting, powder-coated, grey
- With fastening material steel, zinc plated
- With low-friction sliding bearing
- Anti-rotation device AL GD
- Load F_{\max} 1500 N
- For use on vertical struts, swivel link **part no.** 21.2020/7 (square nuts with position fixing)
- Weight = 0.240 kg/piece

APPLICATIONS

- Heavy duty swing doors, storage of moving parts
- Not lockable
- For heavy loads use multiple hinges

ASSEMBLY

- 1: Joint half with pre-mounted screw to desired position fasten
- 2: Insert screw from items included and fix link half 2 (to do so, swing movable side by approx. 90°, do not undo hinge pins!)