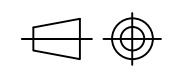


Drawing Number	DRG NO Development ONLY	Issue PB
Part Number	PART NO Development ONLY	

THE COPYRIGHT IN THIS DRG. IS THE PROPERTY OF HOSIDEN BESSON AND THE DRG. IS ISSUED ON CONDITION THAT IT IS NOT COPIED REPRINTED OR REPRODUCED NOR ITS CONTENTS DISCLOSED EITHER WHOLLY OR IN PART TO ANY THIRD PARTY WITHOUT CONSENT IN WRITING FROM HOSIDEN BESSON LTD.

PRODUCT TO CONFORM TO EU DIRECTIVES 2002/95/EC RESTRICTION OF HAZARDOUS SUBSTANCES (RoHS) AND DIRECTIVE 2002/96/EC WASTE ELECTRICAL AND ELECTRONIC EQUIPMENT AND BE MARKED ACCORDINGLY ON PRODUCT AND PAPERWORK.

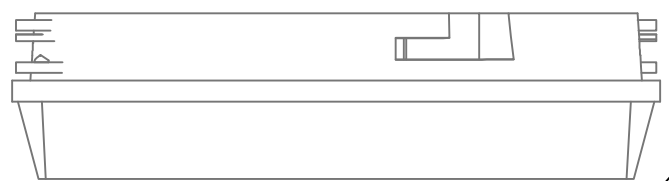
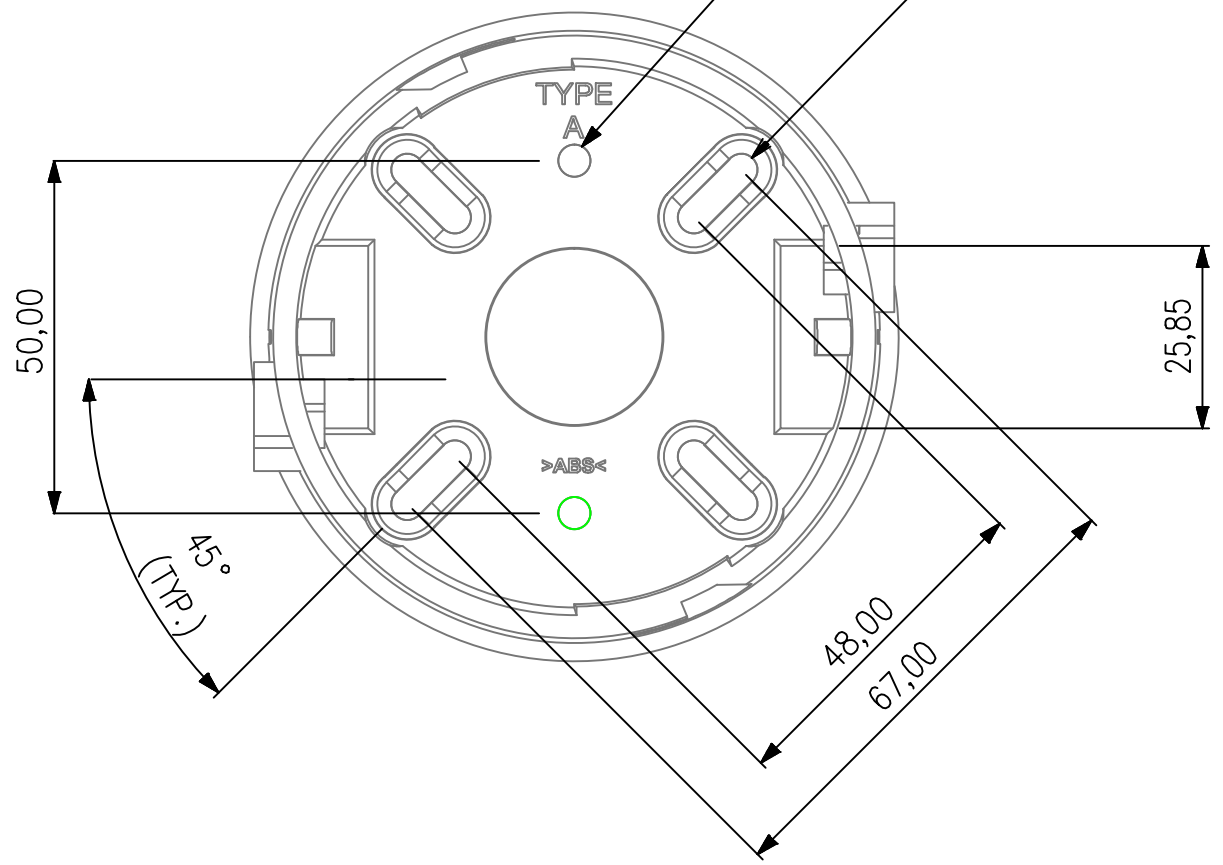
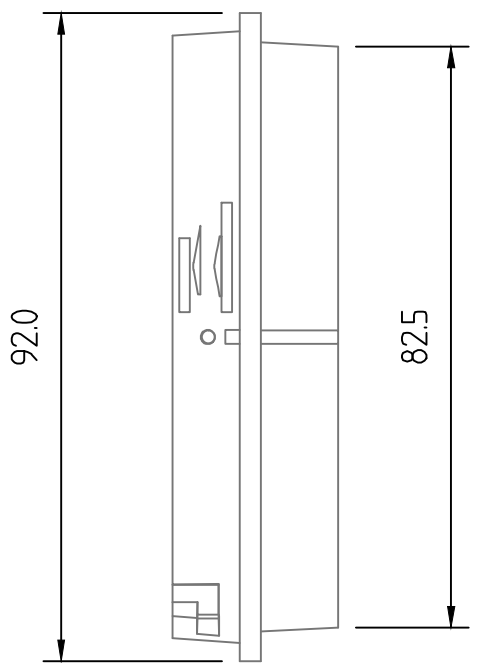
PROJECTION: FIRST ANGLE



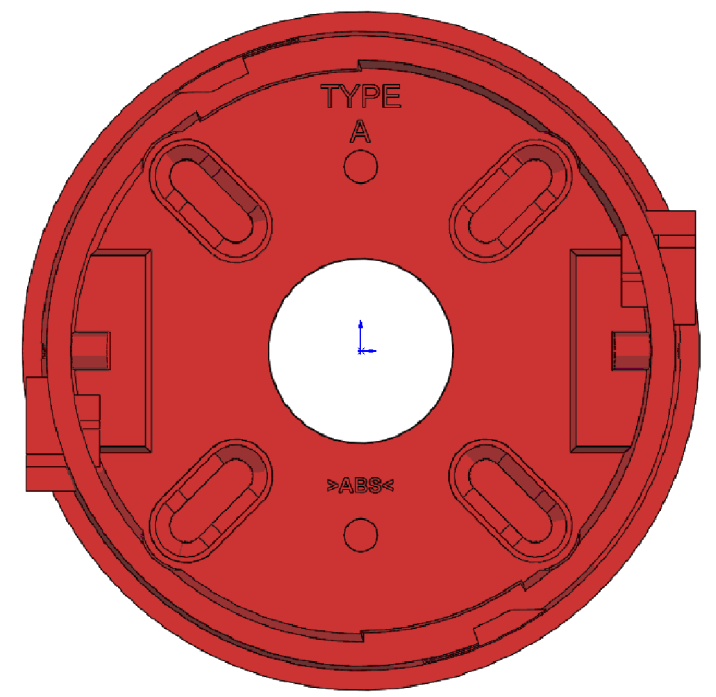
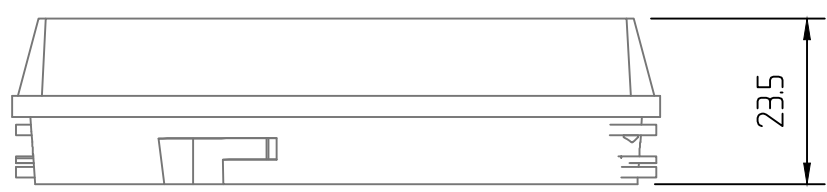
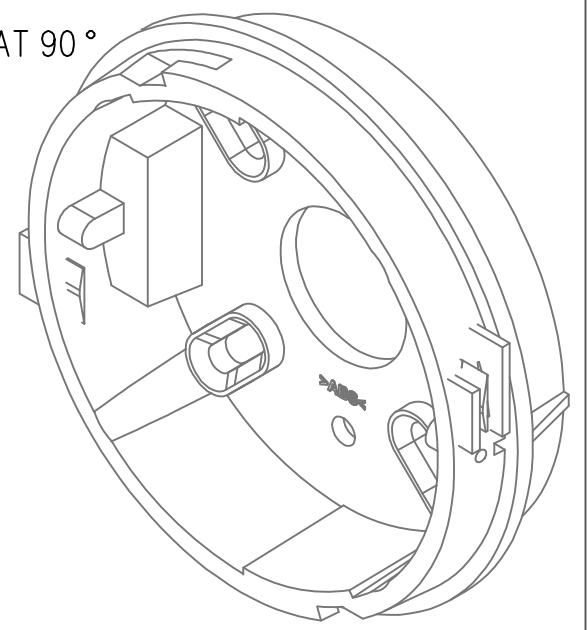
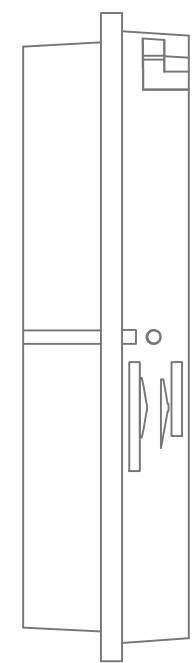
IF THIS DRAWING DOES NOT HAVE A RED STAMPED IDENTITY IT IS AN UNCONTROLLED COPY.

Notified body certificated product
No modifications permitted without reference to the Notified body.

IF IN DOUBT - ASK

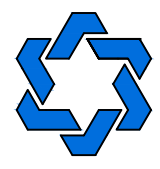


SLOT 4.50 WIDE CSK TO DIA. 8.50 AT 90°
DEPTH OF SLOT 5.30(4 POS'NS)



REMOVE BURRS & SHARP EDGES

PB					12/08/2011
ISS	Development ONLY		INIT		17/09/2009
Issue	Revision	Change Note	Init	Date	



Hosiden Besson Ltd.
11 St. Joseph's Close, Hove, East Sussex BN3 7EZ, England
Tel: General (01273) 860000. International 44 1273 860000
Sales (01273) 861166. Fax: (01273) 777501.

MATERIAL : ABS RONFALIN VE-820
FINNISH : ALL FACES TO BE POLISHED

ALL DIMENSIONS ARE IN MM
METRIC TOLERANCES UNSPECIFIED
±0.1 Dim to 2 dec places
±0.2 Dim to 1 dec place
±2° Angular

Drawn Andy Ault
Checked Development ONLY
Approved Development ONLY
SCALE 1:1
Zero Defects

MULTI-TONE SOUNDER
STANDARD BASE MOULDING
Development ONLY
Drawing Number ; Development ONLY
Issue PB A3