

Label 15 mm for RT and RY relay



General technical data	
Display version LED	No
<ul style="list-style-type: none"> <li>• Protection class IP</li> </ul>	IP00
Design of the switching function positively driven	No
Reference code acc. to DIN EN 81346-2	C
Product component Plug-in socket	No
Auxiliary circuit	
Number of NC contacts for auxiliary contacts	0
Number of NO contacts for auxiliary contacts	0
Number of CO contacts <ul style="list-style-type: none"> <li>• for auxiliary contacts</li> </ul>	0
Connections/ Terminals	
Product function <ul style="list-style-type: none"> <li>• removable terminal</li> </ul>	No
Installation/ mounting/ dimensions	
<ul style="list-style-type: none"> <li>• mounting position</li> </ul>	any
Height	8 mm
Width	15 mm

Depth	8.5 mm
-------	--------

### Ambient conditions

<b>Ambient temperature</b>	
• during operation	-40 ... +70 °C
• during storage	-20 ... +70 °C
• during transport	-20 ... +70 °C

### Certificates/ approvals

General Product Approval	Declaration of Con- formity	other
--------------------------	--------------------------------	-------



[Miscellaneous](#)

[Confirmation](#)

### Further information

**Information- and Downloadcenter (Catalogs, Brochures,...)**

<https://www.siemens.com/ic10>

**Industry Mall (Online ordering system)**

<https://mall.industry.siemens.com/mall/en/en/Catalog/product?mlfb=LZS:RT17040>

**Cax online generator**

<http://support.automation.siemens.com/WW/CAXorder/default.aspx?lang=en&mlfb=LZS:RT17040>

**Service&Support (Manuals, Certificates, Characteristics, FAQs,...)**

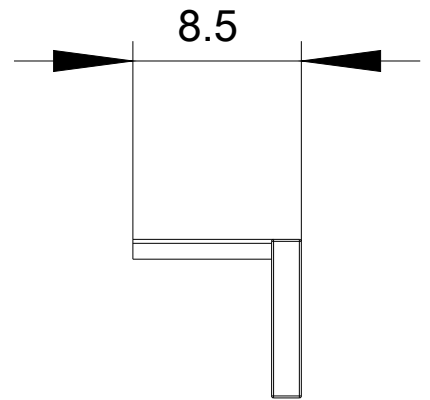
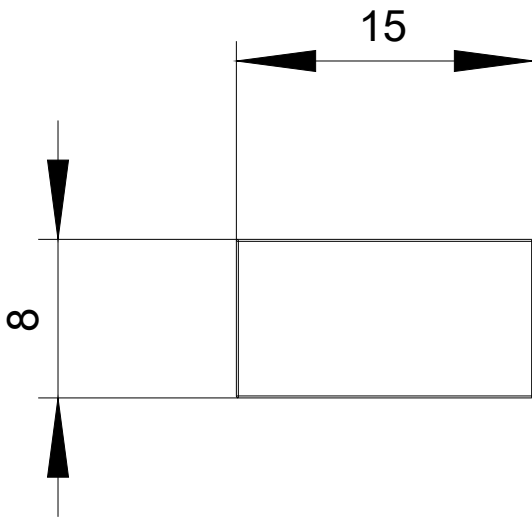
<https://support.industry.siemens.com/cs/ww/en/ps/LZS:RT17040>

**Image database (product images, 2D dimension drawings, 3D models, device circuit diagrams, EPLAN macros, ...)**

[http://www.automation.siemens.com/bilddb/cax\\_de.aspx?mlfb=LZS:RT17040&lang=en](http://www.automation.siemens.com/bilddb/cax_de.aspx?mlfb=LZS:RT17040&lang=en)

**Characteristic: Derating**

<https://support.industry.siemens.com/cs/ww/en/ps/LZS:RT17040/manual>



last modified:

09/24/2020