

CONTENTS

Page

1. Description, use	1
2. Range, Cat. No. equivalence table	1
3. Dimensions	1
4. Positioning - Connection	2
5. General characteristics	4
6. Compliance and approvals	5

1. DESCRIPTION, USE

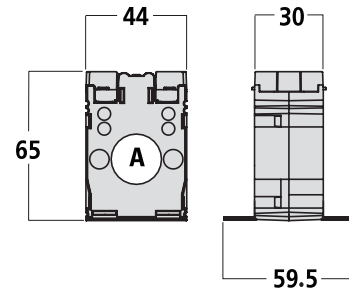
Closed-type single-phase current transformers.
Used with ammeters, electricity meters or measurement control units.
For mounting on copper or aluminium cables or busbars.
Provide a 5 A current at the secondary, proportional to the primary current
For fixing on a plate, on EN 60715 symmetrical rail or busbar
Secondary connected by terminals or lugs
Accuracy class 0.5 – 1 – 3

2. RANGE, CAT. NO. EQUIVALENCE TABLE

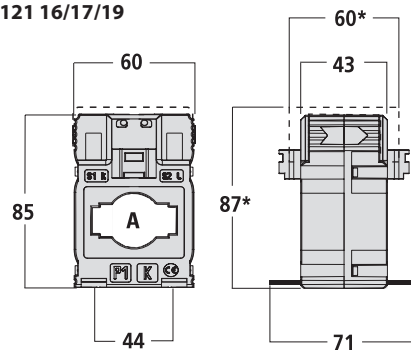
Cat. No.	Rating (A)	Equivalence to old Cat. Nos.
4 121 01	50	004631
4 121 02	75	-
4 121 03	100	004634
4 121 04	125	-
4 121 05	160	-
4 121 06	200	004636
4 121 07	250	-
4 121 16	250	-
4 121 17	400	-
4 121 19	700	-
4 121 12	400	-
4 121 14	600	-
4 121 23	250	-
4 121 24	300	-
4 121 25	400	004638
4 121 26	600	-
4 121 31	700	-
4 121 32	800	-
4 121 33	1000	-
4 121 36	600	004776
4 121 38	800	004777
4 121 39	1000	004778
4 121 42	1250	004779
4 121 46	1600	-
4 121 47	2000	004646

3. DIMENSIONS

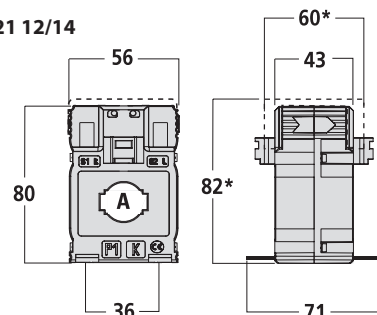
Cat. Nos. 4 121 01/02/03/04/05/06/07



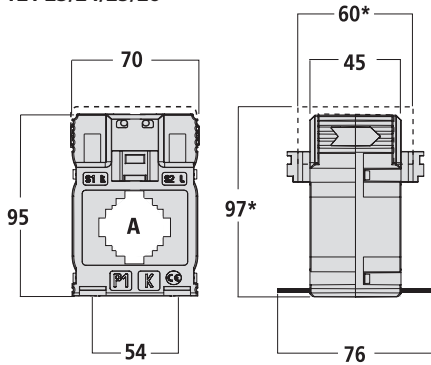
Cat. Nos. 4 121 16/17/19



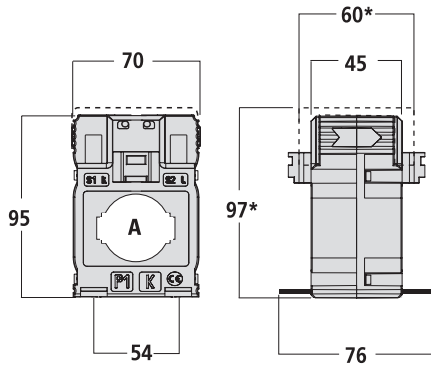
Cat. Nos. 4 121 12/14



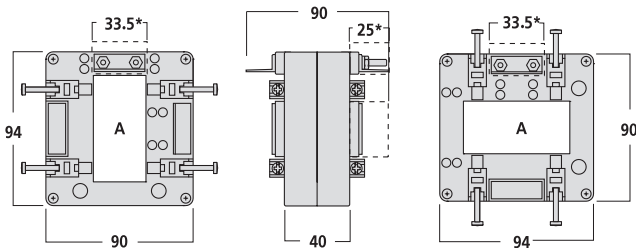
Cat. Nos. 4 121 23/24/25/26



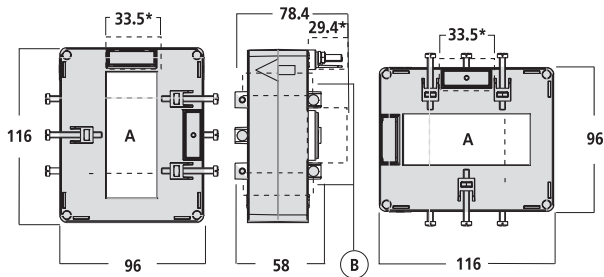
Cat. Nos. 4 121 31/32/33



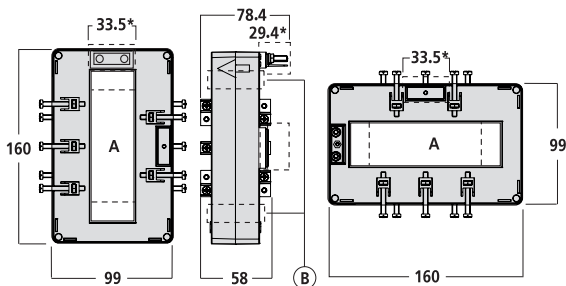
Cat. Nos. 4 121 36/38/39



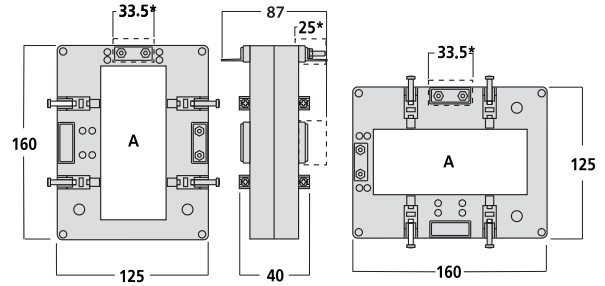
Cat. No. 4 121 42



Cat. Nos. 4 121 46/47/49



Cat. Nos. 4 121 50/51/52/53/54

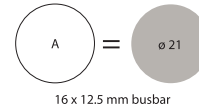


4. POSITIONING - CONNECTION

4.1 Conductor dimensions

The current transformer rating is selected according to the conductor dimensions, but also according to the maximum prospective current in the circuit to be measured. In order to minimise measurement errors, the rating must be selected as close as possible to this value. CTs cannot be used with a DC supply.

Cat. Nos. 4 121 01/02/03/04/05/06/07 for cable and busbar:



Cat. Nos. 4 121 16/17/19 for cable and busbar:



Cat. Nos. 4 121 12/14 for cable and busbar:



Cat. Nos. 4 121 23/24/25/26 for cable and busbar:



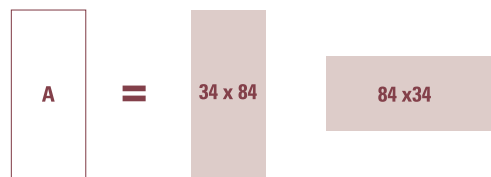
Cat. Nos. 4 121 31/32/33 for cable and busbar:



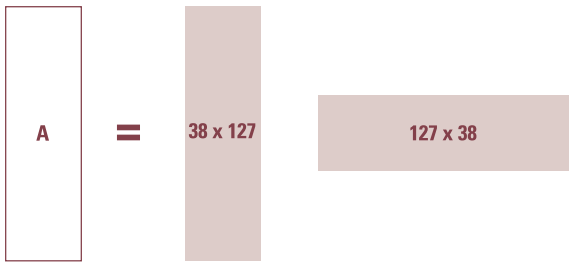
Cat. Nos. 4 121 36/38/39 for busbar:



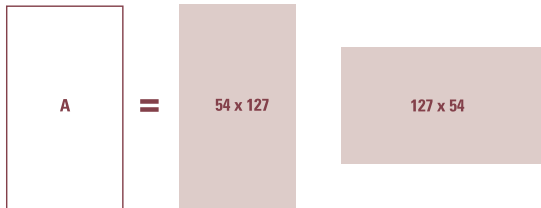
Cat. No. 4 121 42 for busbar:



Cat. Nos. 4 121 46/47/49 for busbar:



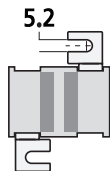
Cat. Nos. 4 121 50/51/52/53/54 for busbar:



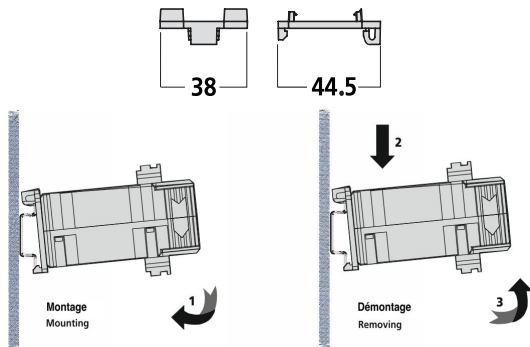
4.2 Fixing type

Current transformers are available with several types of fixing. CTs taking cables can be clipped onto DIN rails. Others, which take busbars, should be fixed in place by tightening the dedicated screw. They can also be fixed on a plate using the fixing points on the bottom.

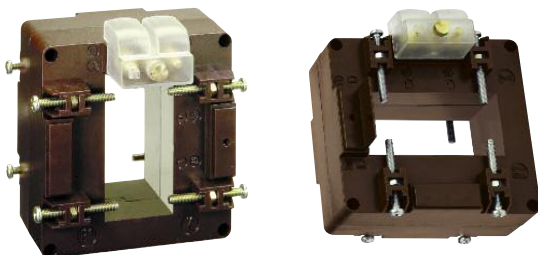
Fixing with screws supplied for Cat. Nos. 4 121 01/02/03/04/05/06/07/
16/17/19/12/14/23/24/25/26/31/32/33



Fixing on EN 60715 rail (plate supplied) for Cat. Nos. 4 121 01/02/
03/04/05/06/07/16/17/19/12/14/23/24/25/26/31/32/33



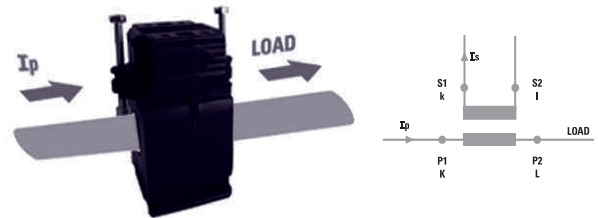
Fixing on vertical or horizontal busbar for Cat. Nos. 4 121 36/38/39/
42/46/47/49/50/51/52/53/54



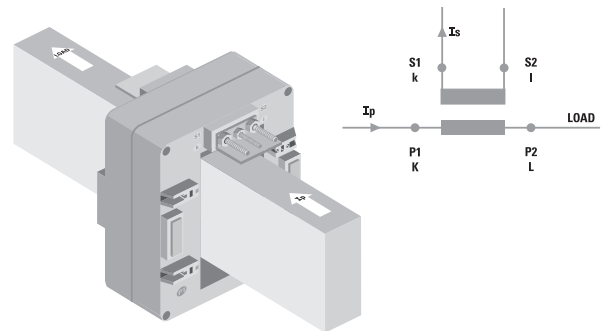
4.3 Connection diagram

The secondary terminals (S1 and S2) should be connected to the corresponding inputs on the measuring device (meter or control unit). The value sent to the meter or measurement control unit depends on the direction of mounting on the busbar or cable. To avoid errors, it is essential to make sure that the CT is in the right position. The current flow must enter at P1 (coming from the source) and exit at P2 (going towards the load).

Cat. Nos. 4 121 01/02/03/04/05/06/07/16/17/19/12/14/23/24/25/26/
31/32/33



Cat. Nos. 4 121 36/38/39/42/46/47/49/50/51/52/53/54



4.4 Integration guide for HX³ and VX³ connection kits

Kit Cat. No.	CT Cat. No.
HX ³ /VX ³ prefabricated connection kits in an XL ³ 400 enclosure	
4 044 40	4 121 05
4 044 55	4 121 07
4 044 87	
HX ³ /VX ³ prefabricated connection kits in an XL ³ 800/4000 enclosure	
4 044 63	4 121 19
4 044 64	4 121 33
4 044 65	4 121 19
4 044 72	4 121 38
4 044 74	4 121 07
4 044 75	4 121 19
4 044 76	4 121 33
4 044 86	4 121 17
HX ³ /VX ³ prefabricated connection kits in an XL ³ 4000 enclosure	
4 045 30	4 121 38
4 045 31	
4 045 40	4 121 05
4 045 41	4 121 07
4 045 43	4 121 25
4 045 50	4 121 05
4 045 51	4 121 07
4 045 53	4 121 25
4 045 60	4 121 05

Kit Cat. No.	CT Cat. No.
HX ³ /VX ³ prefabricated connection kits in an XL ³ 4000 enclosure	
4 044 61	4 121 07
4 044 62	4 121 19
4 044 63	4 121 25
VX ³ connection kits for transfer in an XL ³ 4000 enclosure	
4 043 80	4 121 46
4 043 81	
4 043 82	
4 043 83	
4 043 84	
4,043 64	
4,043 65	
4,043 66	
4,043 67	
4,043 68	4 121 46
4,043 69	
4,043 70	
4,043 71	
4,043 60	
4,043 61	4 121 49
4,043 62	4 121 54
4,043 63	4 121 54
IS 233/333 VX ³ bases for devices	
4 046 20/21/31 4 046 40/41/51	4 121 05
4 046 22/23/33 4 046 42/43/53	4 121 07
4 046 26/27/36/37 4 046 46/47/56/57	4 121 32
4 046 90	4 121 42
4 046 92	

5. GENERAL CHARACTERISTICS

5.1 Technical characteristics

Protection class (EN 60529):

- Case: IP20
- Terminals: IP00 (IP20 with sealable terminal shield)

96 hour salt spray resistance (red rust)

Rated frequency: 50 Hz

Operating frequency: 47 to 63 Hz

Continuous rated thermal current in accordance with standard EN 60044-1

Rated thermal short-circuit current: $I_{th} < 60 I_n$

Rated dynamic current: $I_{dyn} = 2.5 I_{th}$

Safety factor (SF): ≤ 5

Rated secondary current: $I_{SN} = 5 A$

Rated burden: see table 1

Accuracy class: see table 1

Maximum dissipated power:

- 4 121 01/02/03/04/05/06/07: $\leq 3 W$
- 4 121 16/17/19: $\leq 11.5 W$
- 4 121 12/14: $\leq 7 W$
- 4 121 23/24/25/26: $\leq 9 W$
- 4 121 31/32/33: $\leq 10.5 W$

4 121 36/38/39: $\leq 20 W$

4 121 42: $\leq 19 W$

4 121 46/47/49/50/51/52/53/54: $\leq 23 W$

Table 1

Cat. No.	Rating (A)	CI 0.5/VA	CI 1/VA	CI 3/VA
4 121 01	50/5 A	-	1	1.5
4 121 02	75/5 A	-	1.5	2.5
4 121 03	100/5 A	1.5	2.5	3.5
4 121 04	125/5 A	2	3.5	4
4 121 05	160/5 A	3	4	5
4 121 06	200/5 A	4	5.5	6
4 121 07	250/5 A	5	6	7
4 121 16	250/5 A	3	4	-
4 121 17	400/5 A	6	8	-
4 121 19	700/5 A	8	10	-
4 121 12	400/5 A	10	12	-
4 121 14	600/5 A	15	20	-
4 121 23	250/5 A	3	5	-
4 121 24	300/5 A	5	8	-
4 121 25	400/5 A	8	10	-
4 121 26	600/5 A	12	15	-
4 121 31	700/5 A	8	10	-
4 121 32	800/5 A	8	12	-
4 121 33	1000/5 A	10	12	-
4 121 36	600/5 A	8	12	-
4 121 38	800/5 A	12	15	-
4 121 39	1000/5 A	15	20	-
4 121 42	1250/5 A	12	15	-
4 121 46	1600/5 A	10	15	-
4 121 47	2000/5 A	15	20	-
4 121 49	3200/5 A	25	30	-
4 121 50	1600/5 A	20	30	-
4 121 51	2000/5 A	25	30	-
4 121 52	2500/5 A	30	50	-
4 121 53	3200/5 A	30	50	-
4 121 54	4000/5 A	30	50	-

5.2 Insulation characteristics

Air-insulated dry-type transformer

Maximum insulation voltage: $U_m = 0.72 kV$ rms value

Rated insulation voltage level: 3 kV rms value 50 Hz/1 min

Insulation class (EN 60044-1): B

5.3 Usage conditions

Non-exposed installation (EN 60044-1)

Reference temperature: $23^\circ C \pm 1^\circ C$

Usage temperature: -25 to $50^\circ C$ **except for 4 121 36/38/39/42/46/47/49/50/51/52/53/54**: -25 to $50^\circ C$ ($I_{pn} < 1000 A$); -25 to $40^\circ C$ ($I_{pn} \geq 1000 A$)

Daily average temperature: $\leq 30^\circ C$

Storage temperature: -40 to $85^\circ C$

Relative humidity: $\leq 85\%$

Suitable for use in tropical climates

5.4 Limits of current error and phase displacement (EN 60044-1)

For class 0.5 - 1 the current error and phase displacement at rated frequency must not exceed the value stated in the table when the secondary winding represents a value from 25% to 100% of the rated burden.

For class 3 - the current error and phase displacement at rated frequency must not exceed the value stated in the table when the secondary winding represents a value from 50% to 100% of the rated burden.

Table 2

Accuracy class	% current error (ratio) (±) as a percentage of the rated current stated below				
	5	20	50	100	120
0.5	1.5	0.75	-	0.5	0.5
1	3.0	1.5	-	1.0	1.0
3	-	-	3	-	3

5.5 Materials

Cases made of self-extinguishing polycarbonate, V0 classification according to UL 94

Cat. Nos. 4 121 01/02/03/04/05/06/07

Core: steel
Flange: PA
Winding: copper wire
Screws: brass
Half-shells: PC
Terminal shield: PC
Rail-fixing plate: PC
Lug for screw mounting: iron

Cat. Nos. 4 121 12/14/16/17/19/23/24/25/26/31/32/33

Core: steel
Flange: PA
Winding: copper wire
Terminals (blade + cage): iron
Cage structure: PC
Half-shells: PC
Nut: iron
Screws: iron
Ferrule for clamping onto busbar: PA
Rail-fixing plate: PC
Lug for screw mounting: iron

Cat. Nos. 4 121 36/38/39/42/46/47/49/50/51/52/53/54

Core: steel
Flange: PA
Winding: copper wire
Screws: brass and iron
Half-shells: PC
Washers: iron
Nut: brass and iron
Tie rod: brass
Terminal shield: PC
Ferrule for clamping onto busbar: PA
Shield: brass

5.6 Connection

Cat. Nos. 4 121 01/02/03/04/05/06/07

Primary: conducting cable
Max. tightening torque for the conducting primary busbar fixing screws: 0.2 Nm
Secondary: screw terminal block, max. 2 separate 2.5 mm² wires

Cat. Nos. 4 121 16/17/19/12/14/23/24/25/26/31/32/33

Primary: conducting busbar/cable
Busbar fixing: screws, with insulated terminals
Recommended tightening torque: 0.2 Nm
Secondary: 4 screw terminal blocks + 2 faston connectors
Faston connectors: 4.8 x 0.8 mm
Terminal block: max. cable cross-section 6 mm²
Recommended tightening torque: 1 Nm

Cat. Nos. 4 121 36/38/39/46/47/49

Primary: conducting busbar
Max. tightening torque for the conducting primary busbar fixing screws: 0.2 Nm
Secondary: connected by lugs, tightened with M4 nut

Cat. Nos. 4 121 42/50/51/52/53/54

Primary: conducting cable
Max. tightening torque for the conducting primary busbar fixing screws: 0.2 Nm
Secondary: connected by lugs, tightened with M4 nut

7 Weight

Cat. No.	Weight (g)	Cat. No.	Weight (g)	
4 121 01	180	4 121 31	320	
4 121 02		4 121 32		
4 121 03		4 121 33		
4 121 04		750	4 121 36	750
4 121 05			4 121 38	
4 121 06			4 121 39	
4 121 07			4 121 42	
4 121 16	300	4 121 46	1500	
4 121 17		4 121 47		
4 121 19		4 121 49		
4 121 12	260	4 121 50	1300	
4 121 14		4 121 51		
4 121 23	420	4 121 52		
4 121 24		4 121 53		
4 121 25		4 121 54		
4 121 26		-		-

6. GENERAL CHARACTERISTICS

Compliant with the following standards:

EN 60044-1
EN 60529

Compliant with the following directives:

REACH
RoHS