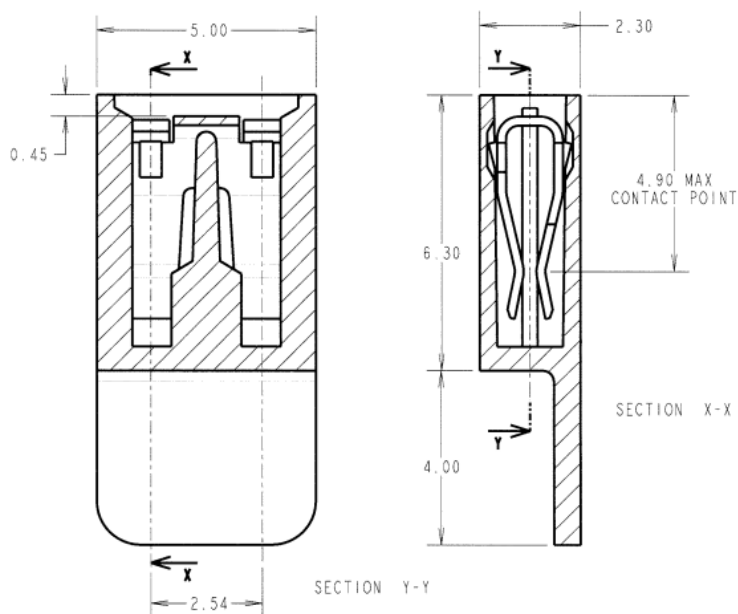


Datasheet

Female Straight Black Closed Top, Handle Pull 2.54mm Pitch

RS Stock number [217-873](#)



NOTES:
1. MATING PIN = 0.64mm SQUARE.
2. FOR COMPLETE SPECIFICATIONS, SEE COMPONENT SPECIFICATION C003XX (LATEST ISSUE).

Specifications

Material

Moulding: Glass filled polyester UL94V-0

Clip :Phosphor Bronze

Finish : 05 = 0.13 gold 06=3 0/10 tin/lead 45= 3 100% tin

Mechanical

Insertion Force: 12.5N max

Withdrawal Force: 1.0N min

Durability: 50 operations (tin), 300 operations (gold)

Electrical

Current Rating: 3A max

Voltage Rating: 250V AC/DC

Contact Resistance: 30mΩmax (tin) 25mΩmax (gold)

Insulation Resistance: 1000mΩmin

Dielectric Withstanding: 500V AC for 1 min

Environmental

Temperature Range: 40°C to +85°C