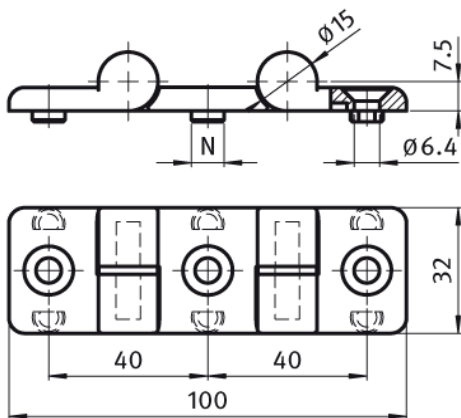


Plastic Hinge, Double

Detachable
Description To connect aluminum profiles
Material Wings: Nylon PA, glass filled reinforced
 Bolt: Stainless steel
Color Black
Fastening From the front, using M6 countersunk screws



For Profile 40, groove size 8 system ONLY

N	Weight [g]	F_{Amax} [N]	F_{Rmax} [N]
8	34.0	100	200

RS Article no.	Product Description	Compatible with groove size	Product system	Structural element type
7675780	Plastic Hinge, 32x100, 40, dual-hinge	8	40	Hinge