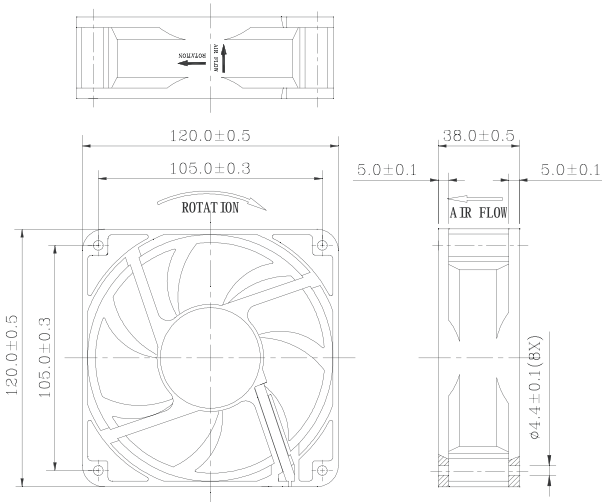
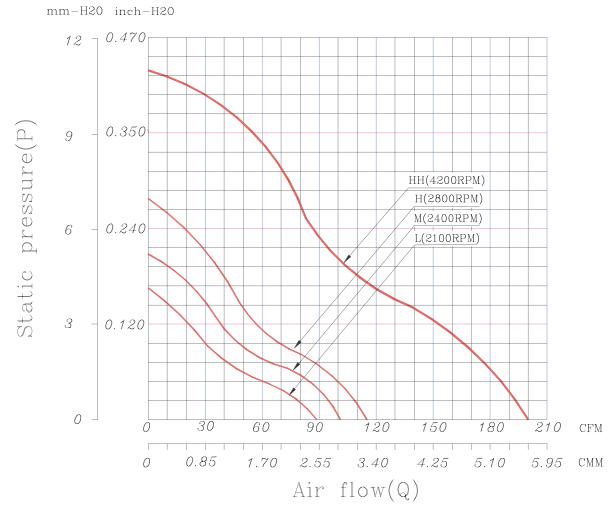


120 x 120 x 38 mm Series

Dimensions



Performance Curves



Air exhaust over struts. Rotational direction CCW looking at rotor

| Brushless DC Motor | Bearing Type |
|--------------------------|--|
| Housing: PBT 94V0 | <input type="radio"/> CeraDyna A |
| Impeller: PBT 94V0 | <input checked="" type="radio"/> 2-Ball |
| Weight: 270 g | <input type="radio"/> 1-Ball-1-Sleeve |
| Impedance protected | <input checked="" type="radio"/> Sleeve |
| Lead wire UL 1007 AWG 24 | * Please contact us for CeraDyna-C availability. |

| Function options | |
|--|---|
| <input checked="" type="radio"/> Frequency Generator | <input checked="" type="radio"/> Auto Restart |
| <input checked="" type="radio"/> Temperature Control | <input checked="" type="radio"/> Rotation Detection |

* Please contact us for PWM function availability.

* **Safety Approval: CE, UL, TUV**

* All fans are with electronic protection against reverse polarity. The fan only operates when the polarity is correct.

Specifications

| Model | Rated Voltage (VDC) | Rated Current (Amp) | Input Power (Watts) | Nominal Speed (RPM) | Airflow (CFM) | Static Pressure (inch-H ₂ O) | Noise Level (dBA) |
|---------------|---------------------|---------------------|---------------------|---------------------|---------------|---|-------------------|
| FD1212-A00XXG | 12 | 1.65 | 19.8 | 4200 | 205.18 | 0.61 | 55.30 |
| FD1212-A10XXG | 12 | 0.60 | 7.20 | 2800 | 117.88 | 0.27 | 46.50 |
| FD1212-A20XXG | 12 | 0.45 | 5.40 | 2400 | 102.27 | 0.20 | 43.00 |
| FD1212-A30XXG | 12 | 0.35 | 4.20 | 2100 | 89.70 | 0.16 | 39.00 |
| FD2412-A10XXG | 24 | 0.35 | 8.40 | 2800 | 117.88 | 0.27 | 46.50 |
| FD2412-A20XXG | 24 | 0.25 | 6.0 | 2400 | 102.27 | 0.20 | 43.00 |
| FD2412-A30XXG | 24 | 0.20 | 4.80 | 2100 | 89.70 | 0.16 | 39.00 |
| FD4812-A10XXG | 48 | 0.20 | 9.60 | 2800 | 117.88 | 0.27 | 46.50 |
| FD4812-A20XXG | 48 | 0.16 | 7.68 | 2400 | 102.27 | 0.20 | 43.00 |
| FD4812-A30XXG | 48 | 0.13 | 6.24 | 2100 | 89.70 | 0.16 | 39.00 |

* All readings are typical value at rated voltage.

* Please refer to **PART NUMBER SYSTEM** for bearing type and part number

* Specifications are subject to change without prior notice.

* Please specify revision number when ordering.



European Thermodynamics Limited
Intelligent Thermal Management

<http://www.etdyn.com>
email: info@etdyn.com
3 Kingsley Business Park, New Road,
Kibworth Beauchamp
Leicestershire, LE8 0LE, UK

How to read the DC Fan part number

ACT-RX Technology Corporation

| | | | | | | | | | | |
|--|---|--|----------|--|---|---|----------|--|--|--|
| FD | 05 | 25 | - | A | 1 | 0 | 1 | 1 | A | |
| Model FD: DC Fan FW: DC Blower FH: High Performance DC Fan | Voltage 05: 5VDC 12: 12VDC 24: 24VDC 48: 48VDC | Frame Dimension 25: 25x25 mm 30: 30x30 mm 35: 35x35 mm 40: 40x40 mm 50: 50x50 mm or 51x51 mm 60: 60x60 mm 70: 70x70 mm 75: 75x75 mm 80: 80x80 mm 90: 92x92 mm 12: 120x120 mm 13: 127x127 mm | | Bearing A: CeraDyna A C: CeraDyna C B: 1-Ball-1-Sleeve D: 2-Ball S: Sleeve | Fan Speed 0: Super High 1: High 2: Medium 3: Low | Fan Revision 0: Rev. 1 1: Rev. 2 2: Rev. 3 3: Rev. 4 | | Protection/Function 1: Polarity protection (PP) 3: PP+3rd wire FG (Frequency Generator output) 4: PP+AR (Auto Restart) 5: PP+AR+3rd wire FG 6: PP+AR+3rd wire TC (Temperature Control) 7: PP+AR+3rd wire RD (Rotation Detection) 8: PP+AR+PWM (Pulse Width Modulation) | Connector 0: 4 pin daisy Chain 1: Lead wire 2: 2 pin 3: 3 pin 4: 4 pin | Frame Thickness A: 10 mm B: 12 mm C: 15 mm D: 20 mm E: 25 mm F: 33 mm G: 38 mm M: 28 mm |

How to read the AC Fan part number

ACT-RX Technology Corporation

| | | | | | | | | | | |
|----------------------------|---|--|----------|--|--|---|----------|---|---|--|
| FA | 7A | 12 | - | D | 10 | 0 | 1 | 1 | G | |
| Model FA: AC Fan | Voltage 1B: 100V/60Hz 4B: 120V/60Hz 7A: 230V/50Hz 9A: Dual Voltage (115V/60Hz~230V/50Hz) | Frame Dimension 80: 80x80 mm 90: 92x92 mm 12: 120x120 mm 17: 172x150 mm | | Bearing D: 2-Ball S: Sleeve | Fan Speed 1: High 2: Medium 3: Low | Fan Revision 0: Rev. 1 1: Rev. 2 2: Rev. 3 3: Rev. 4 | | Protection/Function 0: No protection 1: Polarity protection (PP) | Connector 1: Lead wire 9: Terminal | Frame Thickness E: 25 mm G: 38 mm K: 51 mm |