

## D-SUB contact insert - VS-25-BU-DSUB-FK - 1689925


Please be informed that the data shown in this PDF Document is generated from our Online Catalog. Please find the complete data in the user's documentation. Our General Terms of Use for Downloads are valid (<http://phoenixcontact.com/download>)



D-SUB contact insert, shell size 3, with 25 signal contacts, type of contact socket, flat-ribbon cable connection, angled, fixing with a 3 mm hole, for panel mounting frame VS-25-...



### Key Commercial Data

Packing unit	10 pc
GTIN	 4 017918 914325
Weight per Piece (excluding packing)	10.48 g
Custom tariff number	85366990
Country of origin	Germany

### Technical data

#### General data

Number of positions	25
Overvoltage category	III
Pollution degree	2

### Classifications

#### eCl@ss

eCl@ss 4.0	27140816
eCl@ss 4.1	27260701
eCl@ss 5.0	27260701
eCl@ss 5.1	27260701
eCl@ss 6.0	27261203
eCl@ss 7.0	27440202
eCl@ss 8.0	27440205

#### ETIM

ETIM 2.0	EC000437
----------	----------

# D-SUB contact insert - VS-25-BU-DSUB-FK - 1689925

## Classifications

### ETIM

ETIM 3.0	EC000437
ETIM 4.0	EC000438
ETIM 5.0	EC000438

### UNSPSC

UNSPSC 6.01	30211923
UNSPSC 7.0901	39121522
UNSPSC 11	39121522
UNSPSC 12.01	39121522
UNSPSC 13.2	39121522

## Approvals

### Approvals

---

Approvals

EAC

---

Ex Approvals

---

Approvals submitted

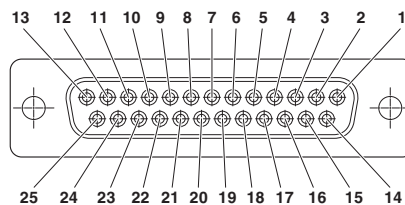
---

### Approval details

EAC
-----

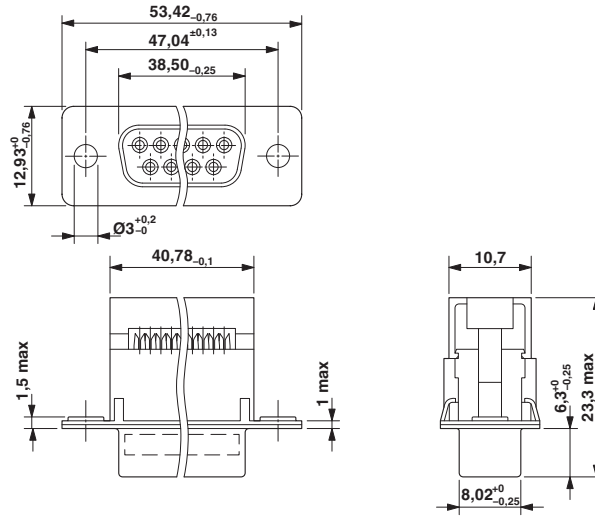
## Drawings

Schematic diagram



## D-SUB contact insert - VS-25-BU-DSUB-FK - 1689925

Dimensional drawing



D-SUB contact insert