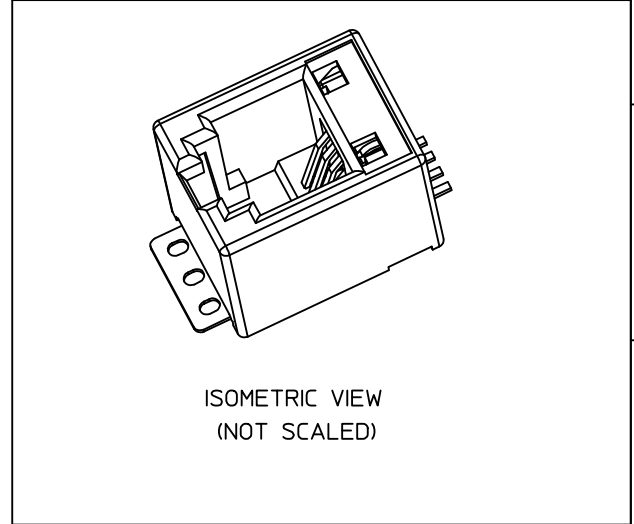
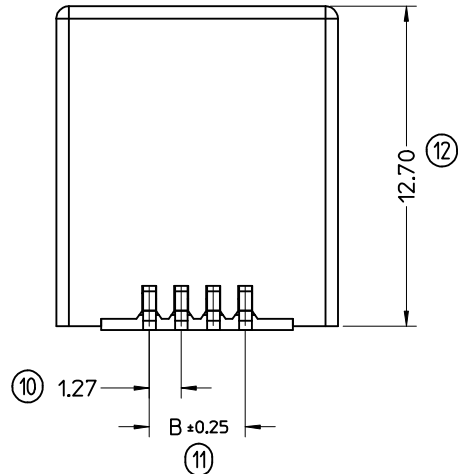


NOTES:

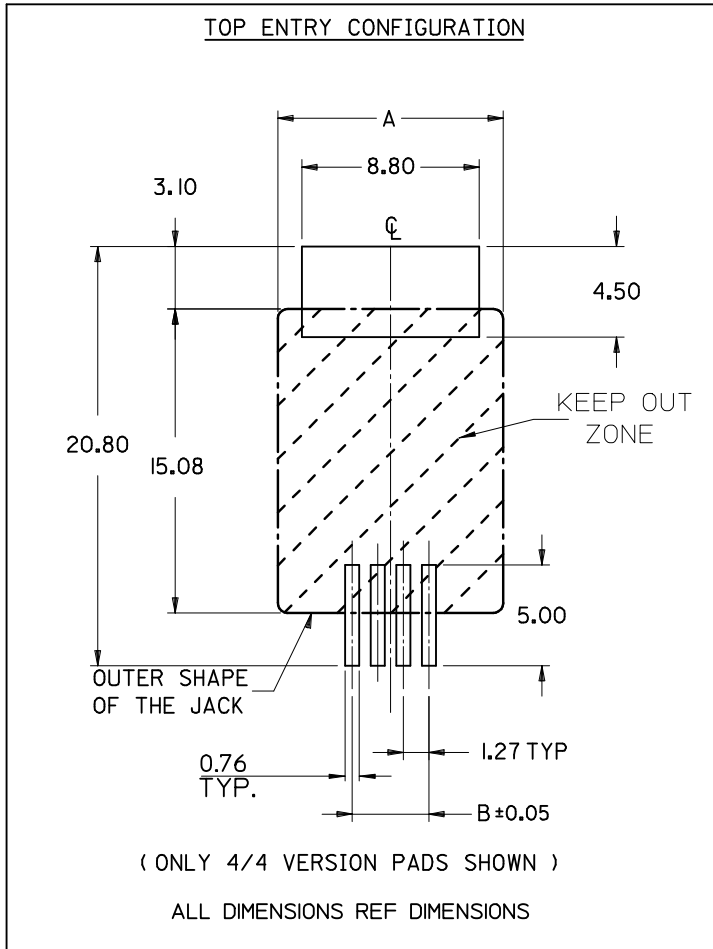
- 1- MATERIAL:
 -HOUSING: LCP GLASS FILLED UL 94-V0, COLOUR BLACK.
 -TERMINAL: COPPER ALLOY PLATED WITH:
 BASE FINISH: NICKEL
 CONTACT SURFACE FINISH:
 GOLD,
 OR
 GOLD FLASH OVER PALLADIUM NICKEL.
 EXCEEDS PRODUCT REQUIREMENTS BASED ON PS-85513-002
- 2- JACK FOR MATING WITH IEC 60603-7 AND TIA-1096-A PLUGS (MOLEX 90075 SERIES).
- 3- PRODUCT SPECIFICATION: PS-85513-002.
- 4- PACKAGING SPECIFICATION (SEE CHART SHEET2):
 PK-85513-001 SHEET 3 (BLISTER ON REEL 13")
 PK-85133-001 SHEET 1 (BLISTER ON REEL 15")
 PK-85513-001 SHEET 2 (BLISTER ON REEL 22")
- 5- FLAT SURFACE ON BOTH SIDES FOR PICK AND PLACE PURPOSE
- 6- COPLANARITY OF LEADS AND TABS: 0.10 MAX
- 7- SEE RECOMMENDED PCB LAYOUT ON SHEET 2
- 8- FOR DRAWING PURPOSE, ONLY 4/4 VERSION SHOWN.
- 9- MANUFACTURING ID CAN BE EITHER MXF, MG OR MXI.
- 10- APPLICATION SPEC AS-85513-001
- 11- OPTIONAL PICK&PLACE TAPE

LAST INSPECTION No: 14



| | | | | | | | | |
|---|--------------------|-----------------|--|---|--------------------|--|----------------------------------|--|
| REMOVED OPTION UPDATE DIM C EC NO: IPG2015-0192 DRWN: JKEARNS 2014/05/06 CHKD: APPR: STGRIFFIN 2014/08/29 | DESCRIPTION REV | QUALITY SYMBOLS | GENERAL TOLERANCES (UNLESS SPECIFIED) | DIMENSION STYLE | SCALE | DESIGN UNITS | THIRD ANGLE PROJECTION | |
| | | ▼ = 0 ◻ = 0 | mm INCH 4 PLACES ± --- ± --- 3 PLACES ± --- ± --- 2 PLACES ± 0.15 ± --- 1 PLACE ± 0.25 ± --- ANGULAR ± 2 ° | MM ONLY | 5:1 | METRIC | ☉ ◻ THIRD ANGLE PROJECTION | |
| | | | DRAFT WHERE APPLICABLE MUST REMAIN WITHIN DIMENSIONS | DRAWN BY: DBYRNES DATE: 2006/08/17 CHECKED BY: DATE: APPROVED BY: DATE: 2006/08/17 EOMAHONY 2006/08/17 | TITLE | LOW PROFILE TOP ENTRY TRUE SMT JACK WITH P&P SURFACE (SHORT VERSION) | | |
| | | | | MATERIAL NO. DOCUMENT NO. SHEET NO. SEE SHEET 2 SD-85513-010 1 OF 2 | MOLEX INCORPORATED | | | |

RECOMMENDED PCB LAYOUTS
(SEE FROM COMPONENT SIDE)



| PART No. | PICK&PLACE TAPE | HOUSING SIZE | LOADED CKTS | TOOLED | A | B | C | PACKAGING | PACKAGING SPEC. | |
|------------|-----------------|--------------|-------------|--------|-------|------|-------|---------------------|----------------------|----|
| 85513-5013 | NO | 8 | 8 | YES | 15.24 | 8.89 | 14.40 | BLISTER ON REEL 13' | PK-85513-001 SHEET 3 | |
| 85513-5113 | YES | | | YES | | | | | | +2 |
| 85513-5001 | NO | | | YES | | | | | | -4 |
| 85513-5009 | NO | | | YES | | | | | | |
| 85513-5109 | YES | 6 | 6 | YES | 13.21 | 6.35 | 12.40 | BLISTER ON REEL 13' | PK-85513-001 SHEET 3 | |
| 85513-5014 | NO | | | YES | | | | | | +2 |
| 85513-5114 | YES | | | YES | | | | | | -4 |
| 85513-5002 | NO | | | YES | | | | | | |
| 85513-5010 | NO | 6 | 4 | YES | 13.21 | 3.81 | 12.40 | BLISTER ON REEL 15' | PK-85513-001 SHEET 1 | |
| 85513-5110 | YES | | | YES | | | | | | +2 |
| 85513-5015 | NO | | | YES | | | | | | -4 |
| 85513-5115 | YES | | | YES | | | | | | |
| 85513-5003 | NO | 4 | 4 | YES | 11.18 | 3.81 | 10.40 | BLISTER ON REEL 15' | PK-85513-001 SHEET 1 | |
| 85513-5011 | NO | | | YES | | | | | | +4 |
| 85513-5111 | YES | | | YES | | | | | | -2 |
| 85513-5016 | NO | | | YES | | | | | | |
| 85513-5116 | YES | 4 | 4 | YES | 11.18 | 3.81 | 10.40 | BLISTER ON REEL 22' | PK-85513-001 SHEET 2 | |
| 85513-5004 | NO | | | YES | | | | | | +4 |
| 85513-5012 | NO | | | YES | | | | | | -2 |
| 85513-5112 | YES | | | YES | | | | | | |

| | | | | | | |
|--|--|--|--|---|---|--|
| SEE SHEET 1 EC NO: IPG2015-0192 DRWN: JKEARNS 2014/05/06 CHKD: APPR: STORIFFIN 2014/08/29 | QUALITY SYMBOLS ▽=0 ◻=0 | GENERAL TOLERANCES (UNLESS SPECIFIED) mm INCH 4 PLACES ± --- ± --- 3 PLACES ± --- ± --- 2 PLACES ± 0.15 ± --- 1 PLACE ± 0.25 ± --- ANGULAR ± 2 ° | DIMENSION STYLE MM ONLY DRAWN BY: DBYRNES DATE: 2006/08/17 CHECKED BY: EOMAHONY DATE: 2006/08/17 APPROVED BY: EOMAHONY DATE: 2006/08/17 | SCALE: 1:1 DESIGN UNITS: METRIC THIRD ANGLE PROJECTION | TITLE: LOW PROFILE TOP ENTRY TRUE SMT JACK WITH P&P SURFACE(SHORT VERSION) MOLEX INCORPORATED DOCUMENT NO: SD-85513-010 SHEET NO: 2 OF 2 | |
| | DRAFT WHERE APPLICABLE MUST REMAIN WITHIN DIMENSIONS | | SEE CHART | THIS DRAWING CONTAINS INFORMATION THAT IS PROPRIETARY TO MOLEX INCORPORATED AND SHOULD NOT BE USED WITHOUT WRITTEN PERMISSION | | |
| | | | SIZE: A3 | | | |
| | | | | | | |