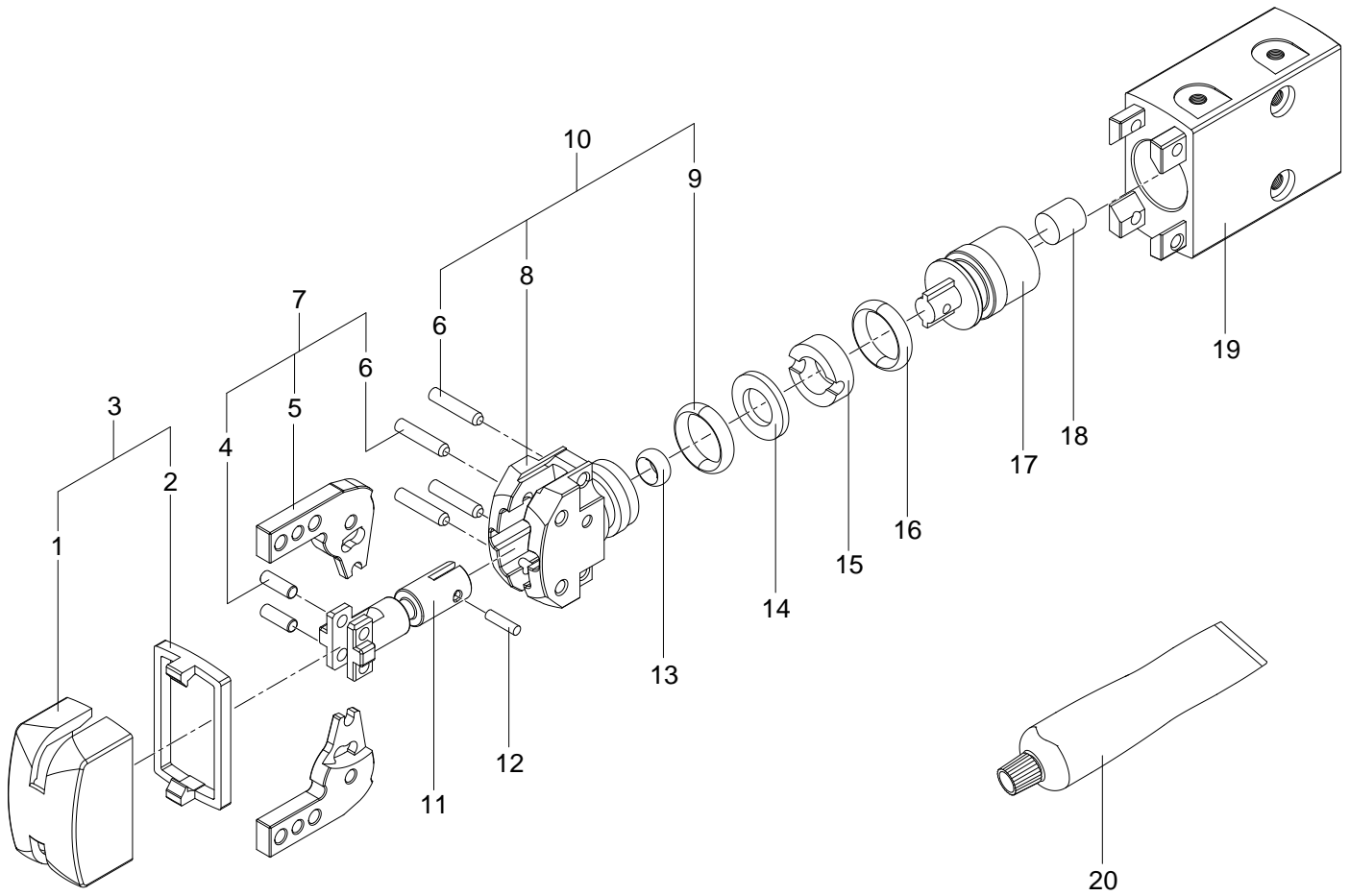


1310177 DHWS-10-A Angle gripper - Series: All



1310177 DHWS-10-A Angle gripper - Series: All

Pos.	Part no.	Type	Note	Qty.	Unit
A	1564118	DHRS-10-A Set of wearing parts	Spare parts: 9	1	PC
1			Not available separately, see position 3	1	PC
2			Not available separately, see position 3	1	PC
3	1564117	DHRS-10-A Covering		1	PC
4			Not available separately, see position 7+998	2	PC
5			Not available separately, see position 7	2	PC
6			Not available separately, see position 7+10+998+999	4	PC
7	1567992	DHWS-10-A Gripper jaw		1	PC
8			Not available separately, see position 10	1	PC
9			Not available separately, see position 10+999 Grease using during assembly. See position 20	1	PC
10	1564116	DHRS-10-A Jaw guide		1	PC
11			Not available separately, see position 998	1	PC
12			Not available separately, see position 998	1	PC
13			Not available separately, see position 998+999 Grease using during assembly. See position 20	1	PC
14			Not available separately, see position 998+999	1	PC
15			Not available separately, see position 998	1	PC
16			Not available separately, see position 998+999 Grease using during assembly. See position 20	1	PC
17			Not available separately, see position 998	1	PC
18			Not available separately, see position 998	1	PC
19			Not available	1	PC
20	397394	LUB-M1-SILIKONFREI-10ML Lubricating grease		1	PC
99 8	1567991	DHWS-10-A Piston module		1	PC