

Connecting piece M20/M25 for connection of 2 enclosures, Metal, with hexagon nut



Product brand name	SIRIUS ACT
Product designation	Connection piece
Design of the product	M20/M25 for connecting 2 enclosures
Product type designation	3SU1
General technical data	
Protection class IP	IP66, IP67, IP69(IP69K)
Installation/ mounting/ dimensions	
Mounting height	2.95 mm
Accessories	
Material of accessory	Metal
Color of accessory	Silver
Certificates/approvals	

General Product Approval	Declaration of Conformity	Test Certificates
--------------------------	---------------------------	-------------------



[Miscellaneous](#)

[Type Test Certificates/Test Report](#)

### Marine / Shipping



### other

[Confirmation](#)

### Further information

**Information- and Downloadcenter (Catalogs, Brochures,...)**

<http://www.siemens.com/industrial-controls/catalogs>

**Industry Mall (Online ordering system)**

<https://mall.industry.siemens.com/mall/en/en/Catalog/product?mlfb=3SU1950-0HK10-0AA0>

**Cax online generator**

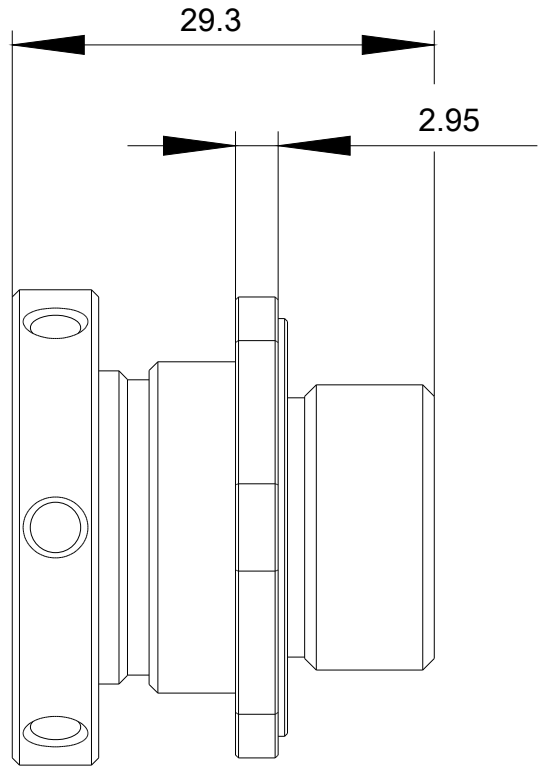
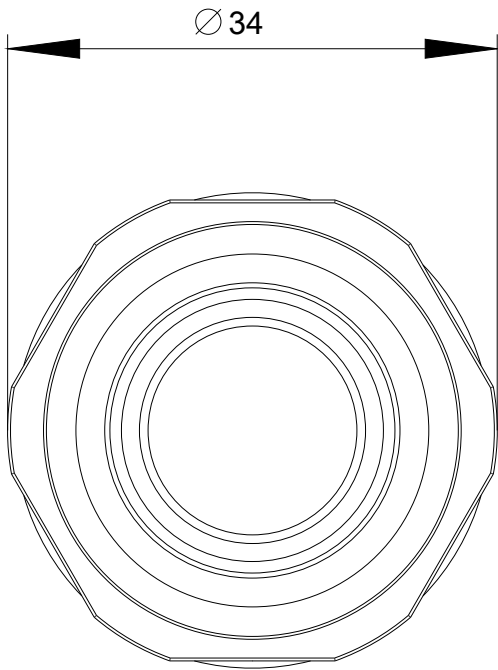
<http://support.automation.siemens.com/WW/CAXorder/default.aspx?lang=en&mlfb=3SU1950-0HK10-0AA0>

**Service&Support (Manuals, Certificates, Characteristics, FAQs,...)**

<https://support.industry.siemens.com/cs/ww/en/ps/3SU1950-0HK10-0AA0>

**Image database (product images, 2D dimension drawings, 3D models, device circuit diagrams, EPLAN macros, ...)**

[http://www.automation.siemens.com/bilddb/cax\\_de.aspx?mlfb=3SU1950-0HK10-0AA0&lang=en](http://www.automation.siemens.com/bilddb/cax_de.aspx?mlfb=3SU1950-0HK10-0AA0&lang=en)



last modified:

09/12/2019