

Oil level indicators



- **Material**
AISI 303 stainless steel.
- **Window**
Natural glass.
- **Packing ring**
NBR synthetic rubber.
- **Maximum continuous working temperature**
100°C.

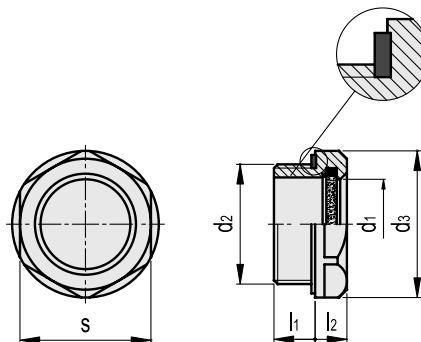
Features and applications

GN 743.4 oil level indicators can be used on pressurised oil tanks (oil-proof resistance data available on request).

The seal between the stainless steel body and the natural glass window is guaranteed by a packing ring in NBR synthetic rubber.

Accessories on request

Brass nuts with Gas threadings, type GH. for fitting to reservoirs with wall thickness smaller than 5 mm.



Code	Description	d ₁	d ₂	d ₃	l ₁	l ₂	s	⚖️
GN.37548	GN 743.4-11-M16x1.5-B	11	M16x1.5	22	8	7.5	20	19
GN.37550	GN 743.4-14-M20x1.5-B	14	M20x1.5	26	8.5	7.5	23	23
GN.37552	GN 743.4-18-M26x1.5-B	18	M26x1.5	32	9	8	30	41
GN.37554	GN 743.4-24-M33x1.5-B	24	M33x1.5	40	11	8.5	36	64
GN.37556	GN 743.4-32-M42x1.5-B	32	M42x1.5	50	12	9	46	102
GN.37547	GN 743.4-11-G3/8-B	11	G 3/8	22	8	7.5	20	19
GN.37549	GN 743.4-14-G1/2-B	14	G 1/2	26	8.5	7.5	23	23
GN.37551	GN 743.4-18-G3/4-B	18	G 3/4	32	9	8	30	41
GN.37553	GN 743.4-24-G1-B	24	G 1	40	11	8.5	36	64
GN.37555	GN 743.4-32-G1¼-B	32	G 1¼	50	12	9	46	102