

UG1410A



- Snap-action : tactile feedback with audible click
- High current/voltage rating
- Sealed to IP67
- Flat round actuator for optional marking

### ENVIRONMENTAL SPECIFICATIONS

- Front panel sealing : IP67 according to IEC 60529
- Shock resistance : 50 g - 11 ms according to IEC 68-2-27
- Salt spray : IEC 512-6, test 11f
- Operating temperature : -40°C to +85°C
- Storage temperature : -40°C to +85°C

### ELECTRICAL SPECIFICATIONS

- Max. current/voltage rating with resistive load : 3A 28VDC
- Initial contact resistance : 100 mΩ max.
- Insulation resistance : 1 GΩ min. at 500VDC
- Dielectric strength : 500 Vrms between terminals
- Electrical life at full load : 25.000 cycles

### GENERAL SPECIFICATIONS

- Panel thickness : 1,5 mm (.059) to 10 mm (.394)
- Total travel : 1,7 mm (.067) +/- 0,3 mm
- Low level or mechanical life : 1.000.000 cycles
- Torque : 1,5 Nm max. applied to nut

### MATERIALS

- Case : polyamide 4/6
- Actuator : polyamide 6/6
- Bushing/bezel : polyamide 6/6
- Contacts : silver, gold plated
- Terminal seal : epoxy

### AGENCY APPROVAL



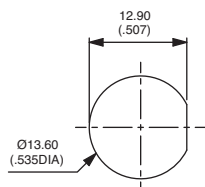
2A 125VAC/250VAC  
File E83438

**Availability** : consult factory for details of approved models.

**Marking** : to order switches marked UL, complete appropriate box of ordering format.

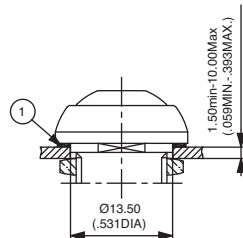
### MOUNTING - STANDARD BEZEL

#### Panel cut-out

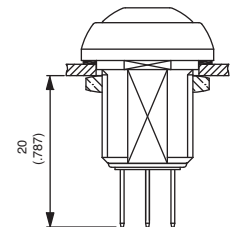


① Flat seal

#### Matrix mounting

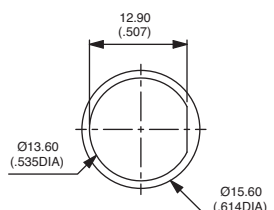


#### Back of panel space requirement



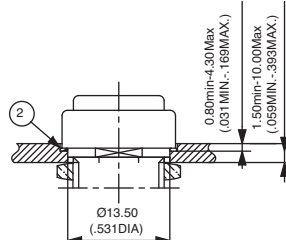
### MOUNTING - REDUCED BEZEL

#### Panel cut-out

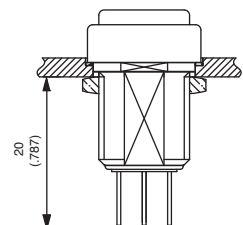


② O-ring

#### Matrix mounting



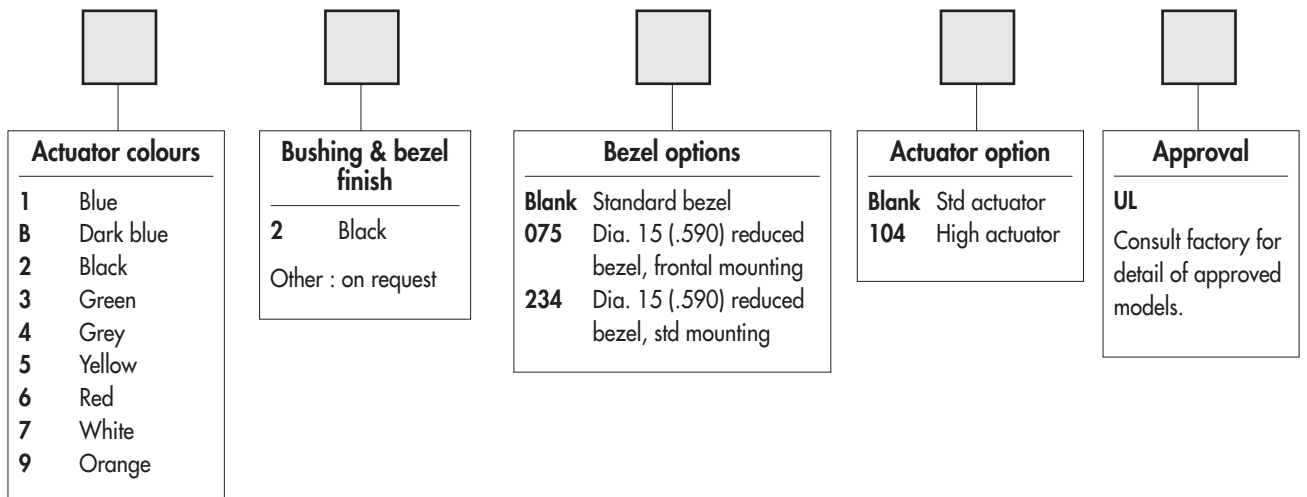
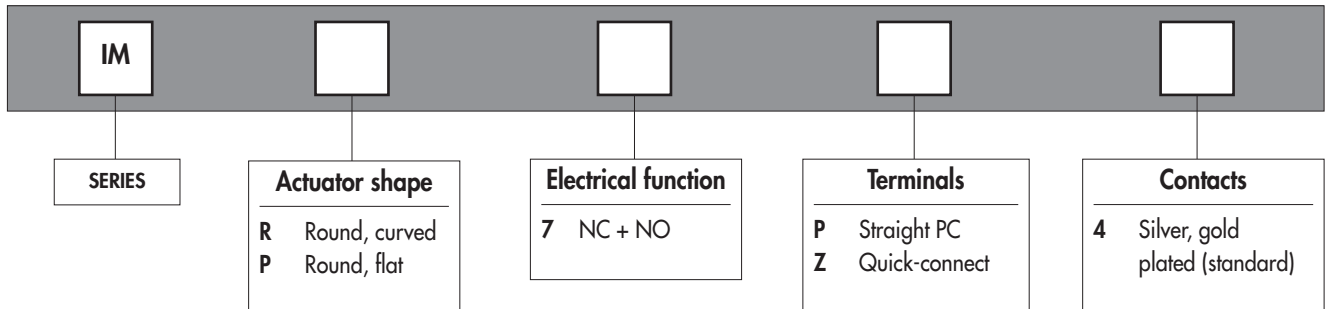
#### Back of panel space requirement



# IM series

## Sealed snap-action pushbutton switches - bushing Ø 12 mm - momentary

### Overview



#### ABOUT THIS SERIES

On the following pages, you will find successively :  
model structure of switches and options in the same order as in above chart

**Dimensions** : first dimensions are in mm while inches are shown as bracketed numbers.



**NOTICE** : please note that not all combinations of above numbers are available.  
Refer to the following pages for further information.



**A sealing boot** is available to protect the switches against frost and sand (P/N U5125).  
It is presented after the IA series and in section H.



**Mounting accessories** : Standard hardware supplied : 1 flat seal (standard bezel) or 1 O-ring (reduced bezel) and 1 hex nut 14 mm (.551) across flats. Hex nut part number U166.



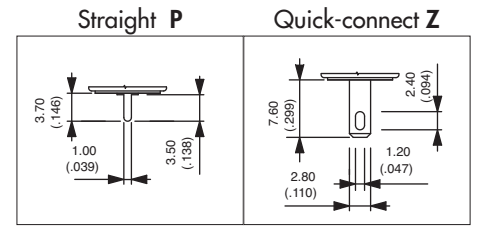
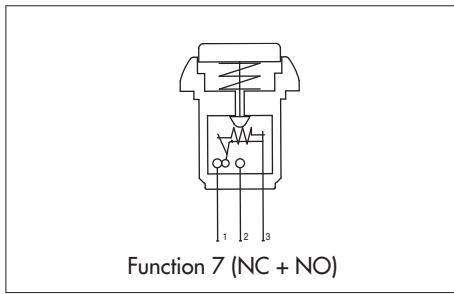
**Packaging unit** : 50 pieces

The company reserves the right to change specifications without notice.

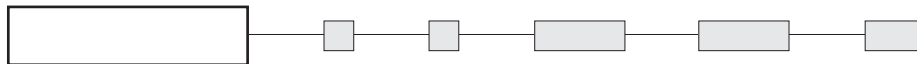
# IM series

## Sealed snap-action pushbutton switches - bushing Ø 12 mm - momentary

Round - non-illuminated



### MODEL STRUCTURE



Common terminal identified by a horizontal dash

### Standard bezel - straight PC terminals



Curved actuator  
**IMR7P4**



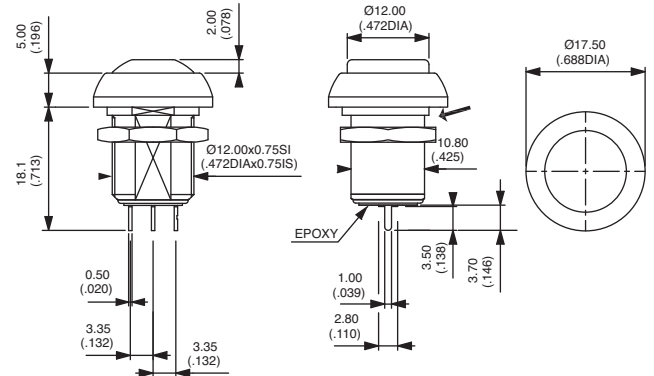
NC+NO

Flat actuator  
**IMP7P4**



NC+NO

→ Flat



### Standard bezel - quick-connect terminals



Curved actuator  
**IMR7Z4**



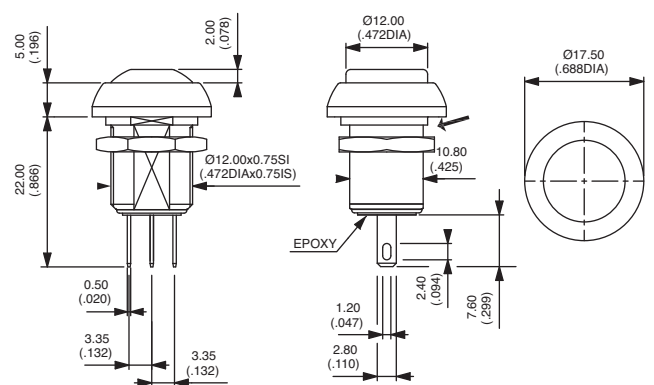
NC+NO

Flat actuator  
**IMP7Z4**

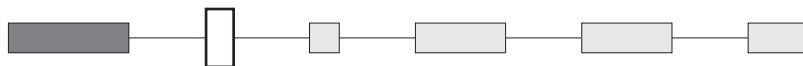


NC+NO

→ Flat

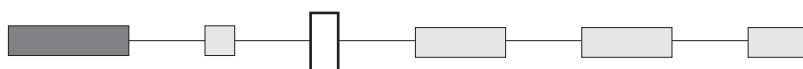


### ACTUATOR COLOURS



1 : blue - B : dark blue - 2 : black - 3 : green - 4 : grey - 5 : yellow - 6 : red - 7 : white - 9 : orange

### BUSHING AND BEZEL COLOURS



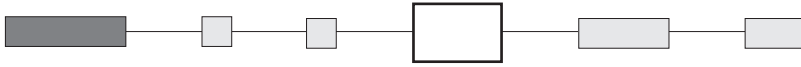
2 : black (standard)  
Other : on request

# IM series

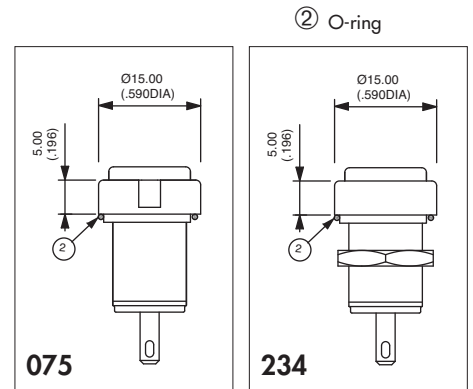
## Sealed snap-action pushbutton switches - bushing $\varnothing$ 12 mm - momentary

### Options

#### BEZEL OPTIONS

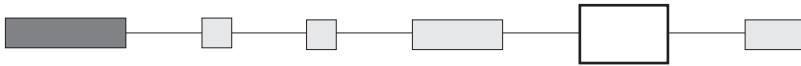


- Blank** Standard bezel
- 075** Dia. 15 (.590) reduced bezel, mounting of the switch from the front into a threaded panel cut-out
- 234** Dia. 15 (.590) reduced bezel, standard mounting

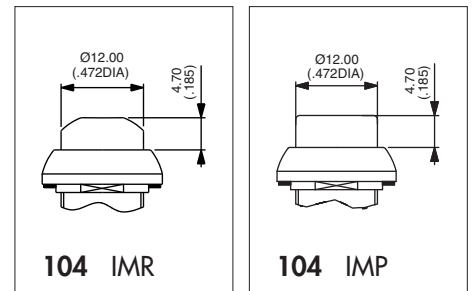


B1

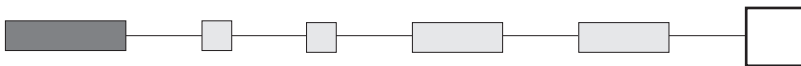
#### ACTUATOR OPTION



- Blank** Standard actuator
- 104** High actuator



#### AGENCY APPROVAL



#### UL

**Availability** : consult factory for details of approved models.  
**Marking** : to order switches marked UL, complete above box with "UL".