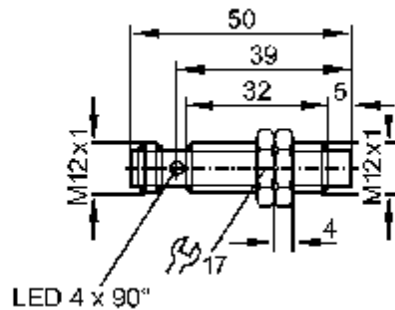


efector100

IFS201
Inductive sensors


Made in Germany

Product characteristics

Inductive sensor

Metal thread M12 x 1

Connector

Increased sensing range

gold-plated contacts

Sensing range 7 mm [nf]

non-flush mountable

Electrical data

Electrical design	DC PNP/NPN
Operating voltage [V]	10...30 DC
Protection class	II
Reverse polarity protection	yes

Outputs

Output function	normally open
Voltage drop [V]	< 2.5
Minimum load current [mA]	2
Leakage current [mA]	< 0.5
Current rating [mA]	100
Short-circuit protection	pulsed
Overload protection	yes
Switching frequency [Hz]	700

Range

Sensing range [mm]	7
Real sensing range [mm] (Sr)	7 ± 10 %

Operating distance [mm]	0...5.7	
Accuracy / deviations		
Correction factors	mild steel = 1 / stainless steel approx. 0.7 / brass approx. 0.5 / Al approx. 0.4 / Cu approx. 0.3	
Hysteresis [% of Sr]	3...15	
Switch-point drift [% of Sr]	-10...10	
Environment		
Ambient temperature [°C]	-25...70	
Protection	IP 67	
Tests / approvals		
EMC	EN 61000-4-2 ESD:	4 kV CD / 8 kV AD
	EN 61000-4-3 HF radiated:	10 V/m (80...1000 MHz)
	EN 61000-4-4 Burst:	2 kV
	EN 61000-4-6 HF conducted:	10 V (0.15...80 MHz)
	EN 55011:	class B
MTTF [Years]	2487	
Mechanical data		
Mounting	non-flush mountable	
Housing materials	brass white bronze coated; active face: PBT	
Weight [kg]	0.024	
Displays / operating elements		
Output status indication	LED	yellow (4 x 90°)
Electrical connection		
Connection	M12 connector; gold-plated contacts	
Wiring		
Accessories		
Accessories (included)	2 lock nuts	
Remarks		
Remarks	Conventional 3-wire pnp sensors can be replaced. In this case pin 3 (grey in the wiring diagram) is not used.	