



Brand of NTN Group

Technical data

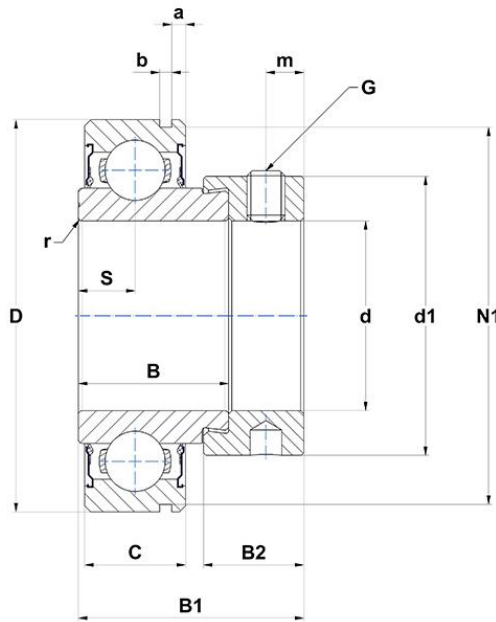
CES204

Insert bearings



Cylindrical outer diameter, fixing by eccentric locking collar, single lip seal

VISUAL (S)



PRODUCT DEFINITION

Brand	SNR
a - Distance to grooves in OR	4 mm
b - Groove width in OR	1,35 mm
B - Width of Inner Ring	21,5 mm
B1 - Overall width Inner Ring	31 mm
B2 - Width of eccentric locking collar/nut	13,5 mm
C - Width of Outer Ring	14 mm
d - Shaft diameter	20 mm



NTN Europe

1 rue des Usines · BP 2017 · 74010 Annecy Cedex · France · Tel. +33 (0)4 50 65 30 00
 S.A. au capital de 322 639 919 € · RCS ANNECY B 325 821 072 · Id. Fiscale : FR 48 325 821 072
 SIRET 325 821 072 00015 · Code APE 2815 Z · Code NACE 28.15

PRODUCT DEFINITION

d1 - Outer dia of eccent. Lock. collar / nut of adapter sleeve	33,3 mm
D - Outer diameter of OR	47 mm
G - Set screw size	M6x1
m - Distance to set screw	5 mm
N1 - Groove dia in OR	44,6 mm
r - Radius Inner Ring	1
S - Distance front side/bearing centre	7 mm
f0 - Factor	13.2
SW - Wrench size	3 mm

PRODUCT PERFORMANCE

C - Dynamic load rating	12800000 mN
C0 - Static load rating	6650000 mN
Operating temperature min.	253,15 °K
Operating temperature max.	373,15 °K

OTHER FEATURES

Mass	0,15 kg
Recommended tightening torque for set screw	5.5 N-m

BEARING FREQUENCIES

BPFO - Over rolling frequency on outer ring (60 rpm)	3.06342182890855 Hz
BPMF - Over rolling frequency on inner (60 rpm)	4.93657817109145 Hz
BSF - Over rolling frequency on rolling element (60 rpm)	4.03672159895942 Hz
BRF - Rotational frequency - rolling element (60 rpm)	2.01836079947971 Hz
FTF - Rotational frequency - cage (60 rpm)	0.382927728613569 Hz

