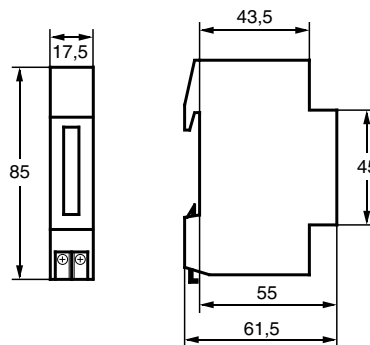


Elapsed time counters BW 70 · BG 70 · BW 40

for DIN-rail or wall mounting
Alternating/Direct Current

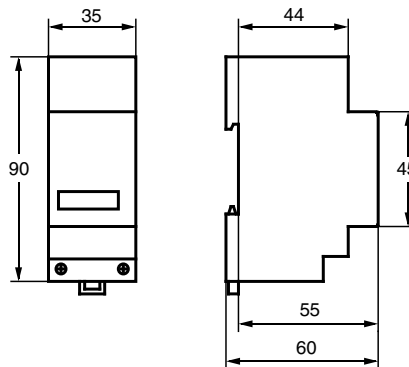
- For Din-rail mounting
- Flush mount dimensions 45 x 17.5 mm
- Compact format
- No terminal cover
- Screw terminals (pull-up type)
- Touch proof connections

Type/Order No	Version
BW 70.18	Alternating current
BG 70.18	Direct current



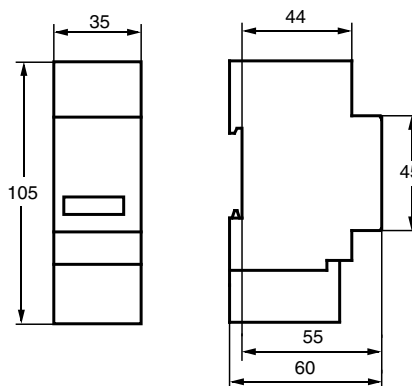
- For Din-rail mounting
- Flush mount dimensions 45 x 35 mm
- No terminal cover
- Screw terminals (pull-up type)
- Touch proof connections
- With operation indicator (flashing LED)
- One Version for 50 and 60 Hz

Type/Order No	Version
BW 70.29	Alternating current
BG 70.29	Direct current



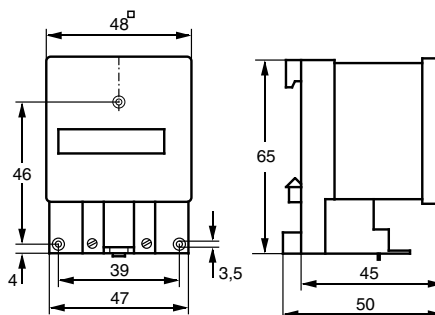
- For Din-rail and wall mounting
- Flush mount dimensions 45 x 35 mm
- With terminal cover
- Screw terminals (pull-up type)
- Touch proof connections
- With operation indicator (flashing LED)
- One version for 50 and 60 Hz

Type/Order No	Version
BW 70.89	Alternating current
BG 70.89	Direct current



- For Din-rail and wall mounting
- Flush mount dimensions 45 x 48 mm
- Screw terminals
- No terminal cover
(see accessories for terminal covers)

Type/Order No	Version
BW 40.88	Alternating current



Elapsed time counters BW 70 · BG 70 · BW 40

For DIN-rail or wall mounting

Alternating/Direct Current

Special features

- Formats:
17.5 mm, 35 or 48 mm
- Easy to install
- Straightforward connections
- Terminal covers may be retrofitted
(except BW/BG 70.18)

Technical data	BW 70 BW 40	BG 70
	Alternating current	Direct current
Supply voltages B 40, B 70.18 (please state when ordering)	230 V, 50 Hz or 115 V, 50 Hz or 24 V, 50 Hz	12–48 V
Supply voltages B 70.X9 (please state when ordering)	230 V, 50–60 Hz or 115 V, 50–60 Hz or 24 V, 50–60 Hz	12–48 V
Special voltages	—	5–24 V, 36–110 V, 100–300 V
Other voltages	on request	—
Special frequency	60 Hz (not applicable to BW 70.X9)	—
Voltage tolerance	±15%	±10%
Power consumption	approx 1.5 VA	approx 20 mW at 12 V
Counter capacity	99999 h	99999 h
Accuracy of reading	0.01 h BW 70.X9: 0.1 h	0.1 h
Numeral height	4.4 mm (BW 70.18: 2.6 mm)	4.4 mm (BG 70.18: 2.6 mm)
Numeral colour	white, decimal figures red	white, decimal figures red
Operation indicator B 40, B 70.18 B 70.X9	fast-running wheel flashing LED	flashing LED flashing LED
Permitted ambient temperature	-15°...+55°C	-10°...+50°C
Enclosure	self-extinguishing thermoplastic, black	
Type of connection	Screw terminals	Screw terminals
Type of protection	Terminals IP 20 IP 50 to DIN 40050	Terminals IP 20 IP 50 to DIN 40050
Class of protection	II (when fitted in accordance with regulations)	III (up to 48 VDC)
Accessories		
Terminal covers for BW 70.29	003.008.004	
Terminal covers for BW 40.88	003.007.003	