

BACKSHELL KIT INCLUDES:

(2) BACKSHELL HALVES

(2) 4-40 THUMBSCREWS

(2) HOUSING SCREWS & (2) NUTS

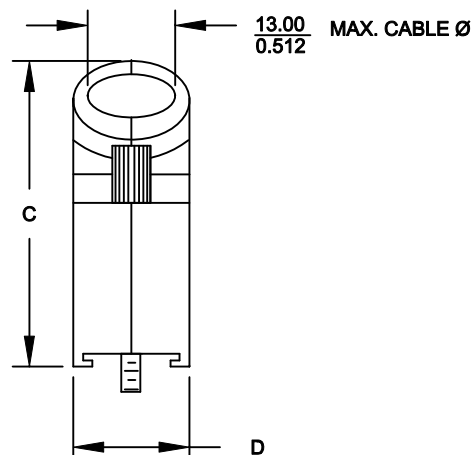
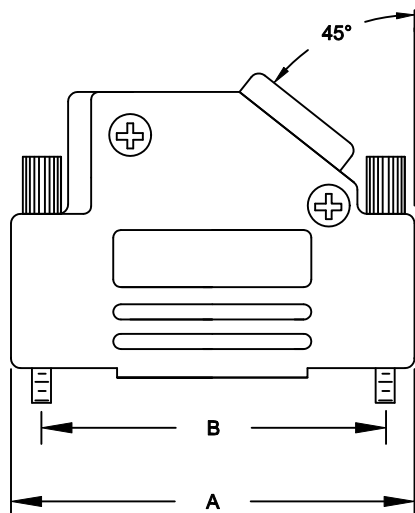
(1) SET OF COMPRESSION INSERTS - VARIOUS SIZES

DIAMETERS: 4mm (.157"), 5mm (.197"), 7mm (.276"), 9mm (.351")

NOTE: 9 POSITION HAS ONLY 1 THUMBSCREW

(OPPOSITE CABLE ENTRY)

DIMENSIONS (mm/in)				
SIZE:	A $\pm .25$ $\pm .010$	B $\pm .13$ $\pm .005$	C $\pm .25$ $\pm .010$	D $\pm .25$ $\pm .010$
9	31.00	24.99	36.30	15.00
	1.220	0.984	1.429	0.591
15	39.50	33.32	40.30	15.00
	1.555	1.312	1.587	0.591
25	53.20	47.04	40.30	15.00
	2.094	1.852	1.587	0.591
37	69.70	63.50	40.30	15.00
	2.744	2.500	1.587	0.591



ORDERING INFORMATION

SIZE:	P/N KITTED:	PRODUCT CODE:
9-WAY	6560-0146-11	MHD45PK-9-K
15-WAY	6560-0146-12	MHD45PK-15-K
25-WAY	6560-0146-13	MHD45PK-25-K
37-WAY	6560-0146-14	MHD45PK-37-K

SIZE:	P/N BULK:	PRODUCT CODE:
9-WAY	6561-0146-11	MHD45PK-9
15-WAY	6561-0146-12	MHD45PK-15
25-WAY	6561-0146-13	MHD45PK-25
37-WAY	6561-0146-14	MHD45PK-37

PLASTIC: ABS POLYLAC - UL RECOGNIZED
NICKEL PLATED

4-40 THUMBSCREWS: STEEL - Zn PLATED

HOOD SCREWS: STEEL - ZN PLATED

COMPRESSION INSERTS: ABS UL RECOGNIZED

NUTS: STEEL - Zn PLATED

OPERATING TEMP: -55°C TO +110°

THESE DRAWINGS AND SPECIFICATIONS ARE THE PROPERTY OF MH CONNECTORS LTD. AND SHALL NOT BE REPRODUCED, COPIED OR USED AS THE BASIS FOR THE MANUFACTURE OR SALE OF APPARATUS WITHOUT WRITTEN PERMISSION.

DRAWN P. JENKINS	DATE 03-14-12
----------------------------	-------------------------

APPROVED D. CROFT	DATE 03-14-12
-----------------------------	-------------------------

SCALE NTS	SHEET 1	OF 1	REV: A
---------------------	-------------------	----------------	------------------

DRAWING No
MHD45PK SERIES

RoHS COMPLIANT



MH CONNECTORS LTD.

THIS IS A C.A.D. GENERATED DRAWING
DO NOT MAKE MANUAL REVISIONS TO MASTER.



* UNLESS OTHERWISE SPECIFIED TOLERANCES
ON DECIMAL IS: ANGLE ± 1°
.X ± 0.15
.XX ± 0.05

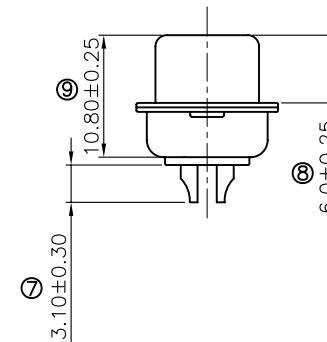
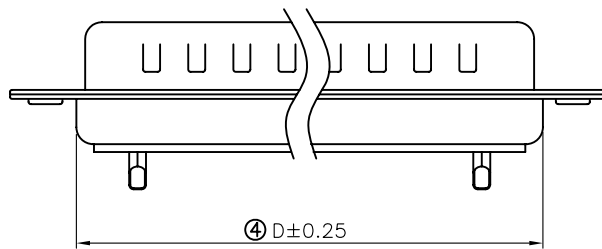
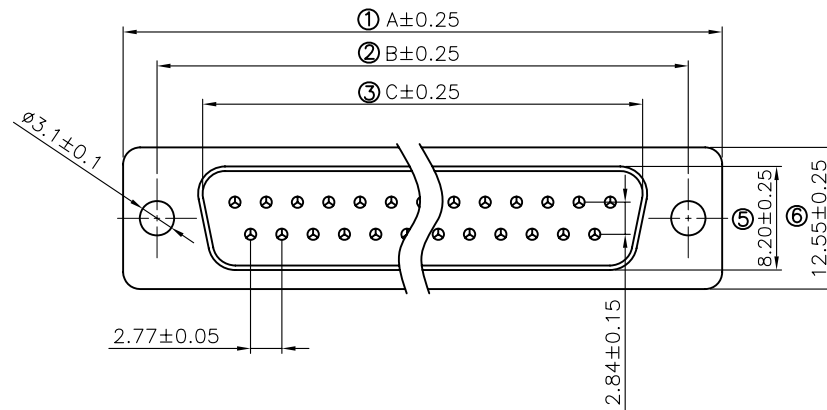
Remark:

1.SPECIFICATION:

Rated voltage:250V
Rates current:5AMP
Contact resistance:20MΩ MAX
Insulation resistance:1000MΩ MIN.at 500V DC
Withstand voltage:500V Per mintute
Temperature range:-55 -105°C

2.MATERIAL:

Plastic:PBT+30% G.F (UL94V-0) BLACK
Terminal:brass ,tin-gold plated
Spcc shell:Spcc front shell is ni plated back shell is tin plated



PN	PIN	A	B	C	D
MHDB9SP	09	30.81	24.99	16.92	19.28
MHDB15SP	15	39.25	33.32	25.25	27.75
MHDB25SP	25	53.03	47.04	38.96	41.30
MHDB37SP	37	69.50	63.50	55.42	57.40

THESE DRAWINGS AND SPECIFICATIONS ARE THE PROPERTY OF MH CONNECTORS LTD. AND SHALL NOT BE REPRODUCED, COPIED OR USED AS THE BASIS FOR THE MANUFACTURE OR SALE OF APPARATUS WITHOUT WRITTEN PERMISSION.

DRAWN Johnny	DATE 07-16-12
APPROVED	DATE

SCALE 1:1	SHEET OF 1 OF 1	REV: 1
--------------	--------------------	-----------

DRAWING No
MHDB SP



THIS SERIES FULLY CONFORMS TO THE
EUROPEAN UNION DIRECTIVES 2002/95/EC
AND 2002/96/EC FOR RoHS COMPLIANCY.



MH CONNECTORS LTD.