

8	BAG LDPE 203X305X0.05	904035	1
7	PRINTED LABEL	VL-0538	1
6	8" PE TIE BLK	6310062	2
5	IP40G NL792B BLK	4100017	-
	MOLDED TRIDENT	TRIDENT	1
4	IP60G NL7976B BLK	4100115	-
	MOLDED CONNECTOR V1625 (10A 250V)	V1625	3
3	IP60G NL7976B BLK	4100115	-
	MOLDED PLUG M2511 (16A 250V)	M2511	1
2	H05V-F 3X0.75 BLK PVC LEAD FREE	1210334	3
1	H05V-F 3X1.00 BLK PVC LEAD FREE	1210365	1

APPROVED SOURCE FOR CABLE

1. BAO HING(SHENZHEN).
2. TA HSING(SHENZHEN).

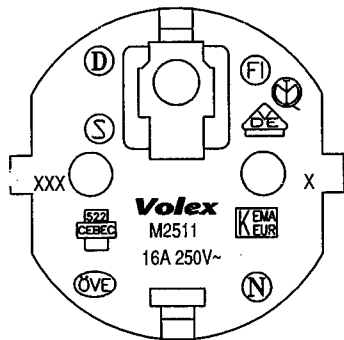
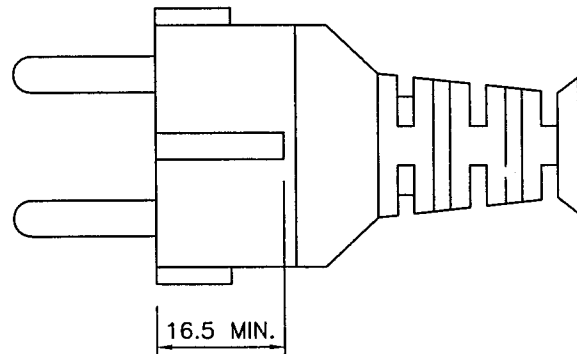
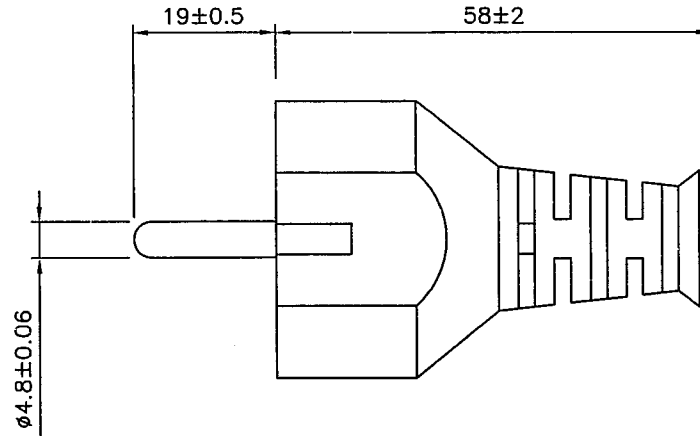
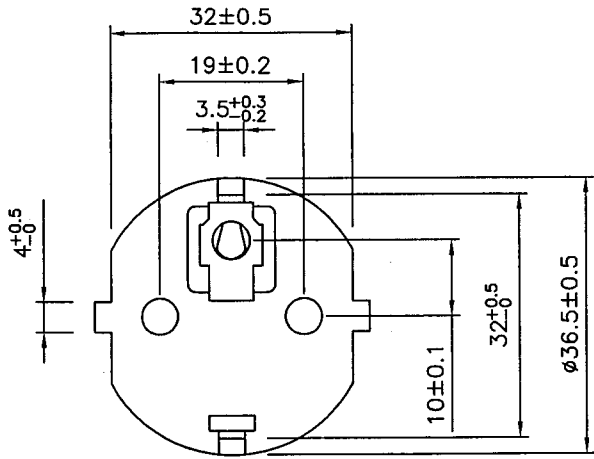
NOTE :

1. ALL DIMENSIONS IN mm.
2. THE CORD SHALL COMPLY WITH EN 50525-2-11.
3. THE MOLDED PLUG SHALL COMPLY WITH VARIOUS EUROPEAN COUNTRIES' CONFIGURATION (NATIONAL STANDARD) AND TESTED TO IEC 60884-1.
4. THE MOLDED CONNECTOR SHALL COMPLY WITH IEC 60320-1 OR EN 60320-1.
5. LABEL DETAILS : REFER TO LABEL DRAWING NO. : VL-0538.
6. THIS PART CAN BE MANUFACTURED AT ANY LOCATION WHICH HAS SAFETY APPROVAL.

S/N	DESCRIPTION	ITEM NUMBER	QTY
TITLE : EUROPEAN POWER SUPPLY CORDSET (PB FR)		SCALE : N.T.S.	
CUSTOMER : VPE/RS COMPONENTS		PAGE : 1/1	
CUSTOMER PART NUMBER : 6151182		ISSUE	
Reference Number : 142708/18 (HG07-034-14)		001	
SALES :	QA :	ENGRG : <i>hony</i>	CHECKED BY : <i>lcm</i>
			DRAWN BY : MAYING
Date :	Date :	Date : 18/07/14	Date : 17/07/14
			Date : 15/07/14

Voletx (Asia) Pte Ltd
Confidential property of Voletx. Information contained herein shall not be disclosed to others, reproduced or used for any other purposes except as authorized in writing by an authorized official of voletx asia.

REV.	DESCRIPTION	DATE
Q	ADD RIB INTO STRAIN RELIEF PER ECR 090706.	22/05/09
R	REMOVE THE CLOSED FACTORY FROM MANU.	20/07/09
	LOCATION MARK.	



MARKING DETAILS :

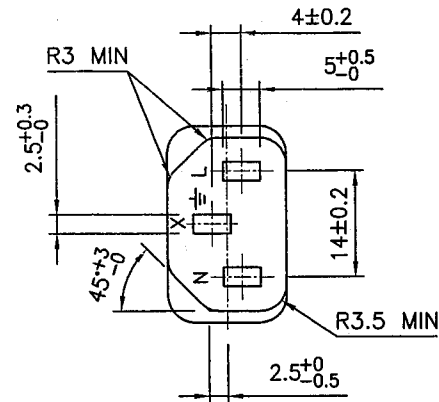
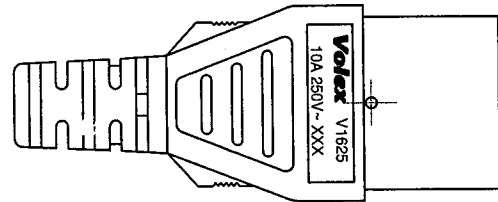
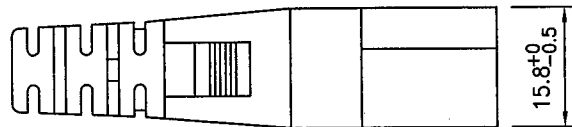
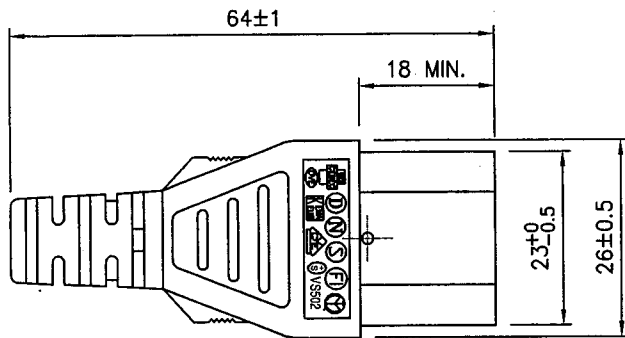
NOTES :

- 1.) ALL DIMENSIONS IN mm.
- 2.) X - CAVITY NO. (OPTIONAL)
- 3.) XXX - MANUFACTURING LOCATION.

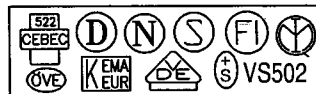


HG	HENG GANG (CHINA)	X	DRAWN	LI XIA	20/07/09	FILE NAME :	TITLE :
SM1	ZHONGSHAN (CHINA)	X	CHECK	hongli	22/07/09	A-PLUG/EURO/ GENERAL/ M2511-EURO	MOLDED PLUG M2511
VH	HANOI (VIETNAM)	X	APPR	Weto	29/7/9	N.T.S.	
B	BATAM (INDONESIA)	X	REV.	R	SCALE		Volex (Asia) Pte Ltd
VC	CHENNAI (INDIA)	X	REFERENCE :				Confidential property of Volex.
MANUFACTURE LOCATION MARK (' X ' IS APPLICABLE ONLY)			EUROPEAN APPROVAL				Information contained herein shall not be disclosed to others, reproduced or used for any other purposes except as authorized in writing by an authorized official of volex asia.

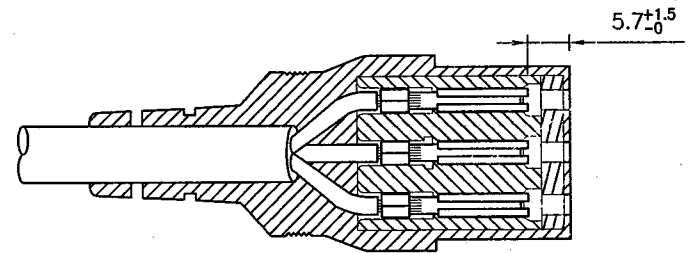
REV.	DESCRIPTION	DATE
	UPDATE FORMAT AS SHOWN.	
J	REMOVE THE CLOSED FACTORY FM. MANU. LOC. MARK.	02/11/06
	REMOVE THE CLOSED FACTORY FROM MANU.	
K	LOCATION MARK.	23/07/09



Volex V1625
10A 250V~XXX



MARKING DETAILS

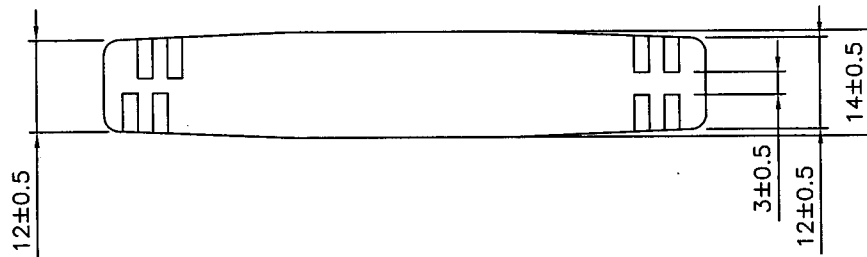
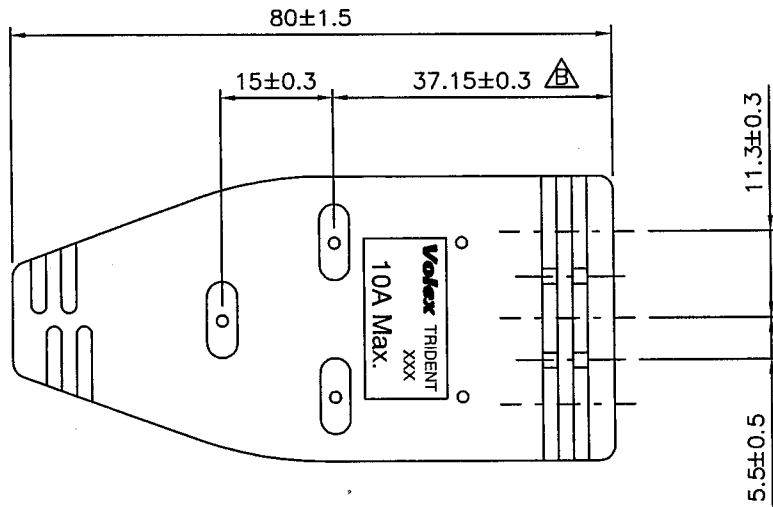
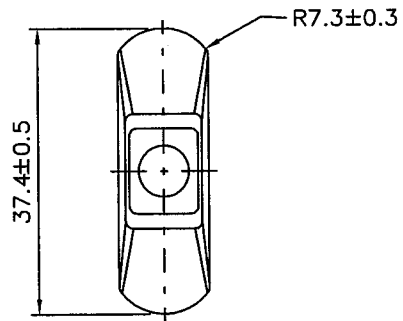


NOTES :

- 1.) ALL DIMENSIONS IN mm.
- 2.) X - CAVITY NO. (OPTIONAL)
- 3.) XXX - MANUFACTURING LOCATION



HG	HENG GANG (CHINA)	X	DRAWN	QIAN SM	23/07/09	FILE NAME :	TITLE : MOLDED CONNECTOR V1625	
SM1	ZHONGSHAN (CHINA)	X	CHECK	<i>heng</i>	<i>27/07/09</i>	A CONN/EURO/ GENERAL/V1625 EUROPEAN		
VH	HANOI (VIETNAM)	X	APPR	<i>Wet</i>	<i>30/7/9</i>	EUROPEAN		
			REV.	K	SCALE	N.T.S.		
B	BATAM (INDONESIA)	X	REFERENCE :				Volex (Asia) Pte Ltd	
VC	CHENNAI (INDIA)	X	EUROPEAN APPROVAL				<small>Confidential property of Volex. Information contained herein shall not be disclosed to others, reproduced or used for any other purposes except as authorized in writing by an authorized official of volex asia.</small>	
MANUFACTURE LOCATION MARK (' X ' IS APPLICABLE ONLY)								



REV.	DESCRIPTION	DATE
A	INITIAL RELEASE.	29/03/07
B	REMOVE THE CLOSED FACTORY FM. MANU. LOCATION MARK.	12/10/10
	ADD IN MANU. LOCATION MARK 'SMI'.	
	CHANGE TOLERANCE FM. '37.15±0.15' TO '37.15±0.3' AS SHOWN.	
	ADD IN NOTE 2.	

NOTES :

1.) ALL DIMENSIONS IN mm

△ 2.) XXX - MANUFACTURING LOCATION.

HG	HENG GANG (CHINA)	X	DRAWN	SUXI	12/10/10	FILE NAME :	TITLE :	
SM1/SMI	ZHONGSHAN (CHINA)	X	CHECK	<i>hmi</i>	12/10/10	A-PLUG/ NON-APPROVAL/ GENERAL/TRIDENT	TRIDENT	
VH	HANOI (VIETNAM)	X	APPR	<i>Wet</i>	12/10/10	N.T.S.		
B	BATAM (INDONESIA)	X	REV.	B	SCALE			
VC	CHENNAI (INDIA)	X	REFERENCE :				Volex (Asia) Pte Ltd	
MANUFACTURE LOCATION MARK (' X ' IS APPLICABLE ONLY)			NON APPROVAL				Confidential property of Volex. Information contained herein shall not be disclosed to others, reproduced or used for any other purposes except as authorized in writing by an authorized official of volex asia.	

