

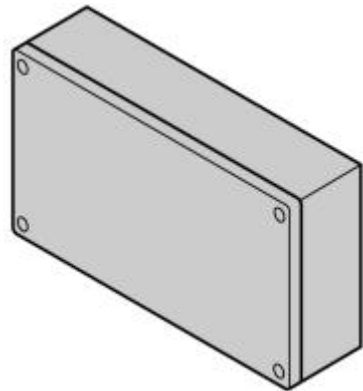
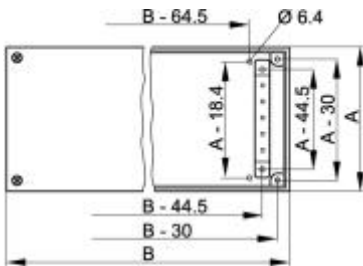
Terminal case



Article number: 12405-002

- Type of protection IP 66
- Pre-assembled and wired before installation with support rails
- Installation of mounting plate instead of mounting rail possible
- Screwed cover

Delivery quantity: assembled



Item	Qty	Description
1	1	Basic case, St, 1.4 mm, RAL 7032
2	1	Top cover, St, 1.4 mm, RAL 7032, with sealing
3	2	Assembly rail, St, 3.4 mm, zinc-plated
4	1	Assembly kit for internal configuration

Technical data:

A	B	C	Weight
150 mm	300 mm	80 mm	1 kg

Technical data:

A = height, B = width, C = depth

Accessories:

- 12405-120 Wall mounting bracket
- 32405-025 Mounting plate
- 62405-003 Support rail TS 35/7.5 (EN 50022)
- 62405-012 Support rail TS 35/15 (EN 50022)
- 21101-836 Earthing kit

Notes:

- Other sizes available on request