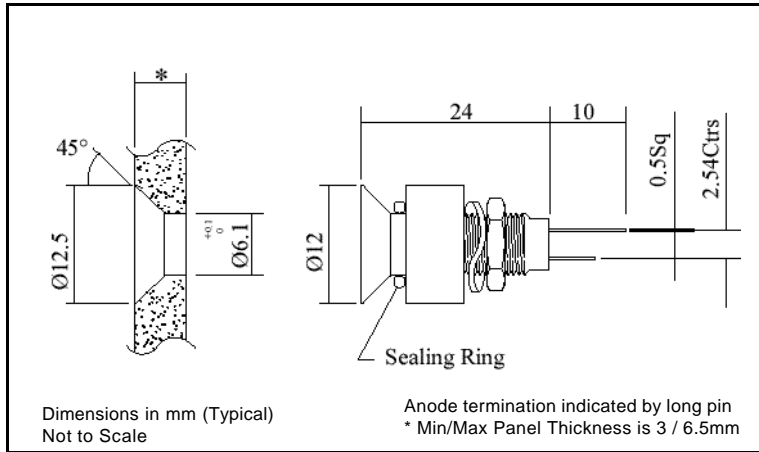


PROFESSIONAL LED INDICATORS - Ø 6.1mm Mounting



- Black anodised aluminium
- Low profile styling
- Sealed to IP67
- Vandal resistant



696 SERIES

MLQ = 10

Ordering Information & Typical Technical Characteristics (Ta = 25°C)

Mean Time Between Failure = 100,000 Hours. Luminous intensity figures refer to the unmodified discrete LED.

PART NUMBER	COLOUR	LENS	VOLTAGE DC Vopr	CURRENT DC Iopr	LUMINOUS INTENSITY Iv@20mA	WAVE LENGTH λp	VIEWING ANGLE	OPERATING TEMP Topr	STORAGE TEMP Tstg
-------------	--------	------	-----------------	-----------------	----------------------------	----------------	---------------	---------------------	-------------------

HIGH INTENSITY

696-301-21	Red	Coloured Diffused	12	20	850	660	Wide	-40 ~ +60	-50 ~ +100
696-325-21	Yellow		12	20	4400	590			
696-324-21	Green		12	20	3400	525			
696-934-21	Blue		12	20	1000	470			
696-998-21	White		12	20	2000	*			
696-301-22	Red		24	20	850	660			
696-325-22	Yellow		24	20	4400	590			
696-324-22	Green		24	20	3400	525			
696-934-22	Blue		24	20	1000	470			
696-998-22	White		24	20	2000	*			
UNITS			Vdc	mA	mcd	nm		°C	°C

\* = Typical emission colour: x=0.31, y=0.32. Colour temperature 8000K. Intensities (Iv) and colour shades of white (x, y co-ordinates) may vary between LEDs within a batch.

Please note - This product is also available at 28 and 48Vdc. Please contact our Sales department for assembly instructions and further details.