

# HU SERIES

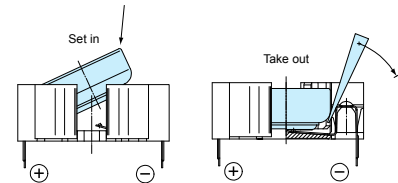
**Technical data**  
 Operating temperature  
 -40°C ~ +100°C

## HU THROUGH HOLE MOUNTING COIN CELL HOLDER



- Through hole mounting type.
- Holder material is heat-resistant glass fiber filled LCP.

How to replace a coin cell



### Components

Holder material	Contact material	Contact finish
Glass fiber filled LCP (UL94V-0)	SUS301	Battery contact = Nickel plated, Solder area contact = Sn plated over nickel

### Part no. / Sales unit

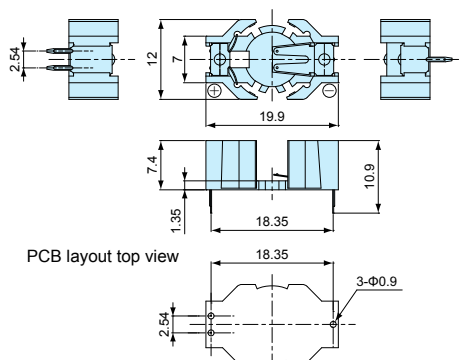
Part no.	Battery	Color	Sales unit
HU 357	LR44 / SR44	Ivory	1
HU1220	CR1220		1
HU1225	CR1225 / BR1225		1
HU1632	CR1632		1
HU2032	CR2032		1
HU2430	CR2430		1
HU2450	CR2450 ※		1
HU 357-T	LR44 / SR44	Ivory	50pcs / tray
HU1220-T	CR1220		50pcs / tray
HU1225-T	CR1225 / BR1225		50pcs / tray
HU1632-T	CR1632		50pcs / tray
HU2032-T	CR2032		50pcs / tray
HU2430-T	CR2430		50pcs / tray
HU2450-T	CR2450 ※		50pcs / tray

※Some CR2450 batteries don't fit onto HU2450.  
 If applying one battery which is not listed below,  
 please have the battery fit on it and test an electrical  
 behavior before use.

Brand (Product no.)	Adaptive
FDK (CR2450C)	○
maxell (CR2450)	○
maxell (CR2450HR)	×
maxell (CR2450HR-Ex)	×
MITSUBISHI (CR2450B)	○
Panasonic (CR2450)	×
RENATA (CR2450N)	○
SANYO (CR2450-1BP)	○
SONY (CR2450B-ECO)	○

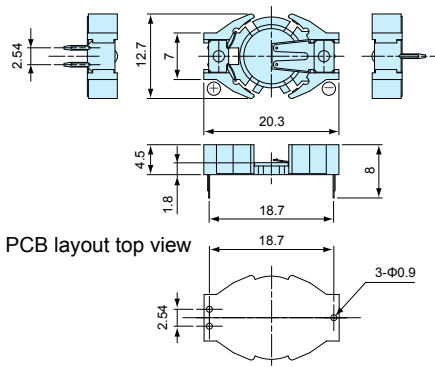
### HU357

• CAD data is downloadable from our website.

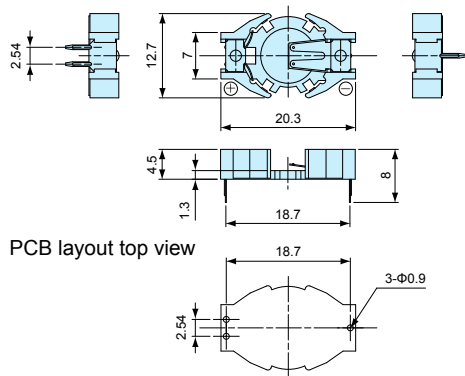


• CAD data is downloadable from our website.

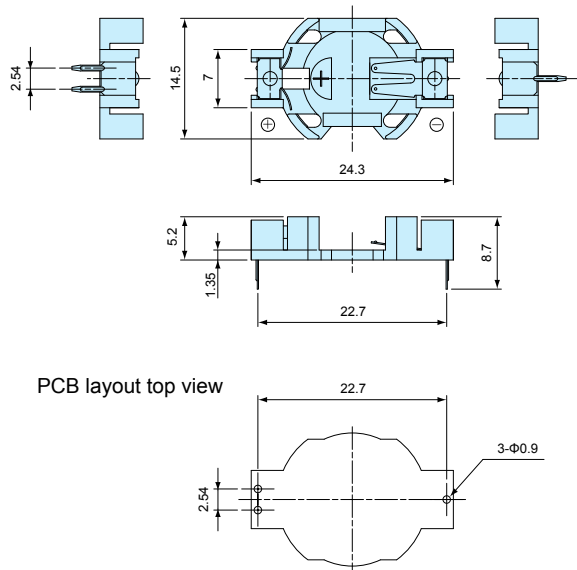
**HU1220**



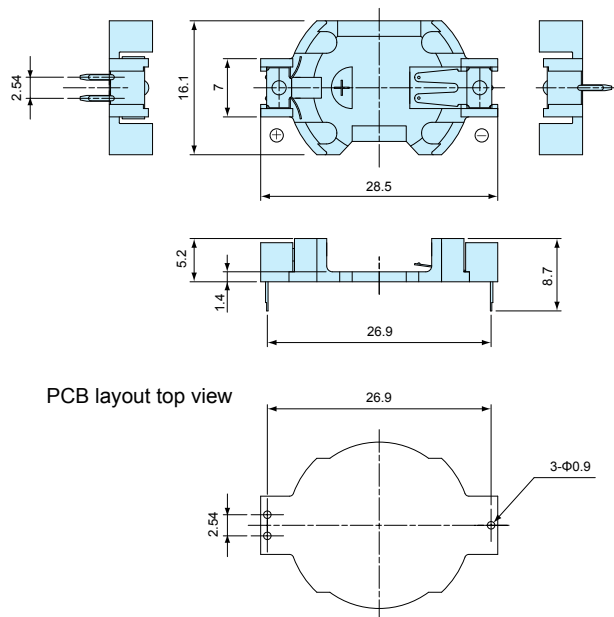
**HU1225**



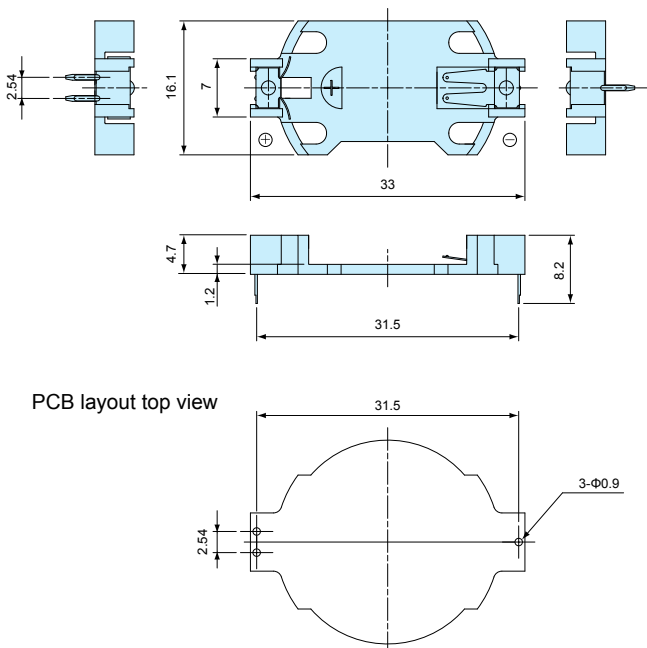
**HU1632**



**HU2032**



**HU2430**



**HU2450**

