

FEATURES

- Our Transformer provides high-quality safety and isolating
- Exceptional low loss noise laminations
- The Transformer has an earth terminal provided
- The Isolation Transformer has reliable protection against humidity
- The Transformer is fully shrouded cage clamp terminal
- Transformer provides high efficiency with a low regulation design
- Dual secondary windings centre tapped

RS PRO 500VA Isolating Transformer, 230 V ac, 245 V ac, 400 V ac, 415 V ac Primary 1 x, 230V ac Secondary

RS Stock No.: 504-228



RS Professionally Approved Products bring to you professional quality parts across all product categories. Our product range has been tested by engineers and provides a comparable quality to the leading brands without paying a premium price.

Product Description

It has been over 100 years since the introduction of the first commercial Transformer when the mass production began. Since then, many additional modifications we developed to support various applications, such as electromagnetic, relays, pumps or heating elements.

General Specifications

| | |
|--------------------------|---|
| Number of Outputs | 1 |
| Applications | Medical industry, Testing power devices, where transfer power between two circuits is mandatory |

Electrical Specifications

| | |
|---------------------------------|--------------------------------|
| Power Rating | 500VA |
| Primary Voltage Rating | 230VAC, 245VAC, 400VAC, 415VAC |
| Secondary Voltage Rating | 230 VAC |
| Temperature Class | B (130°) |
| Flash test | 4.6kV prim./sec. 2kV sec./core |

| Input Data | |
|------------------------------------|------|
| Minimum Operating Frequency | 50Hz |
| Maximum Operating Frequency | 60Hz |

Mechanical Specifications

| | |
|----------------------|-----------------------|
| Mounting Type | Panel Mount |
| Dimensions | 120mm x 143mm x 130mm |
| Length | 120mm |
| Width | 143mm |
| Depth | 130mm |
| Weight | 7.5kg |

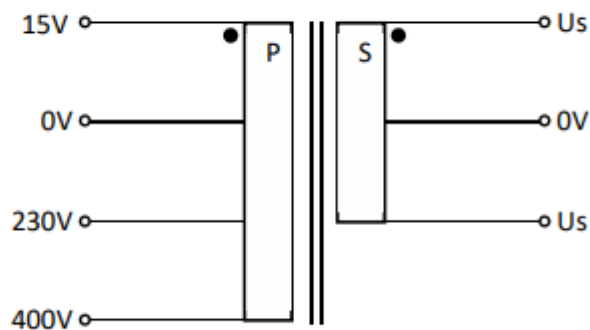
Operation Environment Specifications

| | |
|----------------------------|-------|
| Maximum Temperature | +35°C |
|----------------------------|-------|

Approvals

| | |
|----------------------------------|-------------------------------------|
| Compliance/Certifications | RoHS,CE |
| Standards Met | EN61558-1, EN61558-2-6, EN61558-2-4 |

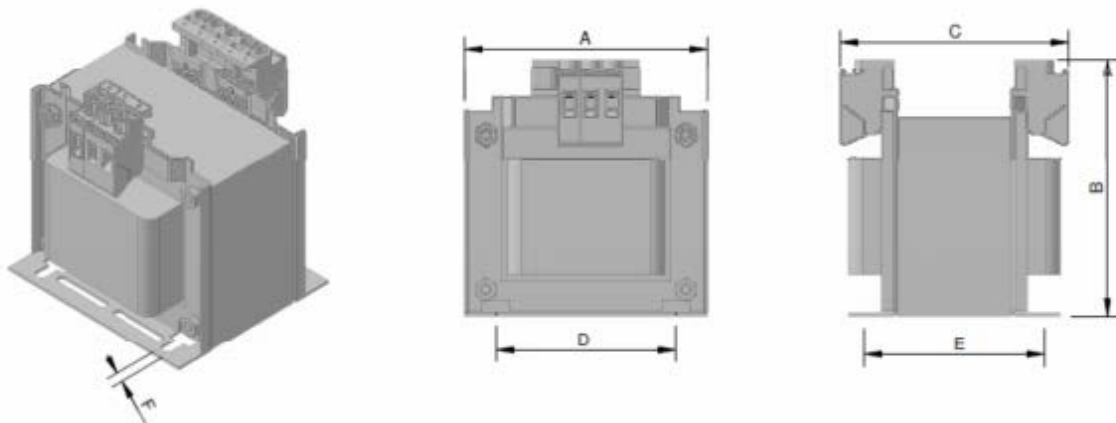
Schematic:



Panel Mount Transformers

| RS Stock number | Power VA | Specification | No-load voltage | According to |
|-----------------|----------|---|-----------------|--------------|
| 504290 | 50 | Isolating Transformers + 15 – 0 – 230 - 400V / 12 – 0 - 12V | 13.1 | EN61558-2-6 |
| 504313 | 50 | Isolating Transformers + 15 – 0 – 230 - 400V / 24 – 0 – 24V | 25.8 | EN61558-2-4 |
| 504296 | 50 | Isolating Transformers + 15 – 0 – 230 - 400V / 55 – 0 - 55V | 59 | EN61558-2-4 |
| 504307 | 50 | Isolating Transformers + 15 – 0 – 230 - 400V / 0 - 230V | 243.2 | EN61558-2-4 |
| 504303 | 100 | Isolating Transformers + 15 – 0 – 230 – 400V / 12 – 0 – 12V | 12.8 | EN61558-2-6 |
| 504151 | 100 | Isolating Transformers + 15 – 0 – 230 – 400V / 24 – 0 – 24V | 25.6 | EN61558-2-4 |
| 504161 | 100 | Isolating Transformers + 15 – 0 – 230 - 400V / 55 – 0 - 55V | 59 | EN61558-2-4 |
| 504167 | 100 | Isolating Transformers + 15 – 0 – 230 - 400V / 0 - 230V | 244 | EN61558-2-4 |
| 504177 | 150 | Isolating Transformers + 15 – 0 – 230 - 400V / 12 – 0 - 12V | 12.7 | EN61558-2-4 |
| 504155 | 150 | Isolating Transformers + 15 – 0 – 230 - 400V / 55 – 0 - 55V | 58.1 | EN61558-2-4 |
| 504173 | 200 | Isolating Transformers + 15 – 0 – 230 - 400V / 12 – 0 - 12V | 12.6 | EN61558-2-6 |
| 504123 | 200 | Isolating Transformers + 15 – 0 – 230 - 400V / 24 – 0 - 24V | 25.3 | EN61558-2-4 |
| 504133 | 200 | Isolating Transformers + 15 – 0 – 230 - 400V / 55 – 0 - 55V | 57 | EN61558-2-4 |
| 504139 | 200 | Isolating Transformers + 15 – 0 – 230 - 400V / 0 - 230V | 239 | EN61558-2-4 |
| 504149 | 300 | Isolating Transformers + 15 – 0 – 230 - 400V / 12 – 0 - 12V | 12.6 | EN61558-2-6 |
| 504145 | 300 | Isolating Transformers + 15 – 0 – 230 - 400V / 24 -0 - 24V | 25.3 | EN61558-2-4 |
| 504212 | 300 | Isolating Transformers + 15 – 0 – 230 - 400V / 55 – 0 - 55V | 57 | EN61558-2-4 |
| 504218 | 500 | Isolating Transformers + 15 – 0 – 230 - 400V / 55 – 0 - 55V | 56.3 | EN61558-2-4 |
| 504228 | 500 | Isolating Transformers + 15 – 0 – 230 - 400V / 0 - 230V | 238.4 | EN61558-2-4 |
| 504224 | 1000 | Isolating Transformers + 15 – 0 – 230 - 400V / 55 – 0 - 55V | 56.1 | EN61558-2-4 |
| 504234 | 1000 | Isolating Transformers + 15 – 0 – 230 - 400V / 0 – 230V | 235.3 | EN61558-2-4 |

Dimensions:



Panel Mount Transformers

| Power | Overall Size | Fixing | Fixing | Weight |
|-------|-----------------|------------|--------|--------|
| [VA] | A x B x C [mm] | D x E [mm] | F [mm] | [kg] |
| 50 | 84 x 91 x 84 | 64 x 64 | 4.5 | 1.9 |
| 100 | 84 x 91 x 97 | 64 x 72 | 4.5 | 2.5 |
| 150 | 108 x 110 x 90 | 84 x 72 | 6.5 | 3.5 |
| 200 | 108 x 110 x 114 | 84 x 92 | 6.5 | 5 |
| 300 | 120 x 130 x 143 | 90 x 106 | 6.5 | 6.9 |
| 500 | 120 x 130 x 143 | 90 x 106 | 6.5 | 7.5 |
| 1000 | 150 x 155 x 175 | 122 x 132 | 7 | 14.6 |