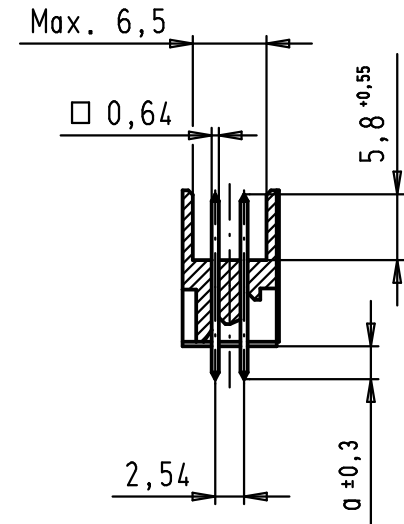
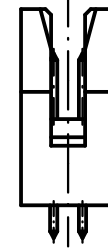
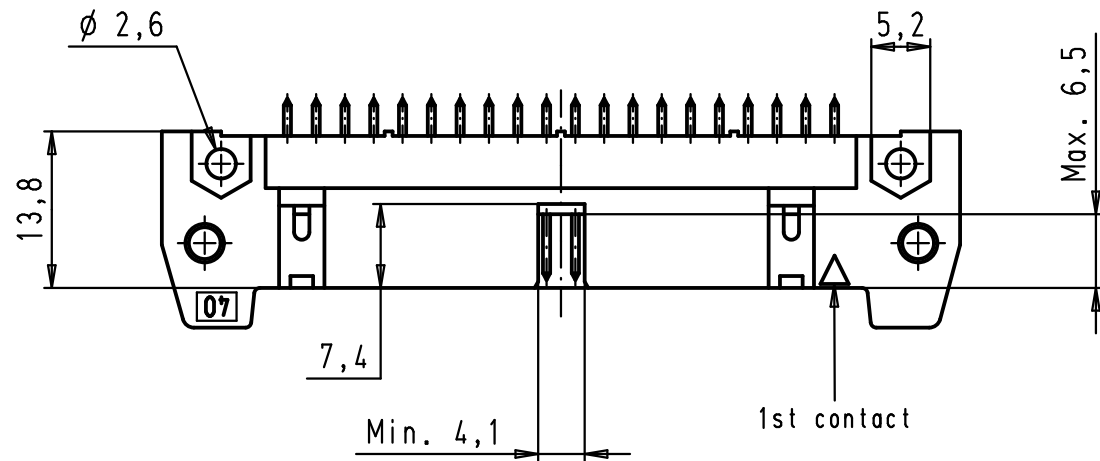
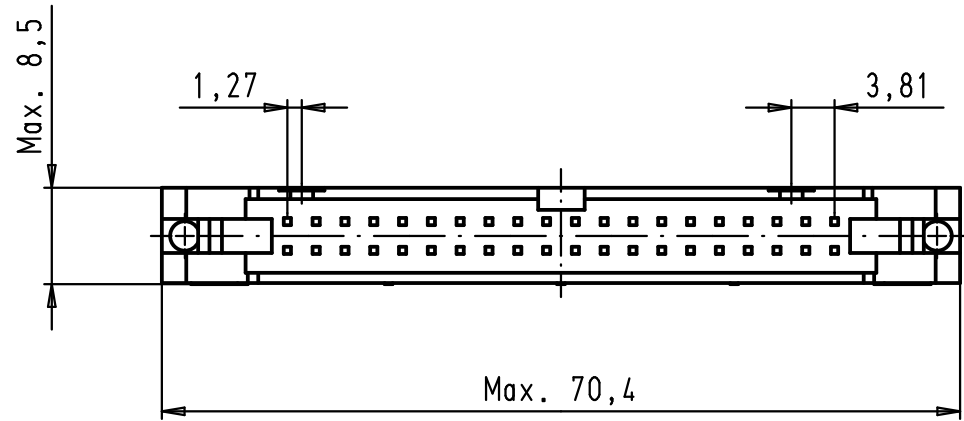
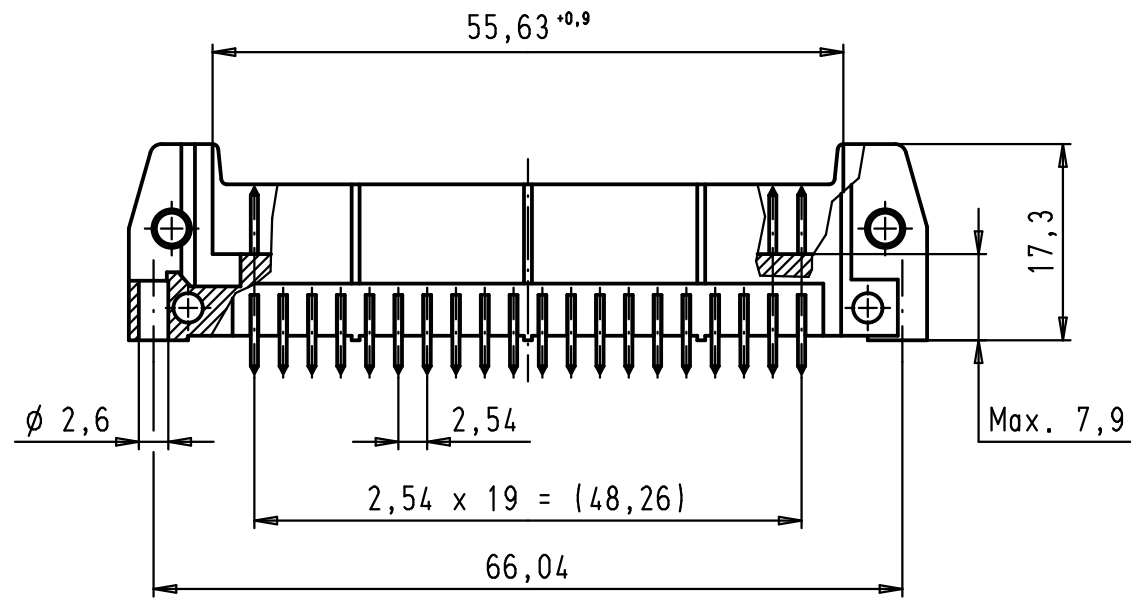
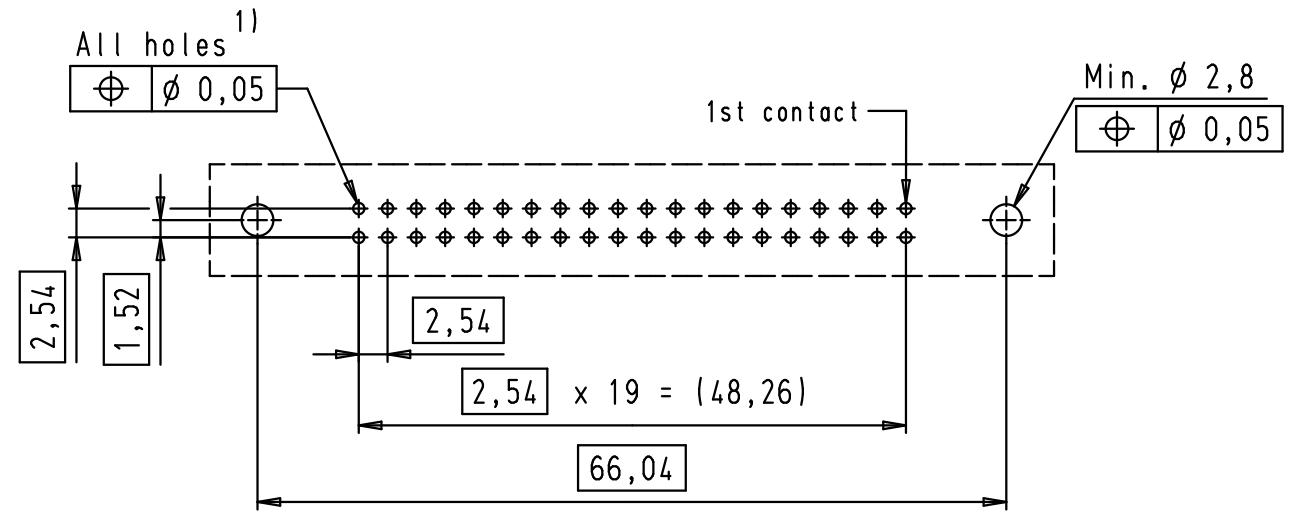


Alle Rechte vorbehalten/ All rights reserved



PCB layout, component side



1) Solder pins for PCB connections $\phi 1 \pm 0,1$ according to IEC 60 326-3

09 18 540 7922	3	4,5
09 18 540 6922	2	4,5
09 18 540 5922	0,76 $\mu\text{m Au}$	4,5
09 18 540 7924	3	2,9
09 18 540 6924	2	2,9
09 18 540 5924	0,76 $\mu\text{m Au}$	2,9
Part number	Performance level	a

				Det.	Name	 All Dim. in mm Orig. Size DIN A 3	SEK 18 Male Connector Standard 40 poles Straight solder pins Without locking levers	Maßstab/ Scale 1,5:1	
				Detail.	01/12/99				JB
34900	29/01/08	LP	Insp.						
27931	15/06/00	JB	Stand.						
26554	01/12/99	JB							
Mod.	Det.	Name	HARTING EURL F-95972 Paris				TB 09 18 540 X92X	Blatt/ Page 1/2	
									Sub.