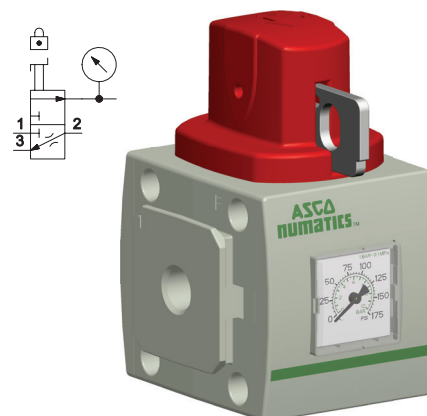


SHUT-OFF ISOLATION VALVE

- Robust and easy-to-operate shut-off valve, with lockout on handle
- Provides shut-off to downstream machinery
- Optional low profile integrated gauge provides clear indication of the downstream pressure, and when the downstream components can be safely removed when pressure (P2) is at zero
- Available as 3/2 or 2/2 construction



Performance Data					
Series	651		652		
Port sizes	1/8, 1/4		1/4, 3/8, 1/2		
Thread type	G (NPTF in option)				
Nominal flow - ISO 6358 P1 = 6,3 bar ΔP = 1 bar	l/min (ANR)		l/min (ANR)		
	1 → 2	2 → 3	1 → 2	2 → 3	
	1/8	1440	250	-	-
	1/4	4720	250	4300	230
	3/8	-	-	8800	230
1/2	-	-	11400	230	
Maximum inlet pressure (bar)	16				
Ambient temperature range (°C)	-10 to +50				
Fluid temperature range (°C)	-10 to +50				
Fluid	air or inert gas				
Weight (kg)	0,260		0,438		

Materials in contact with fluid	
Body	Aluminium
Body covers	Polyamide
Ball	Zinc plated steel
Seat	PTFE
Seals	NBR

HOW TO ORDER

Shut-Off Isolation Valve

G 651 A 3 M 0 2 G A00 00

[2D/3D CAD models - In 3D](#)

Thread connection
G = ISO 228/1-G*
8 = NPTF

Product series
651
652

Revision letter
A

Product type
2 = 2/2 - Shut Off Valve
3 = 3/2 - Shut Off Valve

Valve Type
M = Manually Operated Ball Valve with Lockout

Pilot valve/Electrical connection
0 = No Electrical Connection

Port size
1 = 1/8 (651 Series)
2 = 1/4 (651 or 652 Series)
3 = 3/8 (652 Series)
4 = 1/2 (652 Series)

* Conforms to ISO standards 1179-1.

** [If multiple options are required, please use the on-line CAD configurator on the website to generate the part number \(www.asco.com\).](#)

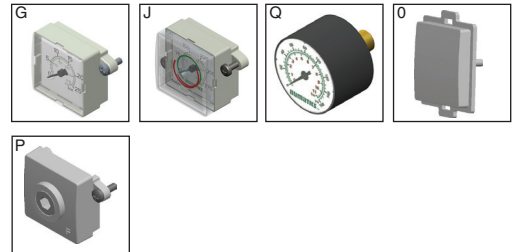
Options**

- A00 = Without option
- 101 = Side Mounting Brackets
- 109 = FPM seals
- 111 = Metal Muffler
- 112 = Polyethylene Muffler
- 113 = Stainless steel fasteners
- 115 = Scissor Lock
- 117 = ATEX zones 1-21
- 122 = Bottom oriented pressure adjustment
- 123 = Gauge type mounted for right-to-left flow
- 2B9 = 111 + 115



Gauge type

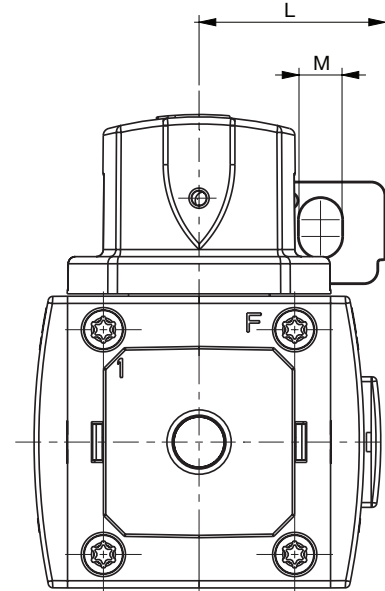
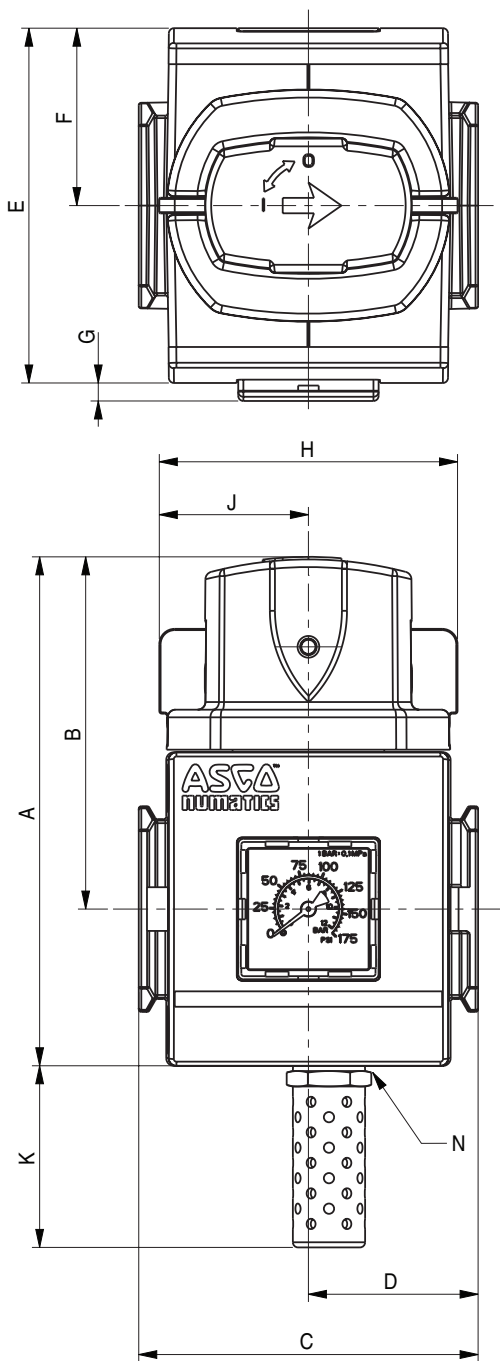
- G = Low profile integrated gauge bar/PSI
- J = Low profile integrated gauge bar/PSI with pressure range indicators
- Q = Round gauge bar/PSI
- 0 = No gauge port
- P = Port Plate Rc 1/8



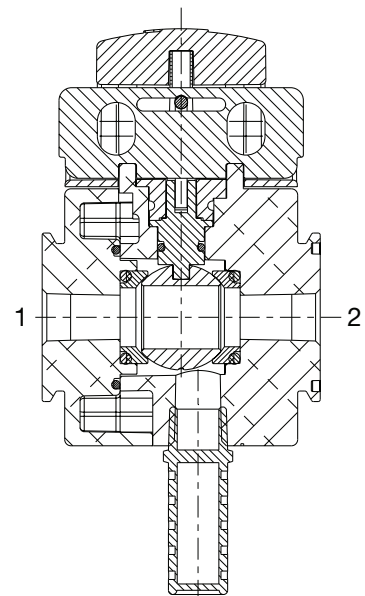
Dimensions: mm

Dimensional Drawing - 651/652 Series Shut-Off Isolation Valve

[2D/3D CAD models - In 3D](#)



Cross Section - 651/652 Series Shut-Off Isolation Valve



Series	A	B	C	D	E	F	G	H	J	K	L	M	N
651	90,5	65,5	50	25	58	29	4,4	57,8	28,9	35,5	38	9	G1/4
652	99	68	66	33	69	34,5	2,5	58	29	35	39	9	G1/4