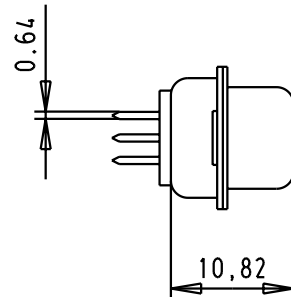
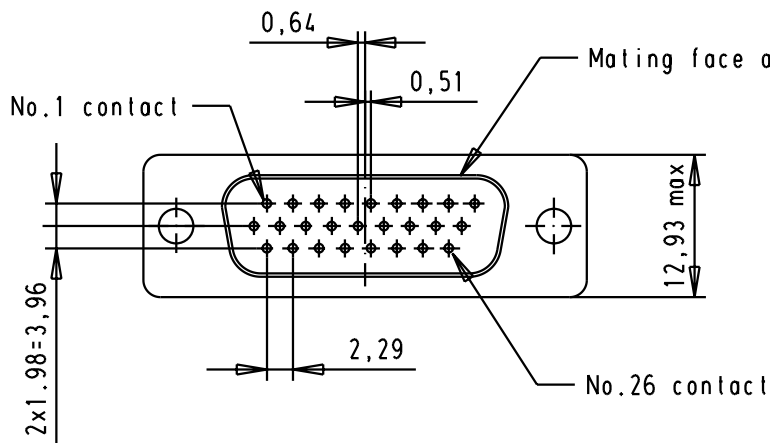
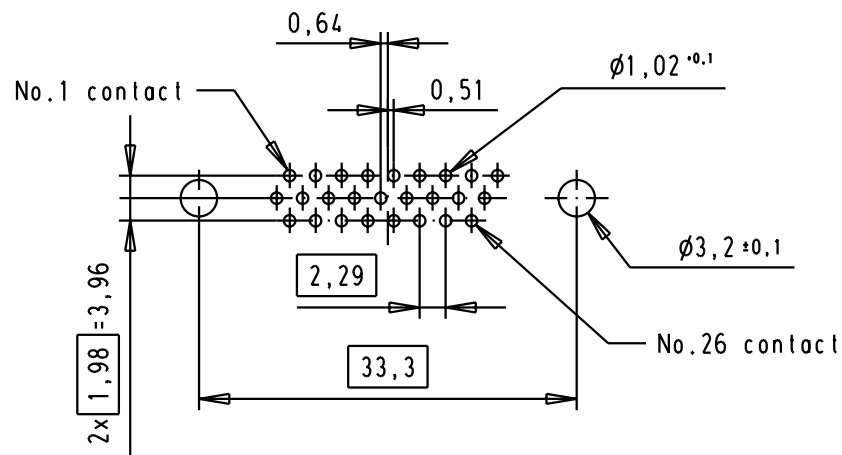
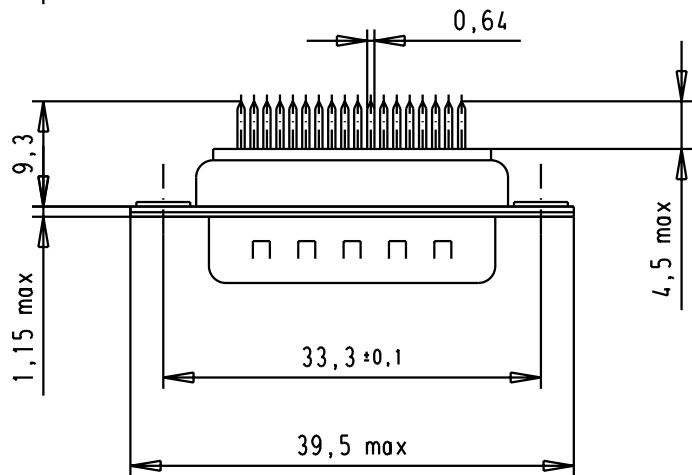
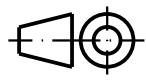



5 4 3 2 1



Printed board layout, component side



A							Detail.	Date	Name	 All Dim. in mm Orig. Size DIN A 4	D-Sub, Male, high density, 26 poles, straight, with stamped solder contacts and hole	Maßstab/ Scale	
							Insp.	Date	Name			1.5:1	
							Stand.					Blatt / Page	
												1	
09562615700		0.76 µm Au		31352		16-OCT-02		S.H.		 TB 0956261x700		Sub.	
09562617700		3		31064		16-SEP-02		CV					
Part number		Performance level		Mod.		Date		Name					
								HARTING EURL F-95972 Paris					