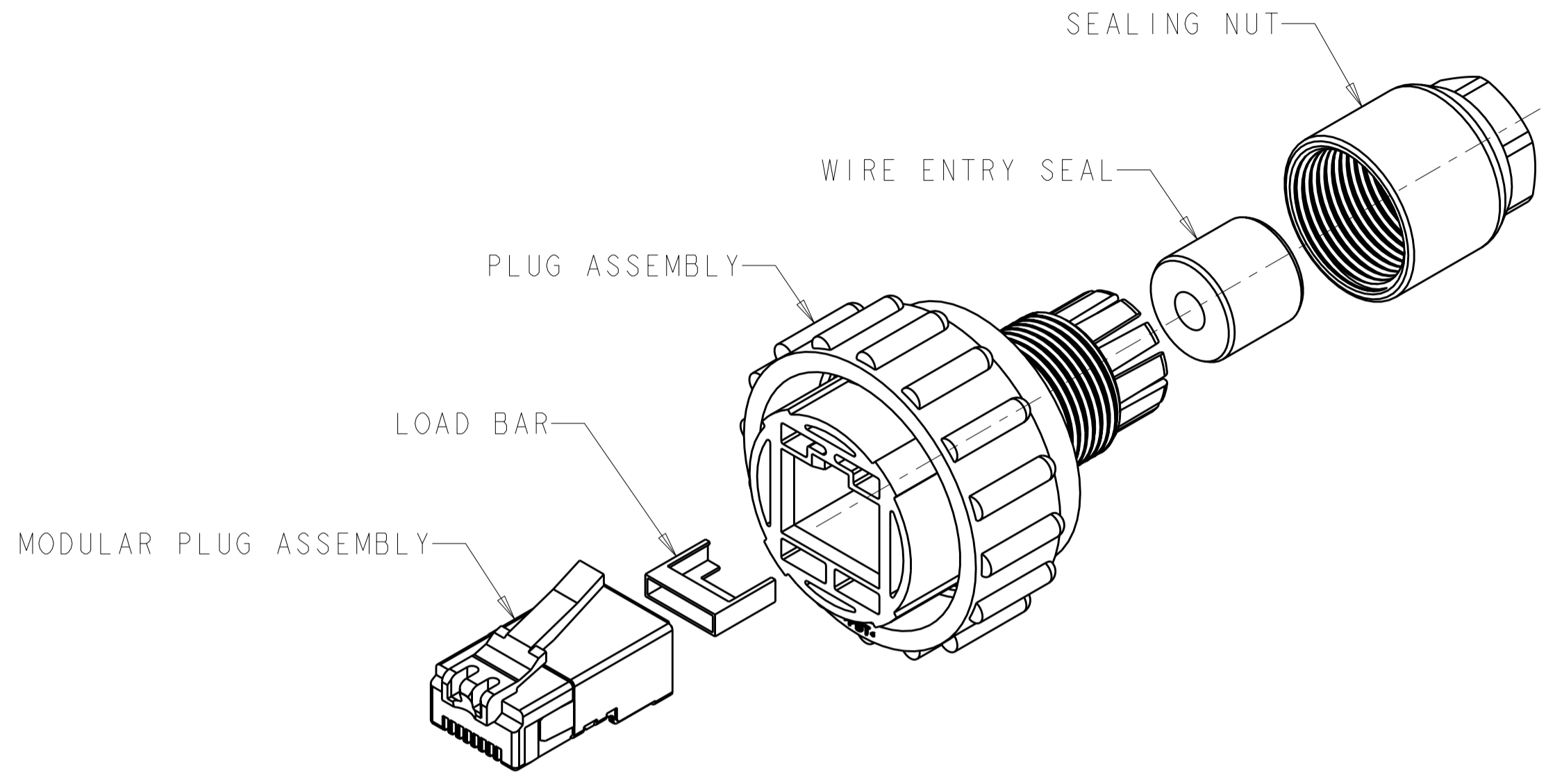
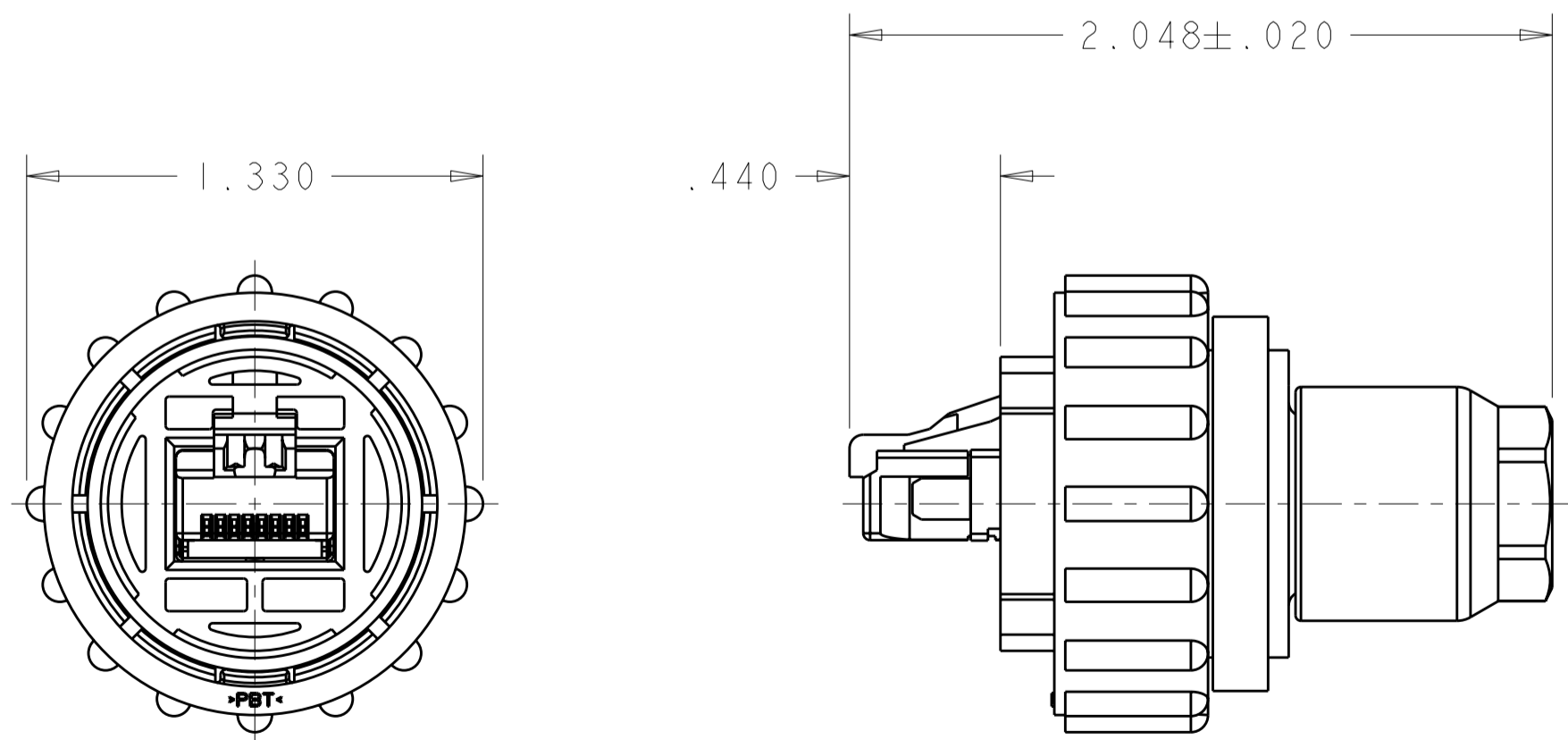


THIS DRAWING IS UNPUBLISHED. RELEASED FOR PUBLICATION 20
 © COPYRIGHT 20 BY TYCO ELECTRONICS CORPORATION. ALL RIGHTS RESERVED.

LOC		DIST		REVISIONS			
P	LTR	DESCRIPTION	DATE	DWN	APVD		
	A	REVISED EC 0G3B-0222-04	08MAR2004	SW	HW		
	B	REVISED ECO-07-009503	24APR2007	SW	CR		



- 1. PARTS PACKAGED UNASSEMBLED.
- 3. CABLE DIAMETER RANGE: .180[4.6]-.236[6.0].



ASSEMBLED VIEW

STRANDED	1546907-2
SOLID	1546907-1
WIRE TYPE	PART NUMBER

THIS DRAWING IS A CONTROLLED DOCUMENT FOR TYCO ELECTRONICS CORPORATION. IT IS SUBJECT TO CHANGE AND THE CONTROLLING ENGINEERING ORGANIZATION SHOULD BE CONTACTED FOR THE LATEST REVISION.		DWN	08MAR2004	AMP Tyco Electronics Harrisburg, PA 17105-3608	
DIMENSIONS: INCHES		CHK	08MAR2004		
TOLERANCES UNLESS OTHERWISE SPECIFIED:		APVD	08MAR2004		
0 PLC ± 1 PLC ±0.1 2 PLC ±0.02 3 PLC ±0.005 4 PLC ±0.0005 ANGLES ± FINISH		PRODUCT SPEC			
MATERIAL		APPLICATION SPEC		NAME	PLUG KIT, UNASSEMBLED, SHIELDED, CPC INDUSTRIAL ETHERNET
		WEIGHT		SIZE	A2
		CUSTOMER DRAWING		CAGE CODE	00779
				DRAWING NO	1546907
				RESTRICTED TO	
				SCALE	2:1
				SHEET	1
				OF	1
				REV	B