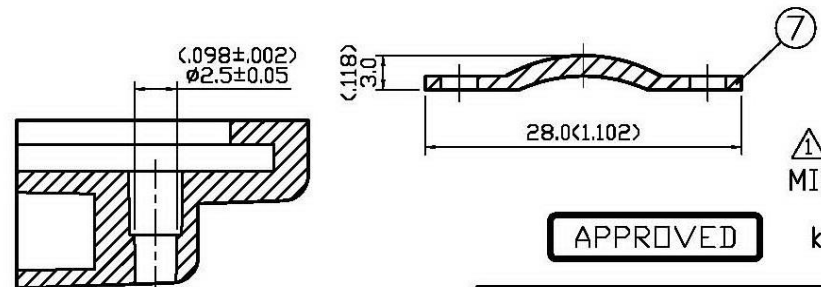
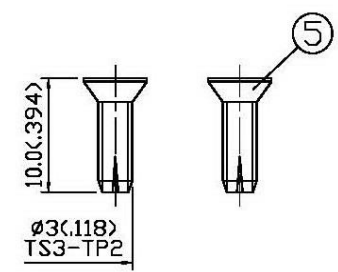
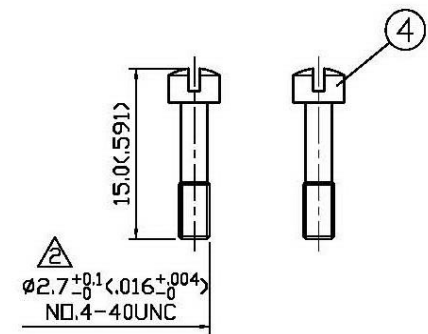
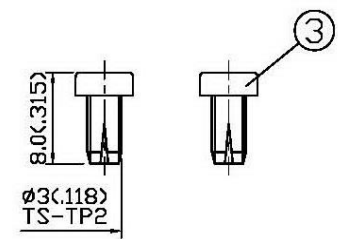
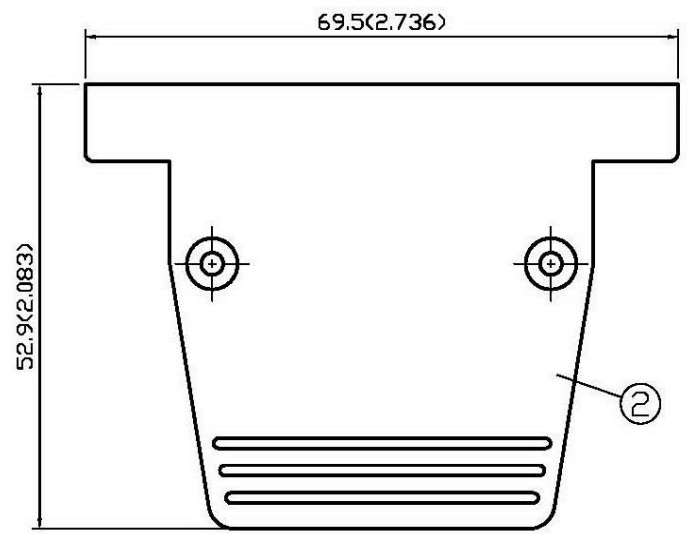
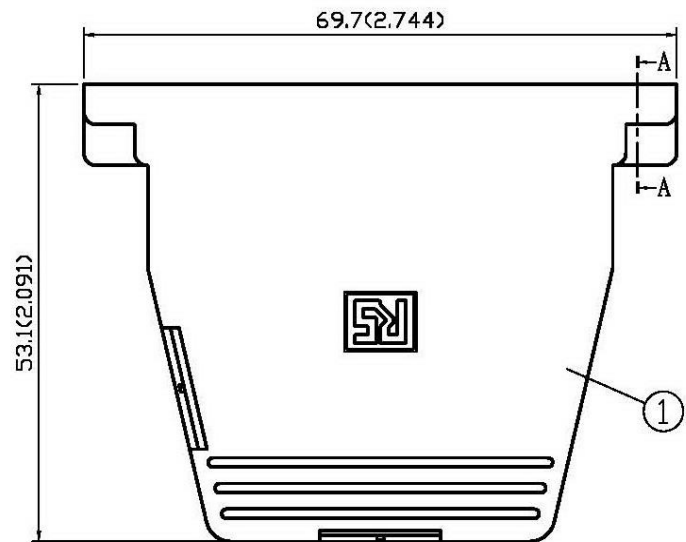
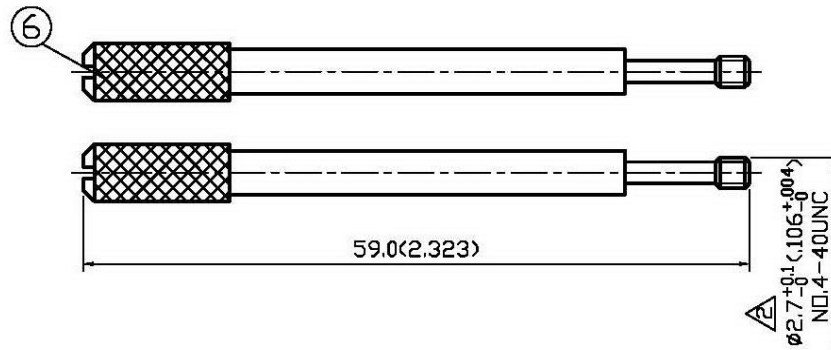


NO	DESCRIPTION	DATE
①	ADD MIS PART NO.	04.01.04'
②	ADD A-A SECTION $\phi 2.7 \rightarrow \phi 2.7^{+0.1}_0$	12.02.04'
③	ADD (P/N:544-3452)	04.15.10'



MIS PART NO: 069-0050H-03 (P/N:544-3452)

APPROVED by _____ DATE: _____

7	SPRING	IRON	1	ZINC
6	SCREW	IRON	2	ZINC
5	SCREW	IRON	2	ZINC
4	SCREW	IRON	2	ZINC
3	SCREW	IRON	2	ZINC
2	CAP	ABS	1	NONE
1	BODY	ABS	1	NONE
NO	DESCRIPTION	MATERIAL	Q'TY	FINISH

A-A SECTION



DESCRIPTION		50PIN D-HOOD-3	
製圖	DRAWN	TOLERANCE	品名
Yoko	X	±0.2	50PIN D-HOOD-3
檢圖	CHECK	.XX	TITLE
Arc	.XXX	±0.1	\ROHS COMPLIANT
認定	APPROVAL	ANGLE	單位
Angela	±0.05	±5°	mm(in)
			DWG.NO.
			55-0089
			SCALE
			2:1
			DATE
			10.30.96
			版次
			A-3
			REV.