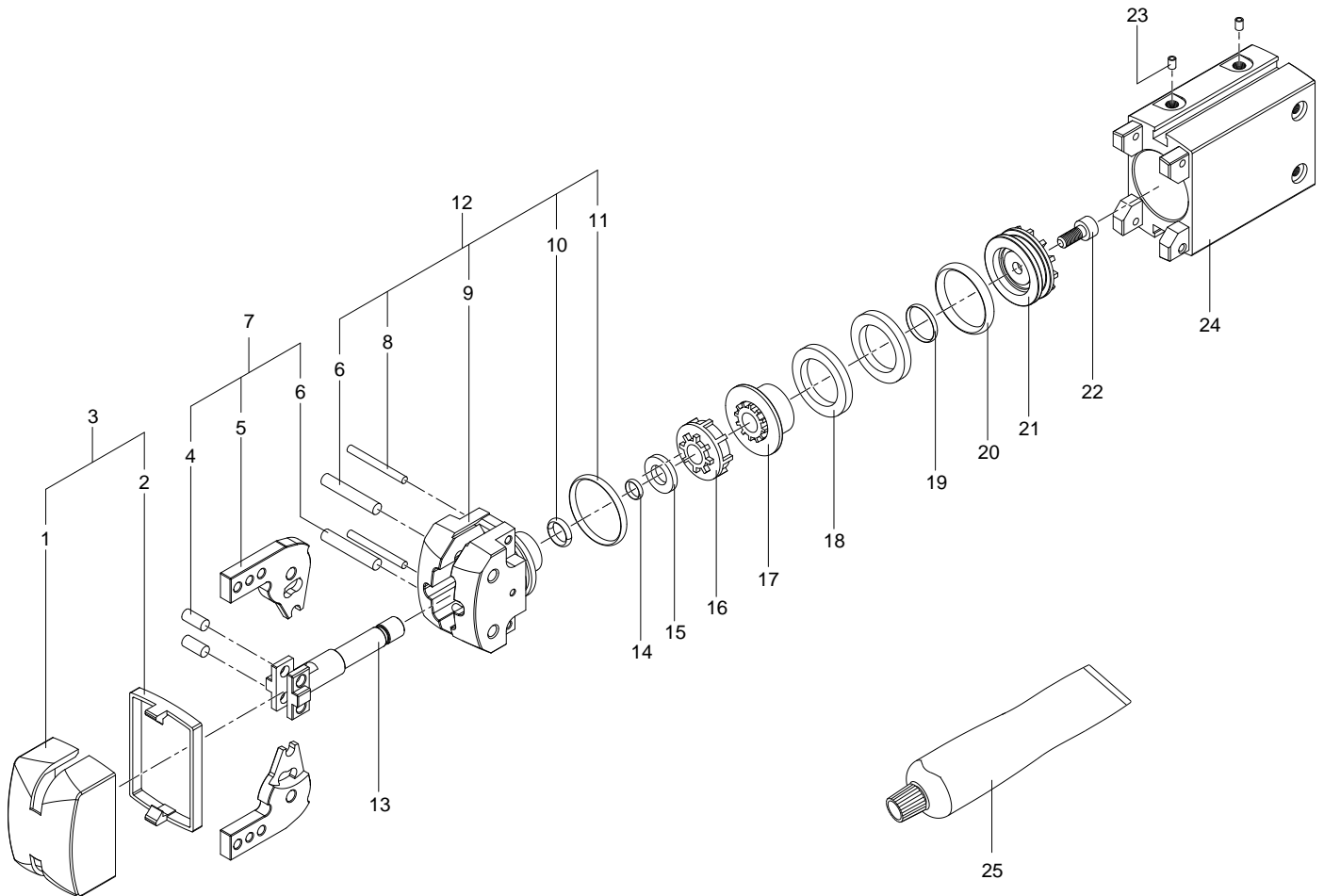


1310180 DHWS-25-A Angle gripper - Series: All



1310180 DHWS-25-A Angle gripper - Series: All

Pos.	Part no.	Type	Note	Qty.	Unit
A	1564129	DHRS-25-A Set of wearing parts	Spare parts: 10, 11	1	PC
1			Not available separately, see position 3	1	PC
2			Not available separately, see position 3	1	PC
3	1564128	DHRS-25-A Covering		1	PC
4			Not available separately, see position 7+998	2	PC
5			Not available separately, see position 7	2	PC
6			Not available separately, see position 7+12+998+999	2	PC
7	1567997	DHWS-25-A Gripper jaw		1	PC
8			Not available separately, see position 12+998+999	2	PC
9			Not available separately, see position 12	1	PC
10			Not available separately, see position 12+999 Grease using during assembly. See position 25	1	PC
11			Not available separately, see position 12+999 Grease using during assembly. See position 25	1	PC
12	1564127	DHRS-25-A Jaw guide		1	PC
13			Not available separately, see position 998	1	PC
14			Not available separately, see position 998+999 Grease using during assembly. See position 25	1	PC
15			Not available separately, see position 998+999	1	PC
16			Not available separately, see position 998	1	PC
17			Not available separately, see position 998	1	PC
18			Not available separately, see position 998	2	PC
19			Not available separately, see position 998+999 Grease using during assembly. See position 25	1	PC
20			Not available separately, see position 998+999 Grease using during assembly. See position 25	1	PC
21			Not available separately, see position 998	1	PC
22			Not available separately, see position 998	1	PC
23			Not available	2	PC
24			Not available	1	PC
25	397394	LUB-M1-SILIKONFREI-10ML Lubricating grease		1	PC
99 8	1567996	DHWS-25-A Piston module		1	PC