



FASTON | FASTON 250

TE Internal #: 8-321235-1

Butt Splice, 22 – 10 AWG, .33 – 6 mm² Wire, Fully Insulated, 1 Splice Capacity, Brass, 66.68 mm [2.625 in] Length, Loose Piece, FASTON 250

[View on TE.com >](#)

Terminals & Splices > Splices



Splice Type: **Butt Splice**

Wire Size: **.33 – 6 mm²**

Sealable: **No**

Splice Capacity: **1**

Features

Product Type Features

Splice Accessory Type	Splice
Splice Type	Butt Splice
Sealable	No

Configuration Features

Splice Capacity	1
-----------------	---

Body Features

Product Weight	2.993 g
Insulation Material	Vinyl

Contact Features

Contact Base Material	Brass
-----------------------	-------

Housing Features

Housing Material	PVC
------------------	-----

Dimensions

Wire Size	.33 – 6 mm ²
-----------	-------------------------



Terminal Material Thickness	.81 mm[.032 in]
-----------------------------	-----------------

Product Length	66.68 mm[2.625 in]
----------------	--------------------

Usage Conditions

Insulation Option	Fully Insulated
-------------------	-----------------

Operating Temperature Range	0 – 105 °C[32 – 221 °F]
-----------------------------	-------------------------

Industry Standards

Compatible With Agency/Standards Products	CSA, RU (UL Component Program)
---	--------------------------------

Government Qualified Splice	No
-----------------------------	----

Packaging Features

Packaging Quantity	100
--------------------	-----

Packaging Method	Loose Piece
------------------	-------------

Product Compliance

[For compliance documentation, visit the product page on TE.com>](#)

EU RoHS Directive 2011/65/EU	Compliant
------------------------------	-----------

EU ELV Directive 2000/53/EC	Compliant
-----------------------------	-----------

China RoHS 2 Directive MIIT Order No 32, 2016	有害物质含量符合标准要求 No Restricted Substance(s) Above Threshold
---	---

EU REACH Regulation (EC) No. 1907/2006	Current ECHA Candidate List: JUNE 2025 (250) Candidate List Declared Against: JUNE 2025 (250) Does not contain REACH SVHC
--	---

Halogen Content	Not Low Halogen - contains Br or Cl > 900 ppm.
-----------------	--

Solder Process Capability	Not applicable for solder process capability
---------------------------	--

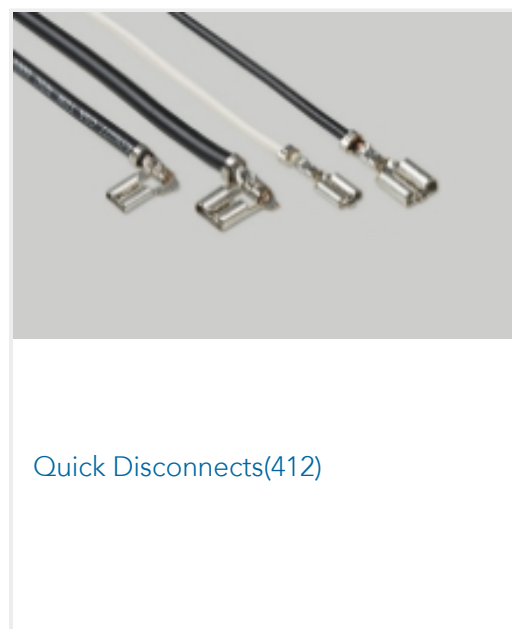
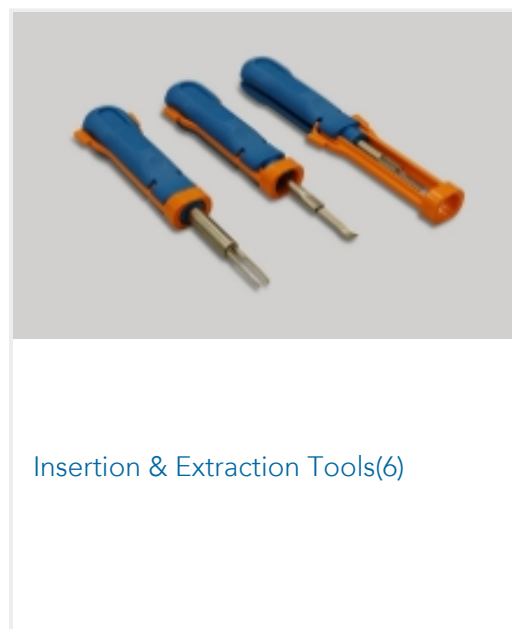
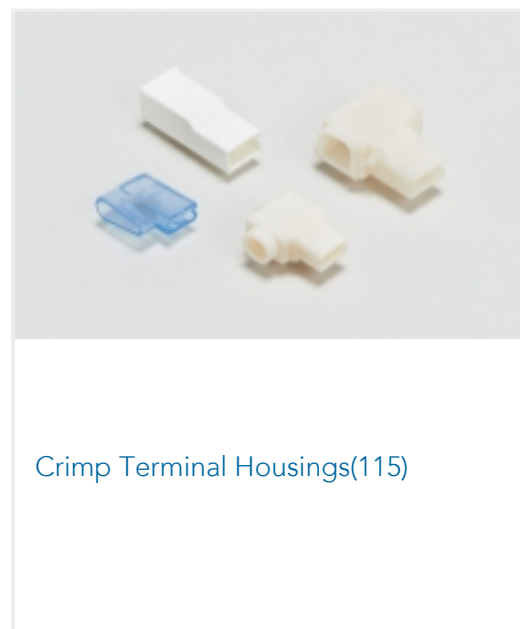
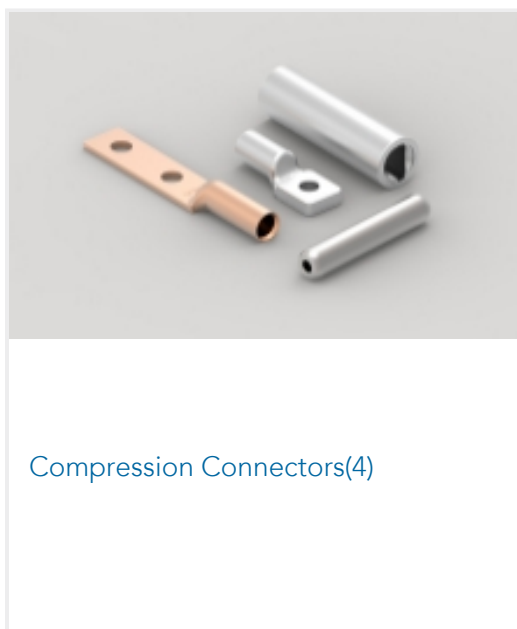
Product Compliance Disclaimer

This information is provided based on reasonable inquiry of our suppliers and represents our current actual knowledge based on the information they provided. This information is subject to change. The part numbers that TE has identified as EU RoHS compliant have a maximum concentration of 0.1% by weight in homogenous materials for lead, hexavalent chromium, mercury, PBB, PBDE, DBP, BBP, DEHP, DIBP, and 0.01% for cadmium, or qualify for an exemption to these limits as defined in the Annexes of Directive 2011/65/EU (RoHS2). Finished electrical and electronic equipment products will be CE marked as required by Directive 2011/65/EU. Components may not be CE marked. Additionally, the part numbers that TE has identified as EU ELV compliant have a maximum concentration of 0.1% by weight in homogenous materials for lead, hexavalent chromium, and mercury, and 0.01% for cadmium, or qualify for an exemption to these limits as defined in the Annexes of Directive 2000/53/EC (ELV). Regarding the REACH Regulation, the information TE provides on SVHC in articles for this part number is based on the latest European Chemicals Agency (ECHA) 'Guidance on requirements for substances in articles' posted at this URL: <https://echa.europa.eu/guidance-documents/guidance-on-reach>

Compatible Parts

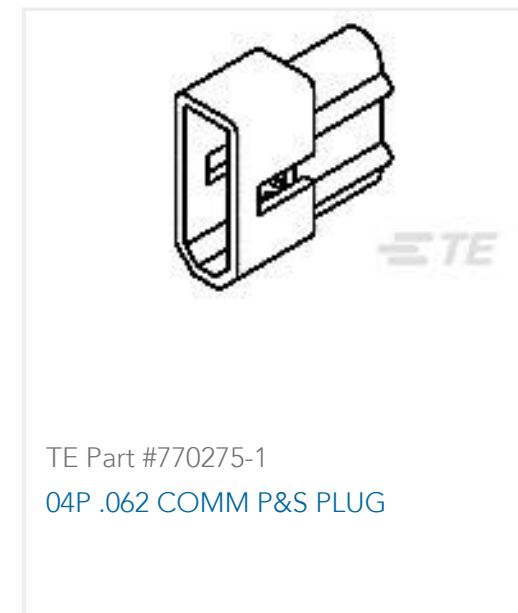


Also in the Series | FASTON 250



Customers Also Bought





Documents

Product Drawings

[RECEPT, FASTON SPLICE 22-10](#)

English

CAD Files

[3D PDF](#)

English

Customer View Model

[ENG_CVM_8-321235-1_U3.3d_igs.zip](#)

English

Customer View Model

[ENG_CVM_8-321235-1_U3.3d_stp.zip](#)

English

Customer View Model

[ENG_CVM_8-321235-1_U3.2d_dxf.zip](#)

English

[3D PDF](#)

3D

Customer View Model

[ENG_CVM_CVM_8-321235-1_T.2d_dxf.zip](#)

English

Customer View Model

[ENG_CVM_CVM_8-321235-1_T.3d_igs.zip](#)

English

Customer View Model

[ENG_CVM_CVM_8-321235-1_T.3d_stp.zip](#)

English



By downloading the CAD file I accept and agree to the [Terms and Conditions](#) of use.

Agency Approvals

Agency Approval Document

English