



ENGLISH

## Product Datasheet

# RS-M200S Waterproof Micro pump



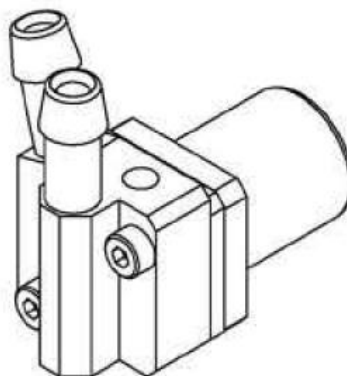
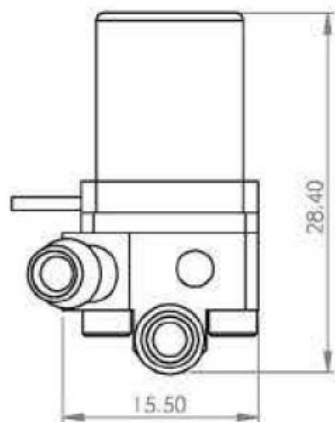
The M200 series range of pumps are constructed from precision CNC machined aluminium alloy with stainless steel tubing connectors. The M200 range is fitted with Viton seals as standard. Alternative seal materials and optional wetted part coatings and materials are also available enabling this pump range to resist most chemicals and solvents. The pump uses efficient push fit connectors designed for 3.2mm flexible tubing. A 220mm electrical fly-lead is fitted as standard.

### Standard features:

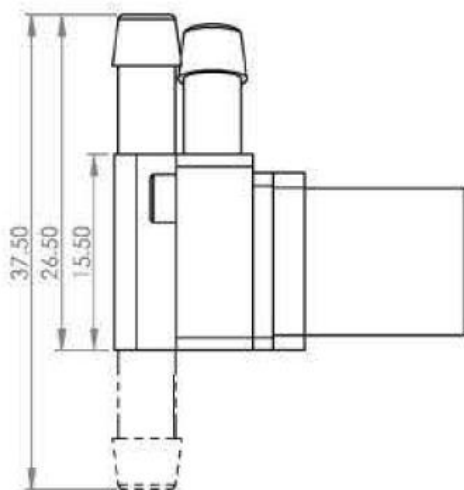
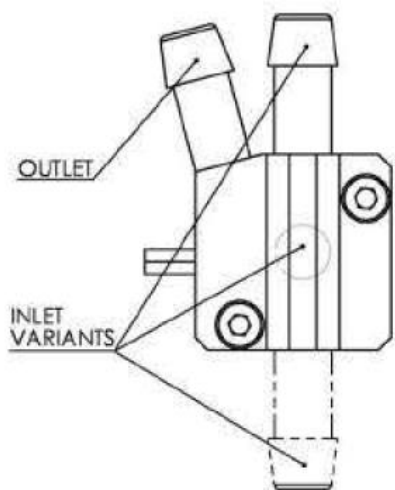
- CNC aluminium alloy construction
- Quiet pulseless smooth flow
- Small size only 28 x 14 x 14 mm
- Weight 11 - 13g
- Free flow up to 535ml per minute (water)
- Operating Temp -20 to 100 deg C
- Power by Solar supply, PSU or batteries
- Smooth pulseless flow
- IP Rating IP67
- Noise Levels <1dB

### Typical Applications

- Medical devices
- Fuel Cells
- Battery and Solar Powered Systems
- Cooling Systems
- Low Pressure Fuel Pump
- Lubrication systems



Connectors to suit 3.2mm tubing



Variant	Input	Power	Flow	Pressure
	(V)	(W)	(ml/min)	(mBar)
M200S	2	0.4	170	0.4
	3	0.9	294	1.75
	4.5	2.1	535	3.4

