



PLASTI-GRIP

TE Internal #: 34069

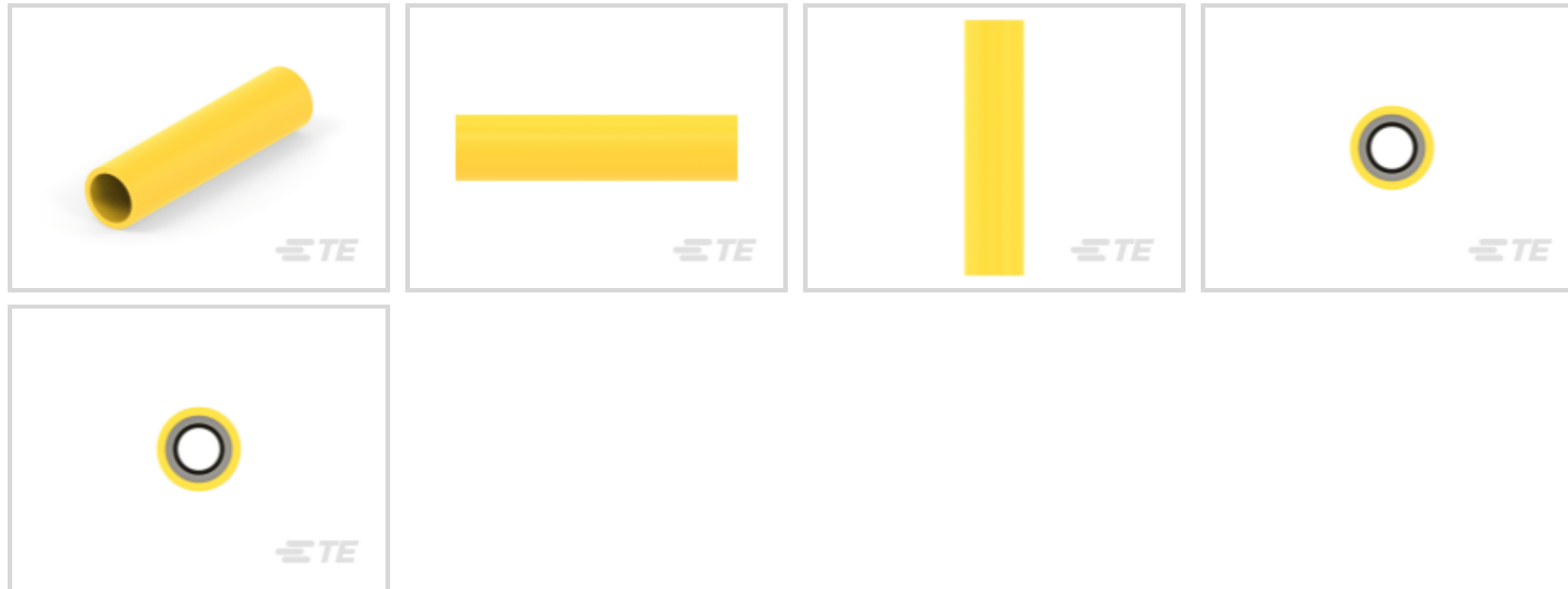
Butt Splice, 12 – 10 AWG, 3 – 6 mm<sup>2</sup> Wire, Serrated, 5180 – 13100

CMA, Copper, Yellow, 29.46 mm [1.16 in] Length, Loose Piece,

PLASTI-GRIP

[View on TE.com >](#)

Terminals & Splices > Splices



Splice Type: **Butt Splice**

Wire Size: **3 – 6 mm<sup>2</sup>**

Sealable: **No**

Splice Features: **Serrated**

**Features**

**Product Type Features**

Splice Accessory Type	Splice
Splice Type	Butt Splice
Sealable	No
Compatible With Discrete Wire Type	Solid, Stranded
Wire Insulation Support Retention Type	Insulation Support

**Configuration Features**

Compatible With Wire & Cable Type	Discrete Wire
-----------------------------------	---------------

**Body Features**

Product Weight	.568 g
Insulation Material	Vinyl
Splice Features	Serrated
Primary Product Color	Yellow

**Contact Features**

Terminal Plating Material	Tin
---------------------------	-----



Contact Base Material	Copper
-----------------------	--------

Barrel Type	Closed
-------------	--------

### Mechanical Attachment

Wire Insulation Support	With
-------------------------	------

### Dimensions

Wire Size	5180 – 13100 CMA
-----------	------------------

Compatible Insulation Diameter Range	5.08 mm[.2 in]
--------------------------------------	----------------

Product Length	29.46 mm[1.16 in]
----------------	-------------------

### Usage Conditions

Insulation Option	Fully Insulated
-------------------	-----------------

### Operation/Application

Compatible With Wire Base Material	Copper
------------------------------------	--------

### Industry Standards

Government Qualified Splice	No
-----------------------------	----

### Packaging Features

Packaging Quantity	500
--------------------	-----

Packaging Method	Loose Piece
------------------	-------------

## Product Compliance

[For compliance documentation, visit the product page on TE.com>](#)

EU RoHS Directive 2011/65/EU	Compliant
------------------------------	-----------

EU ELV Directive 2000/53/EC	Compliant
-----------------------------	-----------

China RoHS 2 Directive MIIT Order No 32, 2016	No Restricted Materials Above Threshold
---	---

EU REACH Regulation (EC) No. 1907/2006	Current ECHA Candidate List: JAN 2025 (247) Candidate List Declared Against: JUNE 2024 (241) Does not contain REACH SVHC
--	--

Halogen Content	Not Low Halogen - contains Br or Cl > 900 ppm.
-----------------	--

Solder Process Capability	Not applicable for solder process capability
---------------------------	--

#### Product Compliance Disclaimer

This information is provided based on reasonable inquiry of our suppliers and represents our current actual knowledge based on the information they provided. This information is subject to change. The part numbers that TE has identified as



EU RoHS compliant have a maximum concentration of 0.1% by weight in homogenous materials for lead, hexavalent chromium, mercury, PBB, PBDE, DBP, BBP, DEHP, DIBP, and 0.01% for cadmium, or qualify for an exemption to these limits as defined in the Annexes of Directive 2011/65/EU (RoHS2). Finished electrical and electronic equipment products will be CE marked as required by Directive 2011/65/EU. Components may not be CE marked. Additionally, the part numbers that TE has identified as EU ELV compliant have a maximum concentration of 0.1% by weight in homogenous materials for lead, hexavalent chromium, and mercury, and 0.01% for cadmium, or qualify for an exemption to these limits as defined in the Annexes of Directive 2000/53/EC (ELV). Regarding the REACH Regulation, the information TE provides on SVHC in articles for this part number is based on the latest European Chemicals Agency (ECHA) 'Guidance on requirements for substances in articles' posted at this URL: <https://echa.europa.eu/guidance-documents/guidance-on-reach>

## Compatible Parts



TE Part # 169404  
CERTI-LOK DIE



TE Part # 58423-1  
DIE, RBY IS9252



TE Part # 58433-3  
PRO CR ASSY, RBY IS9252

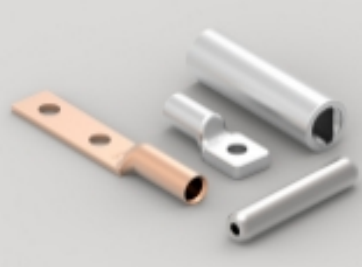


TE Part # 59239-4  
HHHT PIDG PG 12-10 ASSY



TE Part # 59824-1  
TETRA-CRIMP PIDG PG FASTON 22-10 ASSY


## Also in the Series | PLASTI-GRIP



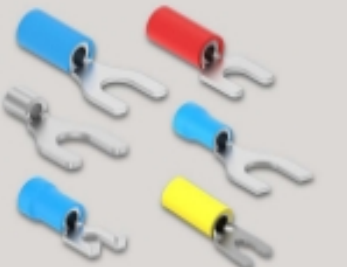
Compression Connectors(3)



Crimp Wire Pins, Tabs & Ferrules(20)



Ring Terminals(310)

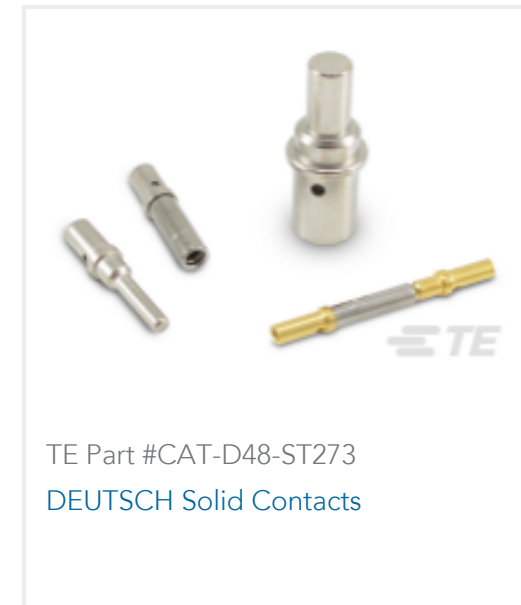
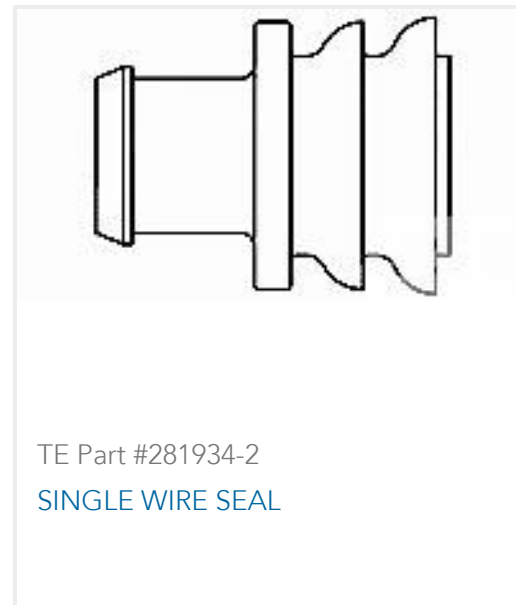


Spade Terminals(158)



Splices(45)

## Customers Also Bought



## Documents

### Product Drawings

#### SPLICE,PG BUTT 12-10

English

### CAD Files

#### 3D PDF

3D

#### Customer View Model

[ENG\\_CVM\\_CVM\\_34069\\_J.2d\\_dxf.zip](#)

English

#### Customer View Model

[ENG\\_CVM\\_CVM\\_34069\\_J.3d\\_igs.zip](#)

English

#### Customer View Model

[ENG\\_CVM\\_CVM\\_34069\\_J.3d\\_stp.zip](#)

English

By downloading the CAD file I accept and agree to the [Terms and Conditions](#) of use.

### Product Specifications

#### Application Specification

English

### Instruction Sheets

#### Instruction Sheet (U.S.)

English

### Agency Approvals

34069

Butt Splice, 12 – 10 AWG, 3 – 6 mm<sup>2</sup> Wire, Serrated, 5180 – 13100 CMA, Copper, Yellow, 29.46 mm [1.16 in] Length, Loose Piece, PLASTI-GRIP



[UL Report](#)

English

[UL Report](#)

English