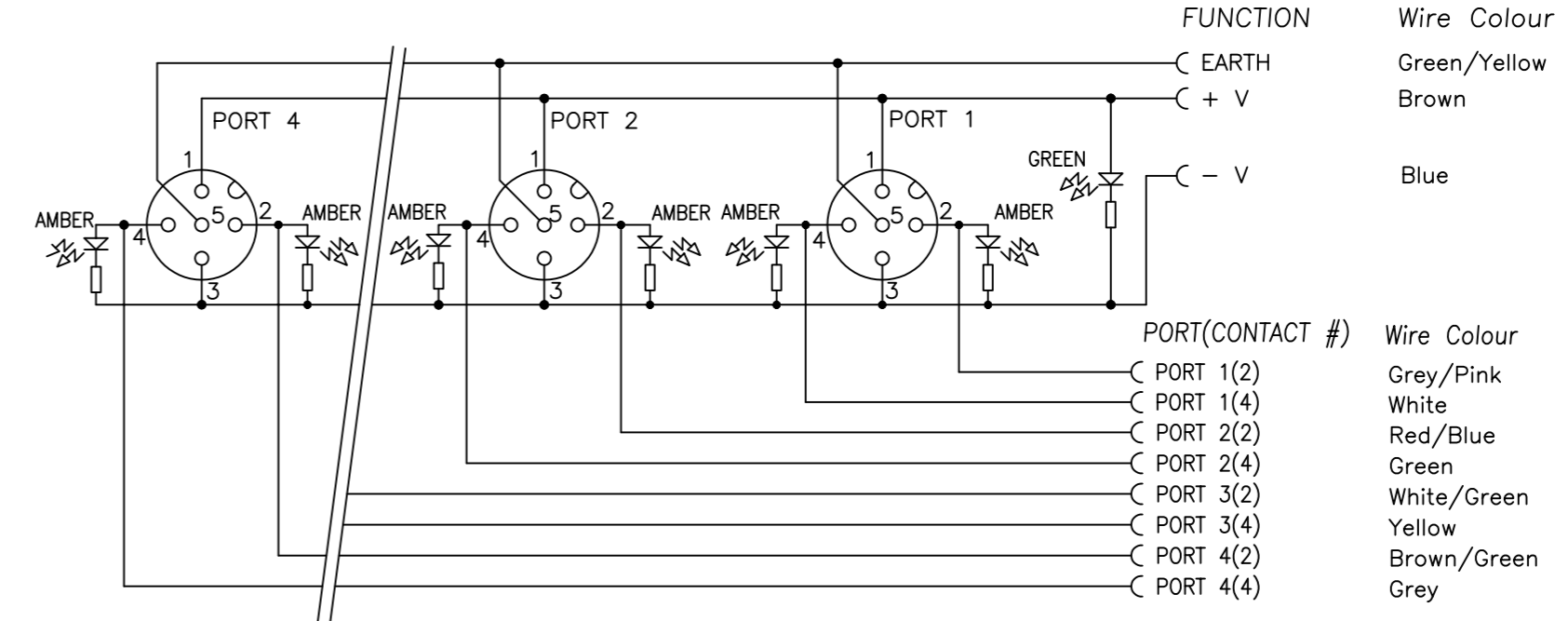
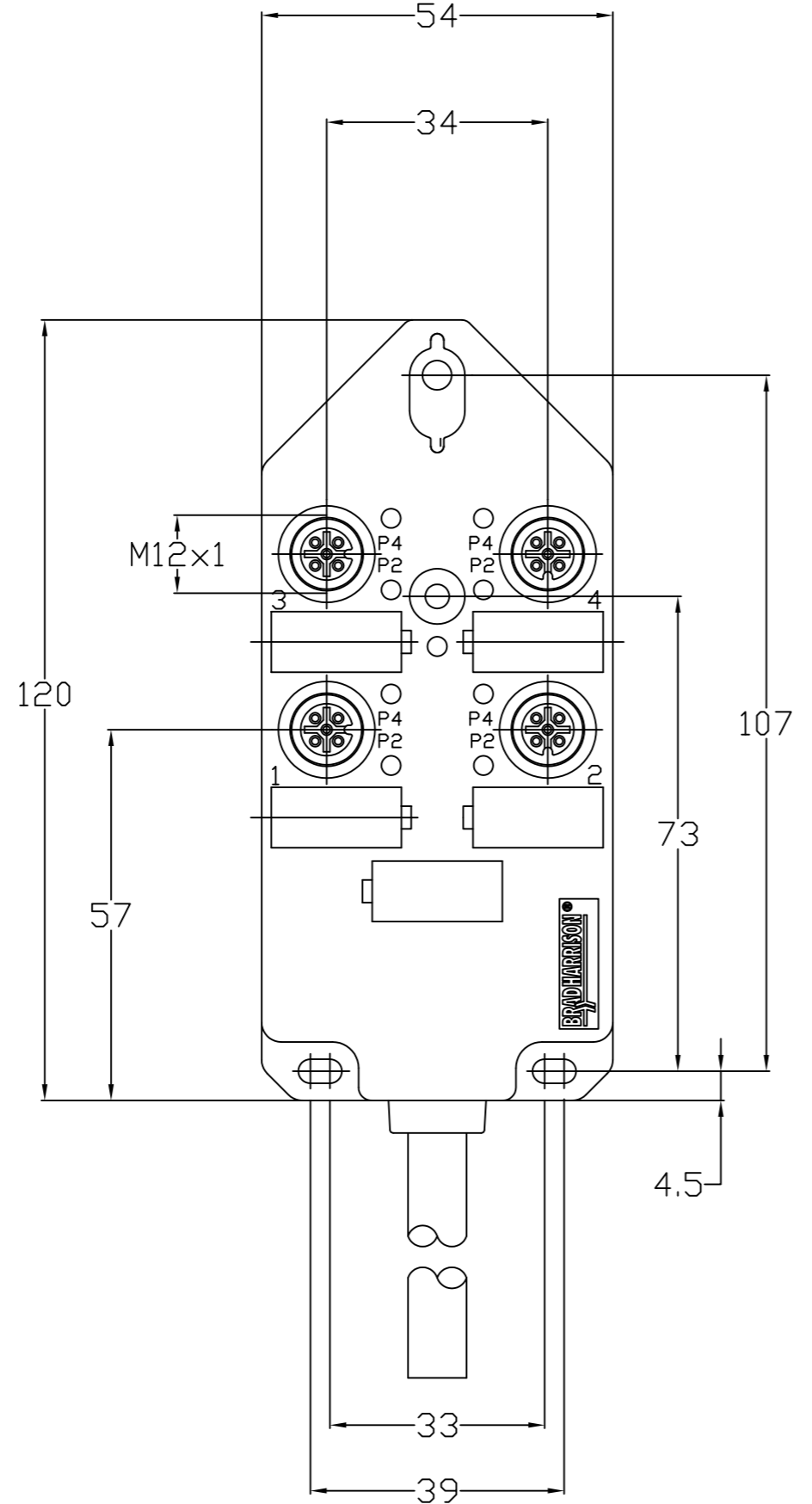
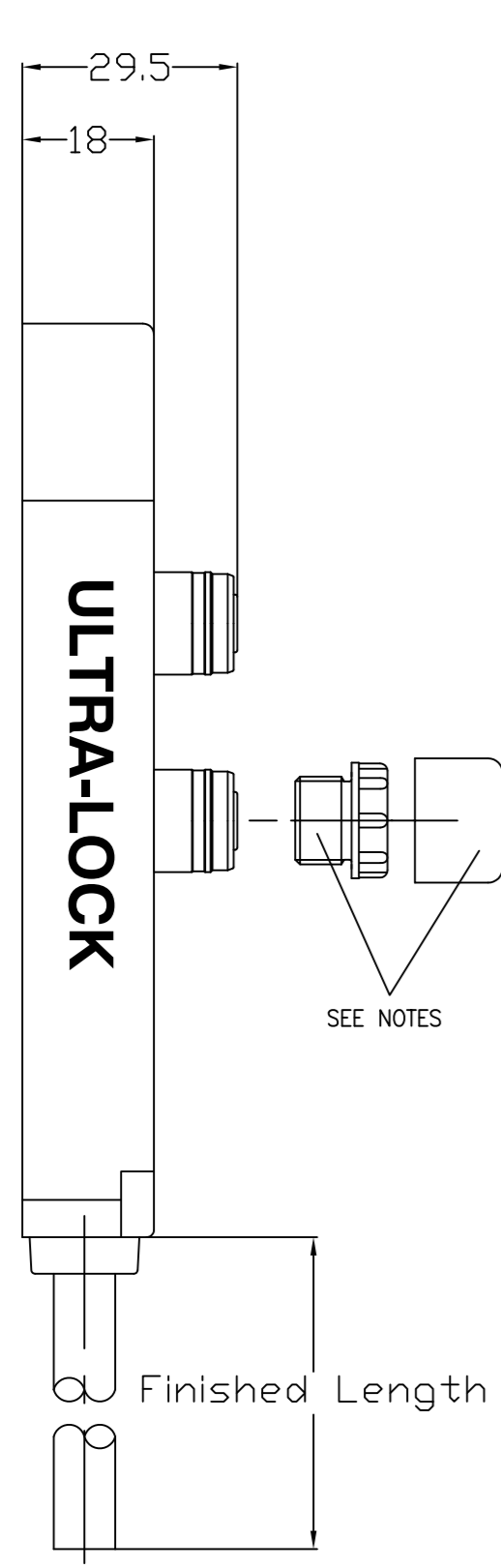


SAP-Nummer	alte Artikel-Nr.	Beschreibung	Farbe	Länge in mm
SAP-NUMBER	OLD ENGINEERING-No.	DESCRIPTION	COLOR	FINISHED LENGTH in mm
1201190007	BKY405P-FBP-05	ULTRA-MPIS-4W-8I/O-5M-PUR	gelb/YELLOW	5000 ±50
1201148026	BKY405P-FBP-10	ULTRA-MPIS-4W-8I/O-10M-PUR	gelb/YELLOW	10000 ±50
1201190035	BKY405P-FBP-15	ULTRA-MPIS-4W-8I/O-15M-PUR	gelb/YELLOW	15000 ±50



SPECIFICATION
MATERIALS:
 HOUSING & INSERT: PBT
 COUPLING: BRASS-NICKEL PLATED
 O-RING: VITON
ELECTRICAL:
 VOLTAGE: 10-30VDC
 CURRENT RATING: 4A PER PORT, 12 AMPS MAX.
 PROTECTION CLASS: IP68

NOTES:
 THREADED PLUG FITTED TO PORTS 1 & 2 ONLY
 PROTECTION CAP FITTED TO ALL M12 PORTS
 FIXING HOLES TO SUIT M4 SCREWS

DESCRIPTION EC NO: WEU2010-0377 DRWN: BBRAUCH CHKD: APOHL APPR: REISSNER	18.02.10 2010/02/24	QUALITY SYMBOLS	GENERAL TOLERANCES (UNLESS SPECIFIED)		DIMENSION STYLE		SCALE	DESIGN UNITS	THIRD ANGLE PROJECTION	
		$\nabla = 0$ $\sphericalangle = 0$	mm	INCH	MM	DRAWN BY	DATE	1:1	METRIC	
2	REV	4 PLACES	±---	±---	BBRAUCH	2009/11/04	ULTRA-MPIS-4W-8I/O-XM -PUR			
		3 PLACES	±---	±---	CHECKED BY	DATE				
		2 PLACES	±0.05	±---	APOHL	2009/11/05	MOLEX INCORPORATED			
		1 PLACE	±0.10	±---	APPROVED BY	DATE				
DRAFT WHERE APPLICABLE MUST REMAIN WITHIN DIMENSIONS		ANGULAR ± --- °		MATERIAL NO.		DOCUMENT NO.		SHEET NO.		
				see table		SD-120119-012		1 OF 1		
				SIZE A2		THIS DRAWING CONTAINS INFORMATION THAT IS PROPRIETARY TO MOLEX INCORPORATED AND SHOULD NOT BE USED WITHOUT WRITTEN PERMISSION				