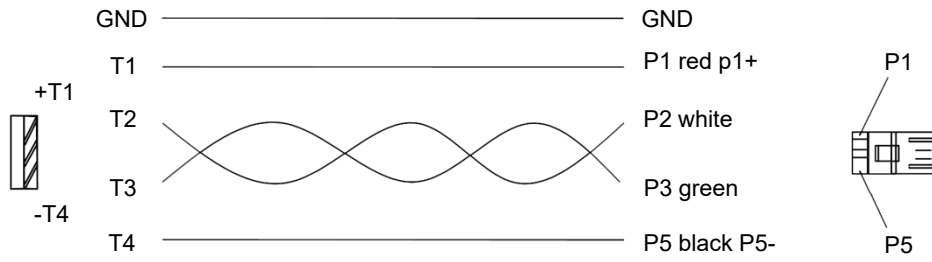
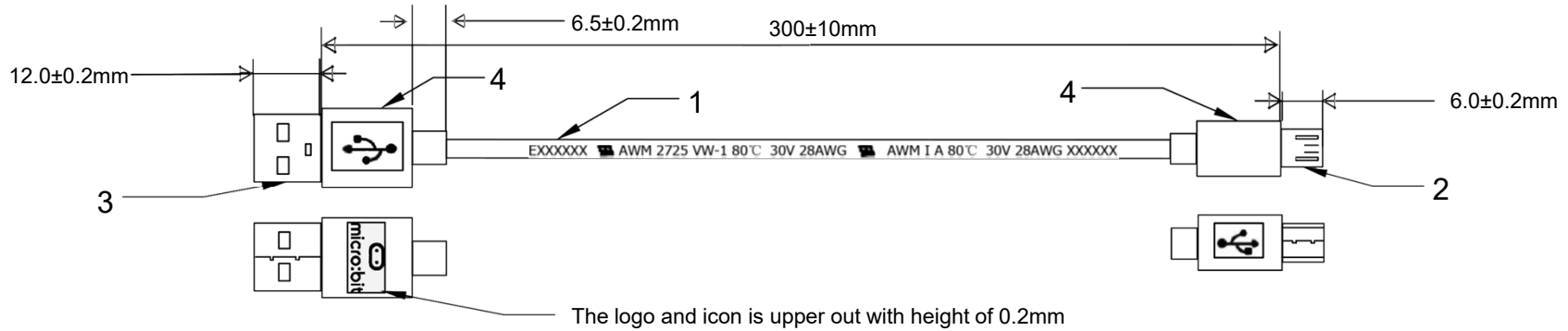


Micro:bit 30cm USB Cable - Black



1. Test Conditions: Conduction, Open short circuit, Insulation resistance 5Mohms, On-resistance 2ohms
2. External inspection: rubber compound after plug formation, glitch, shrink, residual fingerprints, variegated, shell inspection, no scratches, chromatic aberration, size deviation, split and other phenomenon

RoHS Compliant

Ref	Description	Specification	Qty
1	Wire	28AWG (10/0.10) * 4C + AL + D(7/0.12)+#(36*0.08) OD: 3.5 Black PVC L-300mm	0.3M
2	Plug	Micro USB 5P Top five last four data subjects	1pc
3	Plug	USB2.0 Nickel-plated pin and Nickel-plated plug	1pc
4	Head	PVC 40P Black	25G

FILE NAME: MEF USB A Black Cable 30cm Version 1
 PART NUMBER: MEFUSBB30AV1

Micro:bit Educational Foundation 

LAST MODIFIED: 18/05/22 DRAWN BY: Lumartech Ltd VERSION: 1.1 PAGE: 1 of 1