

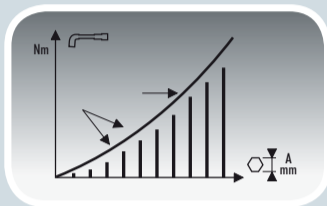
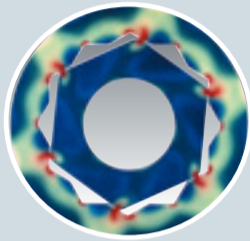
Standard series



OGV[®] angled open-socket wrenches

Facom OGV[®] profile

- Facom OGV[®] 6 and 12-point profiles extend contact area while reducing stress.
- Increased torque.
- Longer tool life.
- Protected fastener corners.



Through-hole and deep recess

- Angle and through-hole design accommodates threaded rods or a bar for extra leverage, without affecting wrench strength.
- Deep recess at one end and open-end socket at the other fit over protruding studs

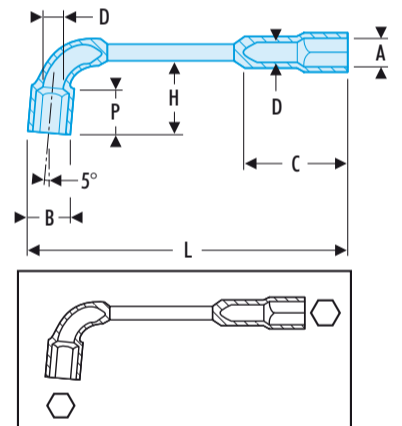
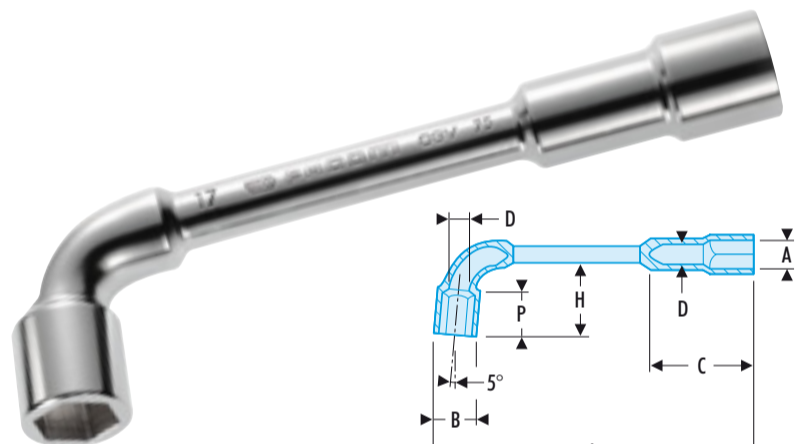


75 Forged metric and inch 6 x 6 point OGV[®] angled open-socket wrenches

▷ ISO 2236, NF ISO 2236.

- Satin chrome finish.

⇒ A mm	⇒ A"	B mm	C mm	P mm	D mm	H mm	L mm	ΔΔ g
75.6	75.1/4	10	21	6	5	15	102	32
75.7		11	22	7	5	17	106	35
75.8	75.5/16	12,5	25	8	7	19	114	60
75.9		13,5	26	9	7	20	122	65
75.10	75.3/8	15	28	10	8	24	129	95
75.11	75.7/16	16,5	30	11	8	25	136	114
75.12		18	36	12	9	28	144	152
75.13	75.1/2	19,5	38	13	9	30	152	175
75.14		21	40	14	10,5	32	160	202
75.15	75.9/16	22,5	42	15	10,5	34	169	226
75.16	75.5/8	24	46	16	13	37	178	285
75.17		25,5	48	17	13	39	187	312
75.18	75.11/16	26,5	50	18	13	40	195	365
75.19	75.3/4	28,5	51	19	15	41	204	430
75.20		29,5	53	20	15	43	212	440
75.21	75.13/16	30,5	55	21	15	46	221	490
75.22		32	57	22	15	48	230	536
75.23	75.7/8	33,5	64	23	18	51	240	626
75.24	75.15/16	34,5	67	24	18	54	250	660
75.25		36	69	25	20	56	260	785
75.26	75.1'	37	70	26	20	57	270	795
75.27		38,5	73	27	22	58	280	950
75.28		39,5	75	28	22	60	290	950
75.29		41	76	29	22	62	300	1050
75.30		42	83	30	24	64	310	1300



⇒ A mm	⇒ A"	B mm	C mm	P mm	D mm	H mm	L mm	ΔΔ g
75.31		43,5	86	30	24	70	320	1385
75.32		44,5	88	31	24	74	330	1400
75.33		46	92	32	27	79	340	1480
75.34		47,5	95	33	27	80	350	1550
75.35		48,5	96	34	27	81	360	1630
75.36		49,5	97	35	27	82	370	1700
75.38		52	99	37	28	85	390	2080

75 Metric and inch angled socket wrench sets

- Supplied as box, module and panel sets.

⇒	⇒	⇒	⇒	⇒ mm/"	ΔΔ kg
75.JN8	•			8-10-11-13-17-19-22-24	2,37
75.JN10	•			8-10-11-12-13-14-16-17-18-19	2,16
75.J12	•			7-8-10-11-12-13-16-17-18-19-22-24	3,39
75.JE16	•			8-9-10-11-12-13-14-15-16-17-18-19-21-22-23-24	4,7
75.JU10	•			5/16-3/8-7/16-1/2-9/16-5/8-11/16-3/4-13/16-7/8	2,76
75.P22M	•			8-9-10-11-12-13-14-15-16-17-18-19-21-22-23-24-26-27-28-29-30-32	13,34
MOD.75-1		PL.625		8-10-11-12-13-14-16-17-18-19	2,480



