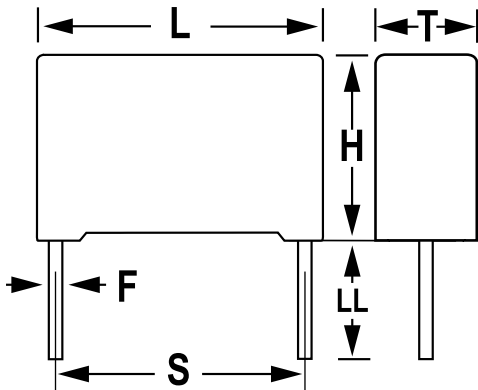


R60, Film, Metallized Polyester, Automotive Grade, 0.1 uF, 5%, 630 VDC, 85°C, Lead Spacing = 15mm



Dimensions	
L	18mm +0.5mm
H	13.5mm +0.1mm
T	7.5mm +0.2mm
S	15mm +/-0.4mm
LL	4mm +1.5mm
F	0.8mm +/-0.05mm

Packaging Specifications	
Packaging:	Bulk, Bag
Packaging Quantity:	1000

General Information	
Supplier:	KEMET
Series:	R60
Dielectric:	Metallized Polyester
Style:	Radial
Features:	Automotive Grade, DC Multipurpose Applications
RoHS:	Yes
Lead:	Cut
Qualifications:	AEC-Q200
AEC-Q200:	Yes
Miscellaneous:	Upper Operating Temperature Of 125C Is Allowed For A Maximum Operating Time Of 1,000 Hours. Above 85C, DC And AC Voltage Derating Is 1.25%/C.

Specifications	
Capacitance:	0.1 uF
Capacitance Tolerance:	5%
Voltage AC:	220 VAC
Voltage DC:	630 VDC
Temperature Range:	-55/+105C
Rated Temperature:	85°C
Dissipation Factor:	1.00% 1kHz, 1.50% 10kHz
Insulation Resistance:	30 GOhms
Max dV/dt:	25 V/us
Inductance:	10 nH