

## Features

- **Impact Absorption** – Protects surfaces and equipment from collision damage
- **Weather & Wear Resistant**– simple setup for immediate use
- **Multi-Application Use** – Ideal for transport, warehouse, and machinery protection

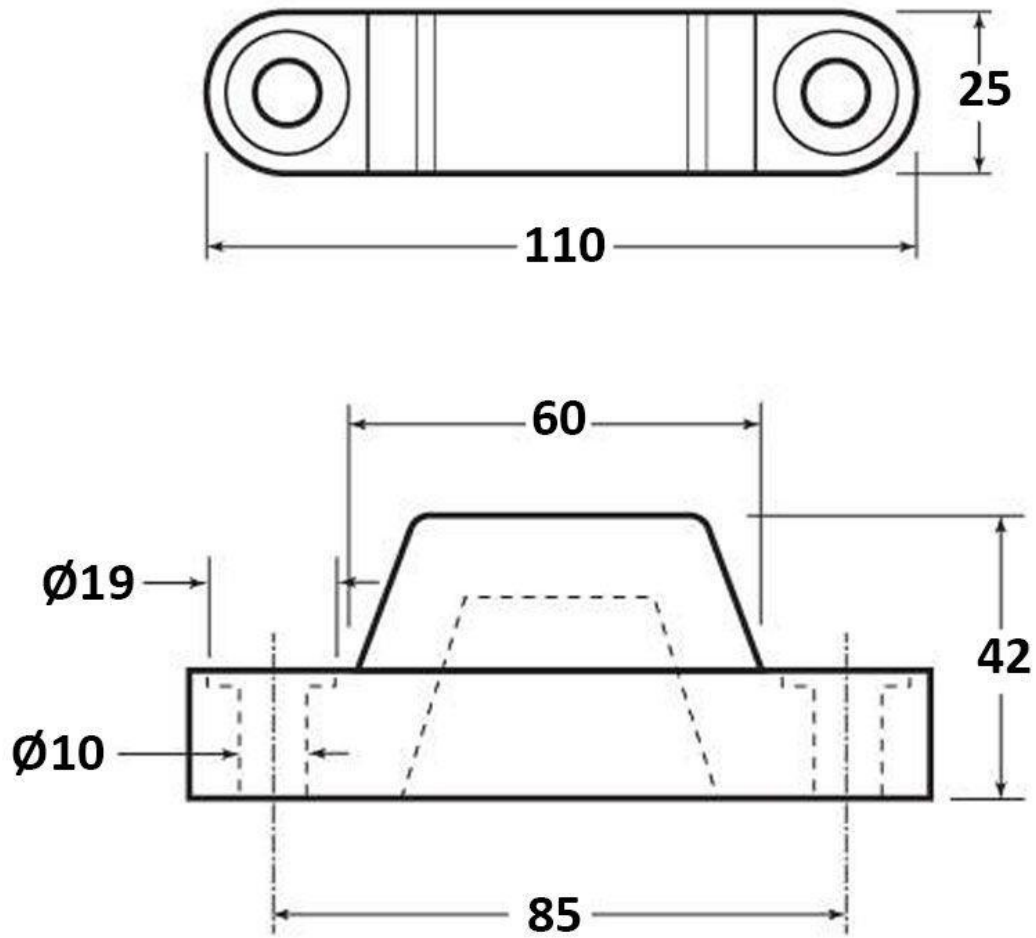
## Bumper Stop 110L x 25W x 42H

SKU.: 0734075



RS Professionally Approved Products bring to you professional quality parts across all product categories. Our product range has been tested by engineers and provides a comparable quality to the leading brands without paying a premium price.

# BUMPER



## Bumper Dimensions

Length (mm)	110
Width (mm)	25
Height (mm)	42

# BUMPER

## Product Description

Crafted from a premium blend of natural rubber (NR) and styrene-butadiene rubber (SBR), this high-performance buffer stopper offers an optimal balance of durability, flexibility, and resistance to environmental stress. Its robust composition ensures reliable performance in both indoor and outdoor conditions, making it an ideal solution for demanding operational environments.

Designed as a compact, general-purpose bumper, this model excels in absorbing impact between surfaces, helping to prevent damage and reduce wear across a variety of applications. Whether used in transportation or industrial settings, it provides consistent shock absorption and surface protection, contributing to safer and more efficient operations.

Its commercial-grade rubber construction meets rigorous quality standards, ensuring long-term resilience even under repeated stress. From safeguarding vehicles to cushioning machinery, this buffer stopper adapts seamlessly to diverse use cases.

## General Specifications

<b>Material</b>	NR/SBR
<b>Colour</b>	Black

## Mechanical Specifications

<b>Weight</b>	0.0095KG
<b>Tensile Strength</b>	4Mpa
<b>Elongation</b>	200%
<b>Hardness</b>	75ShA

## Operation Environment Specifications

<b>Maximum Temperature</b>	70°C
<b>Minimum Temperature</b>	-15°C