

PART	"A"	"B"	"C"	"D"	QTY
ACTR17	787.5	65.2	15.0	321.8	
ACTR22	1009.8	66.9	20.0	433.0	
ACTR27	1232.0	68.5	25.0	544.1	
ACTR32	1454.2	70.1	30.0	655.2	
ACTR39	1765.4	72.4	37.0	810.8	
ACTR42	1898.8	51.5	41.0	877.5	
ACTR45	2032.1	52.5	44.0	944.2	
ACTR47	2121.0	53.1	46.0	988.6	

Edge	Bend	Angle	Vee	S.S	Length
2	B	90U	-9.0	10.6	"A"
4	A	90U	-9.0	10.6	"A"

Material : Mild steel  
 Thickness : 1.600 Inside View

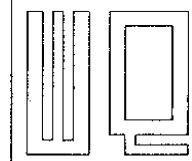


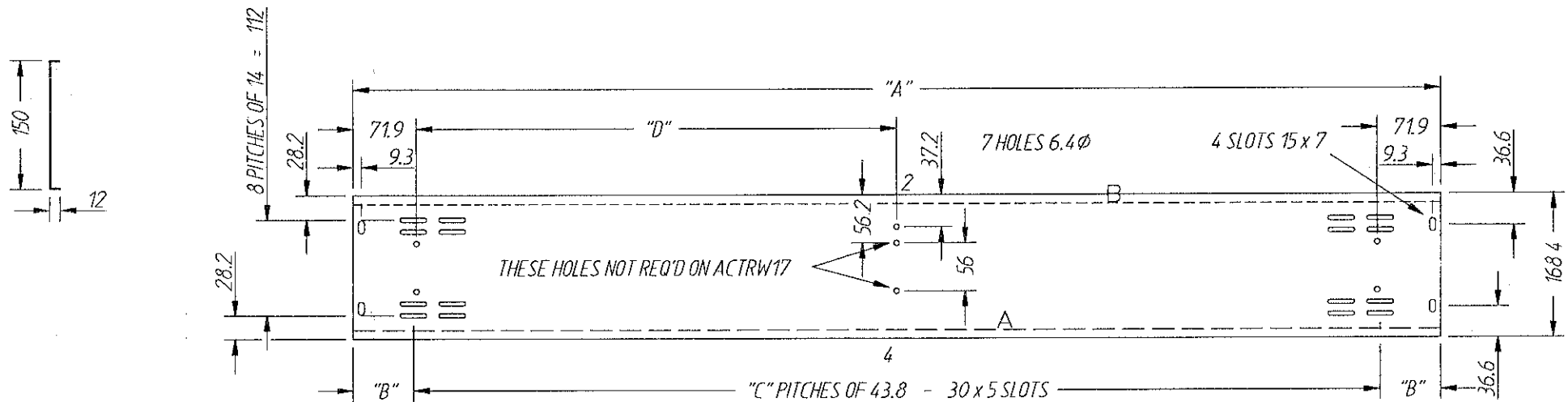
Willsher and Quick Ltd.

DESCRIPTION: CABLE TRAY 75mm (17-47)U  
 QTY: AS REQ'D  
 FINISH: REF WQUASF

R1 - 32U HEIGHT ADDED PRM 14/1/00  
 R2 - Ø6.4 HOLES ADDED PRM 01/03/00  
 R3 - 17U HEIGHT ADDED PRM 14/04/00  
 R4 - 45U HEIGHT ADDED PJK 22/03/01

PRODUCTION USE ONLY.





PART	"A"	"B"	"C"	"D"	QTY
ACTRW17	787.5	65.2	15.0	321.8	
ACTRW22	1009.8	66.9	20.0	433.0	
ACTRW27	1232.0	68.5	25.0	544.1	
ACTRW32	1454.2	70.1	30.0	655.2	
ACTRW39	1765.4	72.4	37.0	810.8	
ACTRW42	1898.8	51.5	41.0	877.5	
ACTRW45	2032.1	52.5	44.0	944.2	
ACTRW47	2121.0	53.1	46.0	988.6	

Edge	Bend	Angle	Vee	S.S	Length
2	B	90U	-9.0	10.6	"A"
4	A	90U	-9.0	10.6	"A"

Material : Mild steel  
 Thickness : 1.600 inside View



Willsher and Quick Ltd.

DESCRIPTION: CABLE TRAY 150mm (17-47)U

QTY: AS REQ'D

FINISH: REF WQUASF

R1 - 32U HEIGHT ADDED PRM 17/1/00  
 R2 - Ø6.4 HOLES ADDED PRM 01/03/00  
 R3 - 17U HEIGHT ADDED PRM 14/04/00  
 R4 - 45U HEIGHT ADDED PJK 22/03/01

PRODUCTION USE ONLY.

