

Key for key-operated switch CES, Lock No. LSG 1



<b>Product brand name</b>	SIRIUS ACT
<b>Product designation</b>	Keys
<b>Design of the product</b>	CES
<b>Product type designation</b>	3SU1

### Actuator

<b>Key number</b>	LSG1
-------------------	------

### Ambient conditions

Environmental category during operation acc. to IEC 60721	3M6, 3S2, 3B2, 3C3, 3K6 (with relative air humidity of 10 ... 95 %)
---	---

### Installation/ mounting/ dimensions

<b>Height</b>	21.5 mm
<b>Width</b>	2.2 mm
<b>Depth</b>	53.2 mm

### Accessories

<b>Material of accessory</b>	Metal
<b>Color of accessory</b>	Silver

### Certificates/approvals

General Product Approval	Declaration of Conformity	Test Certificates
--------------------------	---------------------------	-------------------



[Miscellaneous](#)

[Special Test Certificate](#)

Test Certificates	Marine / Shipping
-------------------	-------------------

[Type Test Certificates/Test Report](#)



Marine / Shipping	other
-------------------	-------

[Confirmation](#)



### Further information

**Information- and Downloadcenter (Catalogs, Brochures,...)**

<http://www.siemens.com/industrial-controls/catalogs>

**Industry Mall (Online ordering system)**

<https://mall.industry.siemens.com/mall/en/en/Catalog/product?mlfb=3SU1950-0FN80-0AA0>

**Cax online generator**

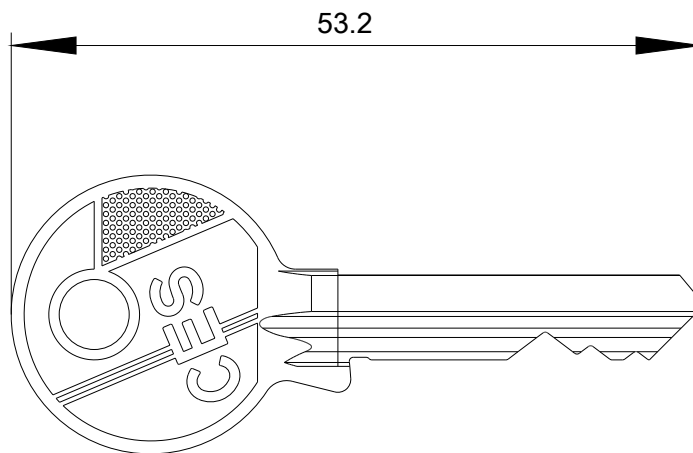
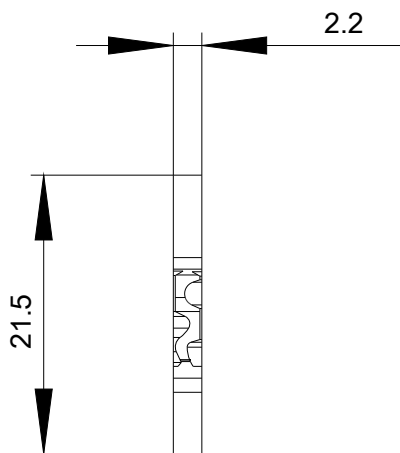
<http://support.automation.siemens.com/WW/CAXorder/default.aspx?lang=en&mlfb=3SU1950-0FN80-0AA0>

**Service&Support (Manuals, Certificates, Characteristics, FAQs,...)**

<https://support.industry.siemens.com/cs/ww/en/ps/3SU1950-0FN80-0AA0>

**Image database (product images, 2D dimension drawings, 3D models, device circuit diagrams, EPLAN macros, ...)**

[http://www.automation.siemens.com/bilddb/cax\\_de.aspx?mlfb=3SU1950-0FN80-0AA0&lang=en](http://www.automation.siemens.com/bilddb/cax_de.aspx?mlfb=3SU1950-0FN80-0AA0&lang=en)



last modified:

09/12/2019