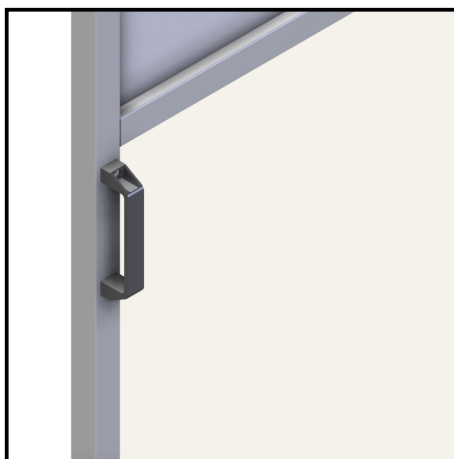
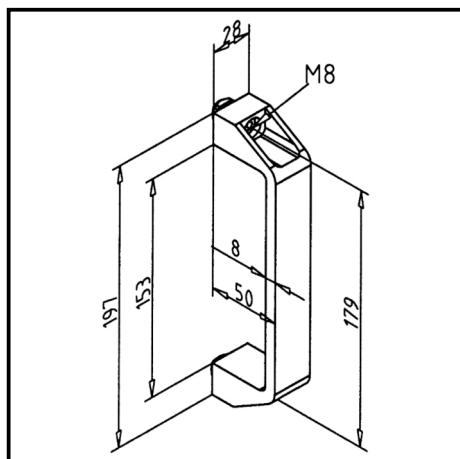


HANDLE 180 GREY

Article Nr. 21.1094/1

See the product on the website →

Download CAD Files →



TECHN. DATA / ITEMS SUPPLIED

- PA, grey
- With fastening material steel, zinc plated
- For use on vertical struts, handle **part no. 21.1094/4** (square nuts with position-fixing)
- Upon request, available in black, **part no. 21.1094/0**
- Weight = 0.100 kg/piece

APPLICATIONS

- Doors
- Lids
- Guard units

ASSEMBLY

- Fasten to profile groove with supplied hardware
- Directly on surface element with cylinder head screw M8