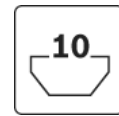


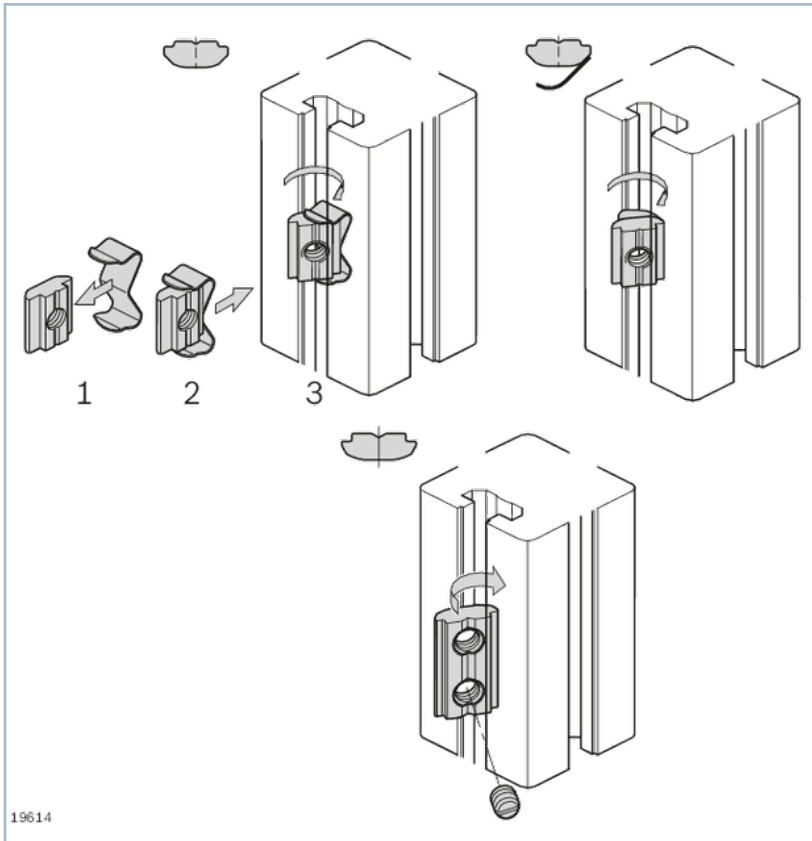
Sliding block, sliding block profile, swivel-in, slot 10



- Swivel-in sliding block profile for self-assembly of individual fastening elements
- The swivel-in sliding block for inserting directly at the installation position for really easy assembly
- The swivel-in sliding block with spring can be inserted directly at the assembly point and fixed in position thanks to attached springs
- The swivel-in sliding block with headless setscrews permits shake-proof fixing in all positions

- Profile finishing: not required

Product description

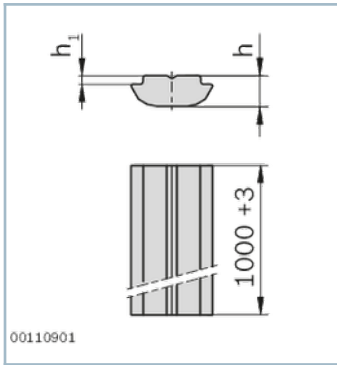


Technical data

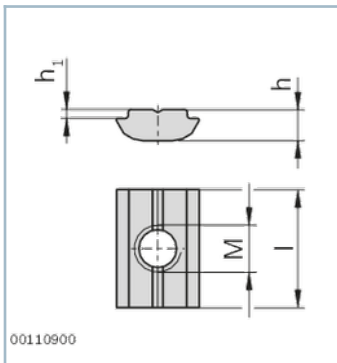
<p>Nut</p>	
<p>8 (M8)</p>	<p>2200 N</p>
<p>10 (M8)</p>	<p>8000 ... 18000 N¹⁾</p>
<p>1) Depending on the profile</p>	

Dimensions

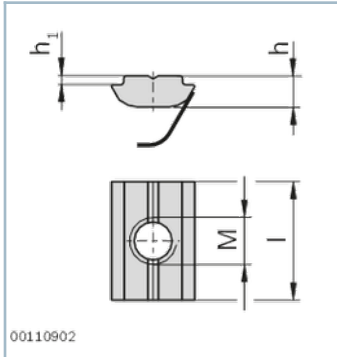
Swivel-in sliding block profile



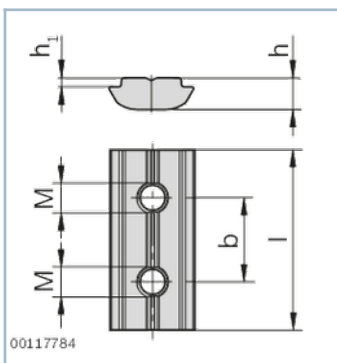
Sliding block, swivel-in



Swivel-in sliding block with spring



Sliding block, swivel-in, with headless setscrew












Accessories

Required accessories

Spring

Ordering codes

	Groove	M	b	h	h ₁	l		ESD	No.
			mm	mm	mm	mm			
Sliding block profile swivel-in N10 steel, galvanized	10			5.3	1.5	1000			3842529325
Sliding block, swivel-in N10 steel, galvanized, M6	10	M6		5.3	1.5	20	100		3842529323
Sliding block, swivel-in N10 steel, galvanized, M8	10	M8		5.3	1.5	20	100		3842529324
Sliding block, swivel-in N10 steel, stainless	10	M8		5.3	1.5	20	100		3842530316
Sliding block, swivel-in, with N10 steel spring, galvanized M4	10	M4		5.3	1.5	20	100		3842541393

	Groove	M	b	h	h ₁	l		ESD	No.
			mm	mm	mm	mm			
Sliding block, swivel-in, with N10 steel spring, galvanized M5	10	M5		5.3	1.5	20	100		3842529298
Sliding block, swivel-in, with N10 steel spring, galvanized M6	10	M6		5.3	1.5	20	100		3842529299
Sliding block, swivel-in, with N10 steel spring, galvanized M8	10	M8		5.3	1.5	20	100		3842529300
Sliding block, swivel-in, with N10 steel spring, stainless M5	10	M5		5.3	1.5	20	100		3842547808
Sliding block, swivel-in, with N10 steel spring, stainless M6	10	M6		5.3	1.5	20	100		3842547807

	Groove	M	b	h	h ₁	l		ESD	No.
			mm	mm	mm	mm			
Sliding block, swivel-in, with N10 steel spring, stainless M8	10	M8		5.3	1.5	20	100		3842547806
Swivel-in sliding block, with N10 steel headless setscrew; galvanized, M5, M5	10	M5; M5	14	5.3	1.5	30	100		3842536676
Swivel-in sliding block, with N10 steel headless setscrew; galvanized, M5, M6	10	M5; M6	14	5.3	1.5	30	100		3842557261
Swivel-in sliding block, with N10 steel headless setscrew; galvanized, M5, M8	10	M5; M8	14	5.3	1.5	30	100		3842557262