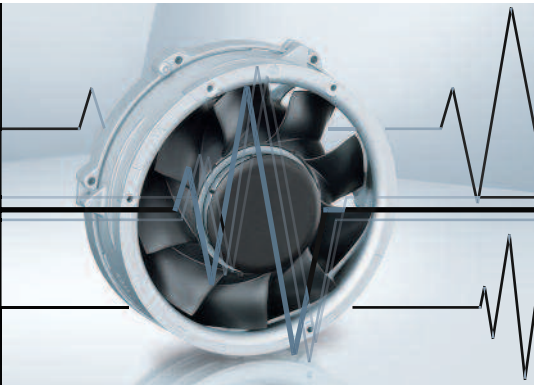


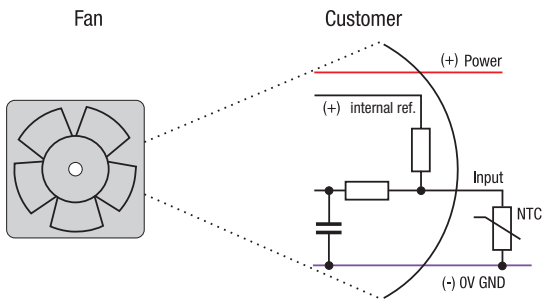
Speed setting via temperature sensor

- The control variable is a temperature sensor that is either integrated in the fan or connected to an additional control cable.



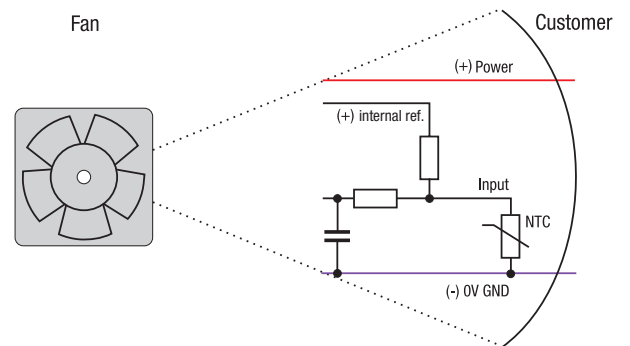
External temperature sensor type T

- Ext. NTC resistor type LZ370 (p. 257) is required (not included in the standard scope of delivery)

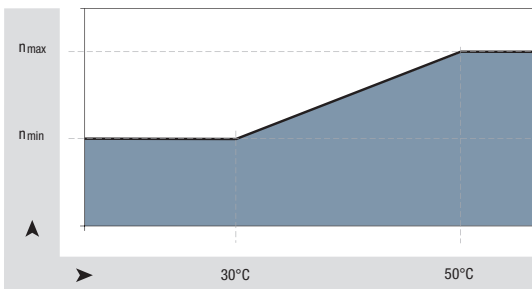


Internal temperature sensor type I

- NTC integrated in the fan hub



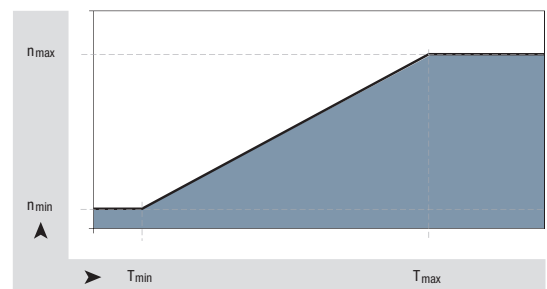
Standard speed/temperature curve for type T and type I



$$n_{\min} \approx \frac{1}{2} n_{\max}$$

$$T_{\min} \approx 30 \text{ }^{\circ}\text{C}; T_{\max} = 50 \text{ }^{\circ}\text{C}$$

Optionally available with selectable temperature/speed curve



$$n_{\min} \approx 800 \text{ } \frac{1}{\text{min}} \quad n_{\max} \text{ based on model}$$

$$T_{\min} \approx 5 \text{ }^{\circ}\text{C} \quad T_{\max} \leq 85 \text{ }^{\circ}\text{C, based on model}$$