

# BCU

## Control unit



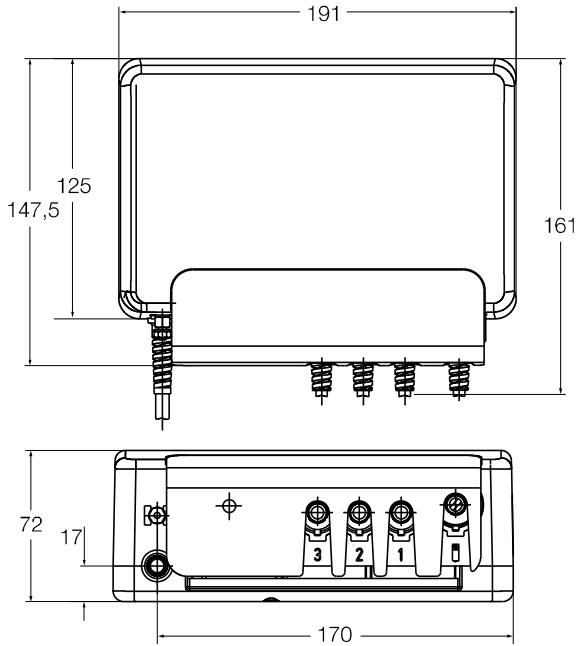
### Benefits

- Compact 3-channel actuator control unit
- Single fault safety
- Overload and over-temperature protection
- Approved for medical applications
- Easy to clean
- Low standby current

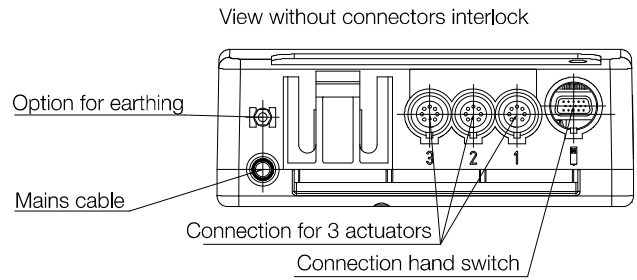
### Technical data

	Unit	BCU 5	BCU 8
Motor ports (DIN8)	#	3	3
Operating device ports (HD15)	#	1	1
Battery ports	#	0	0
Limit switch ports	#	0	0
Single fault safety	yes/no	yes	yes
Encoder processing	yes/no	no	no
Input voltage	V AC	120	230
Frequency	Hz	60	50
Input current (max)	A	2,5	1,3
Standby power	W	1,2	1,5
Output voltage	V DC	24	24
Output current (max)	A	7	7
Duty cycle: intermittent	min.	1 min./9 min.	1 min./9 min.
Duty cycle: short time	min.	2	2
Ambient temperature	°C	0 to +40	0 to +40
Humidity	%	5 to 85	5 to 85
Type of protection	IP	×4	×4
Approvals		IEC 60601-1(ed.3)	IEC 60601-1(ed.3)
Weight	kg	2,3	2,3

Dimensional drawing



Connecting diagrams



Suitable control units and accessories

	Linear actuators						Pillars					Operating switches				
	CALA 36A (24 V DC)	CARE 33A	Magdrive MD22, MD23	RU20, RU21, RU22	MAX 10, MAX 30	ECOMAG	THG 10	TLG 10	TLT 10	TFG 10	CPMT1	TXG 10	EHA3	CAJH1	STJ	STE
BCU 5	•	•	•	•	•	•	•	•	•	•	•	•	•	•	•	•
BCU 8	•	•	•	•	•	•	•	•	•	•	•	•	•	•	•	•

Hand switch     
 Foot switch     
 Desk switch

## Ordering key



**BCU control unit**

**Voltage**

- 5 120 V AC, 60 Hz, class I
- 8 230 V AC, 50 Hz, class II

**Mains power supply cable**

- 2J Class II, straight 3,5 m, 2-pole plug, EU (for voltage type 8)
- 2H Class II, straight 3,5 m, 2-pole plug, UK (for voltage type 8)
- 2L Class I, straight 3,5 m, 3-pole plug, UL (for voltage type 5)

**Each BCU needs a BCP**



**BCU parameterization**

**Functionality**

- 11 All channels individually
- 21 Channel 2+1
- 30 All channels simultaneously
- T1 Trendelenburg

**Motors**

<b>A</b>	CALA 36A (24V DC), ECO2, ECO3, ECO4, ECO5	3,7 A	Actuator 1	-
<b>C</b>	CARE 33A, TLT10 <sup>1)</sup> , TXG10 (EXG)	4,7 A	Actuator 2	-
<b>E</b>	TFG, ECO6, ECO8, ECO9	5,7 A	Actuator 3	-
<b>M</b>	MAX10, MAX30, THG10, TLG10	6,7 A		
<b>R</b>	RU20, RU21, RU22	8,5 A		
<b>D</b>	MD22, MD23	8,5 A		
<b>S</b>	CPMT1-1 <sup>2)</sup>	8,5 A		
<b>T</b>	CPMT1-2 <sup>2)</sup>	8,5 A		

**Soft start/stop**

- 0 Hard
- 3 Medium
- 6 Soft (on request)

<sup>1)</sup> TLT is a 2-motor actuator. If simultaneous run is needed, BCP21-CC... is recommended.

<sup>2)</sup> Reduced lift capability : CPMT1-1 up to 3 000 N, CPMT1-2 up to 4 000 N