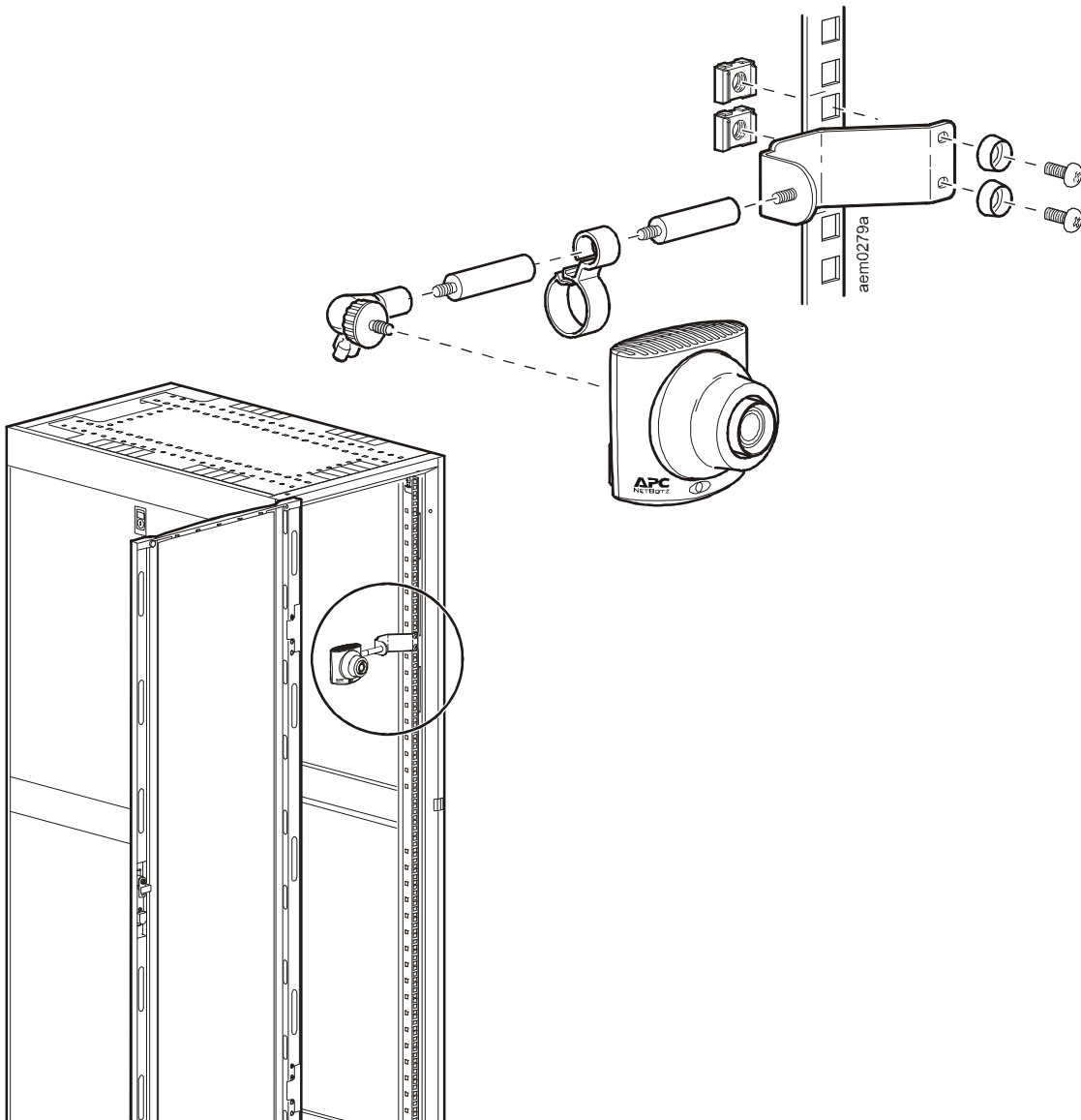


Rack Mounting Bracket for NetBotz[®] Room Camera Pod 160 (NBAC0302) Installation Instructions



Note: To secure the Rack Mounting Kit to the enclosure, use the cage nuts and screws provided with the enclosure.



Customer support and warranty information is available at the APC Web site, www.apc.com.

© 2008 American Power Conversion. All rights reserved. All APC trademarks are property of American Power Conversion. Other trademarks are property of their respective owners.

990-3387
06/2008

