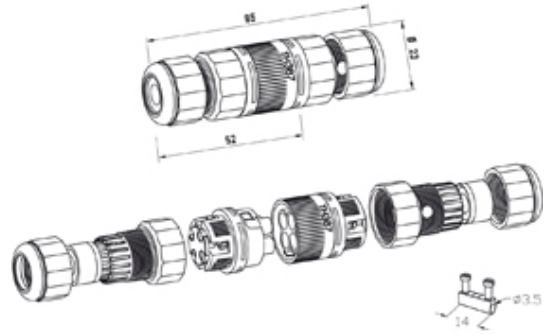


THB.387.B2A

TeePlug Powersocket 2 pole Screw terminal 7mm to 12mm cable diameter, 4 mm max conductor size IP68 17.5A 450V 1 cable entry



SPECIFICATION

Cable Entries	1
Number of Poles	2
Terminal Type	Screw
Body Material	PA66
Max Conductor Size (Sq mm)	4
Max Current (A)	17.5
Max Voltage (V)	450
Minimum Temp Rating °C	-40
IP Rating	68
Max Temp Rating °C	125
Comments	No photo
Fixing System	Cable
Maximum Cable Diameter (mm)	12
Minimum Cable Diameter (mm)	7
Temperature "T" Rating	T125