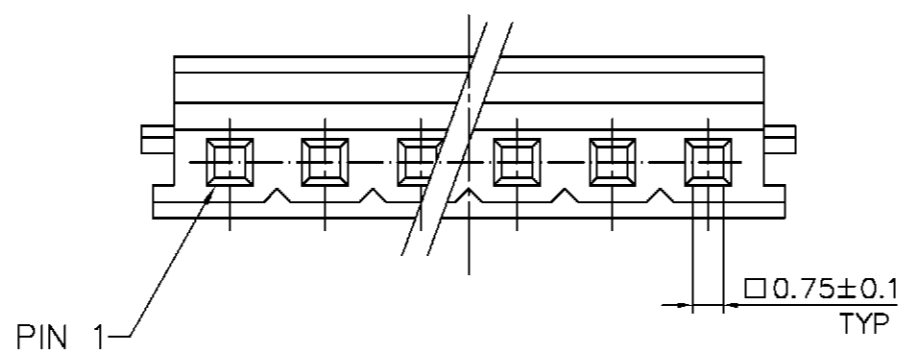
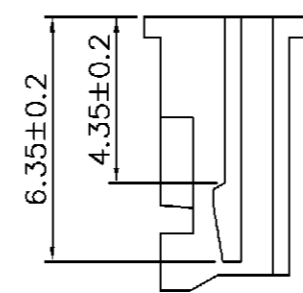
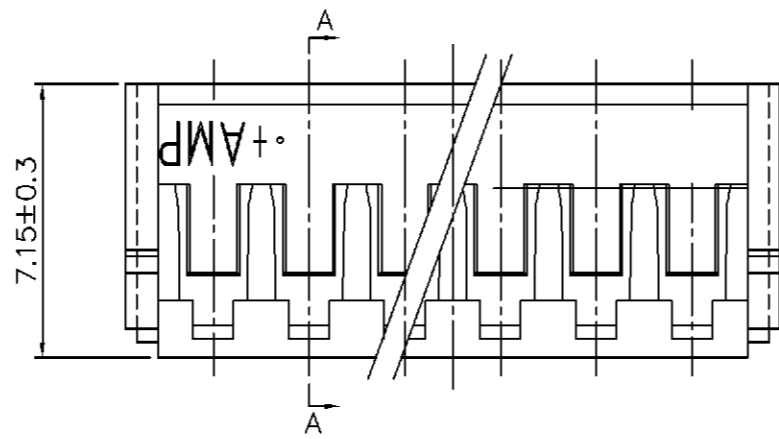
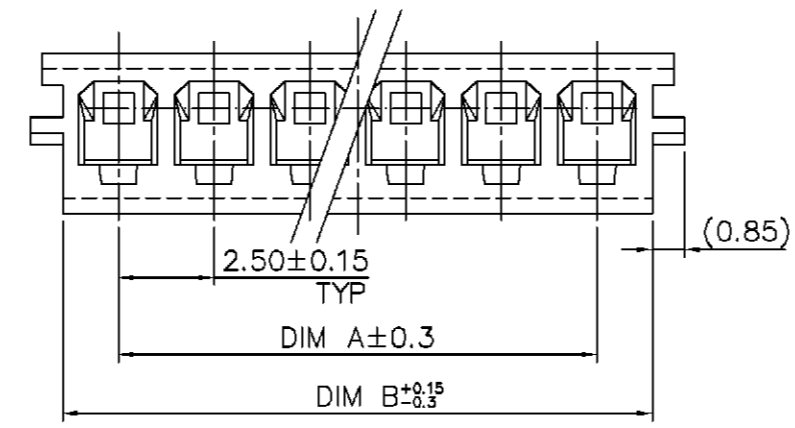
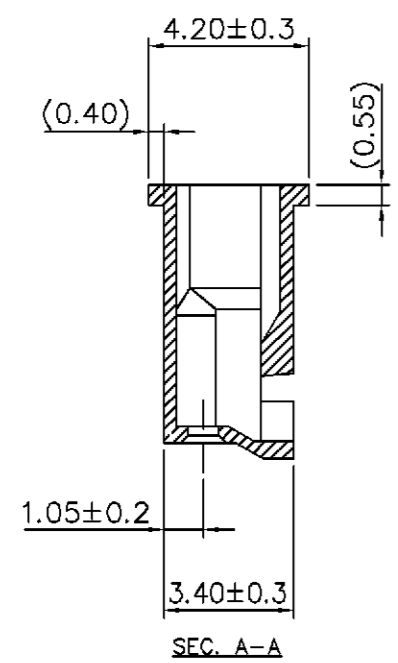



PRINT DIST DW 8 7 6 5 4 3 2 1  
 DIMENSIONS IN MILLIMETERS. DO NOT SCALE PRINT.  
 METRIC  
 NUMBER C-440133  
 3RD ANGLE PROJECTION



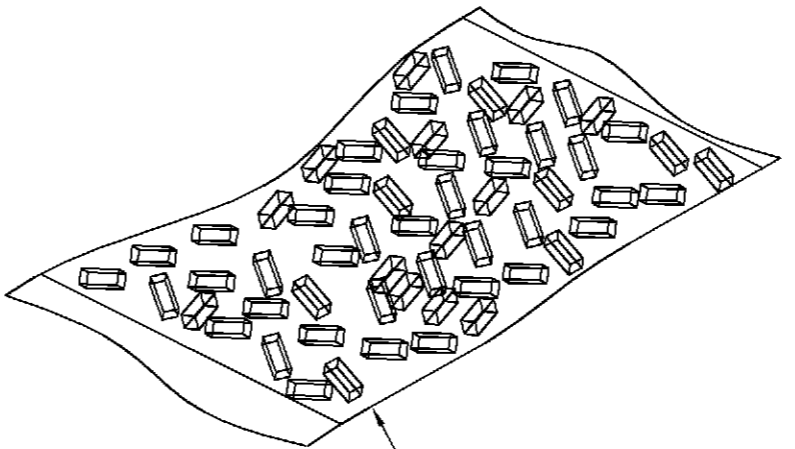
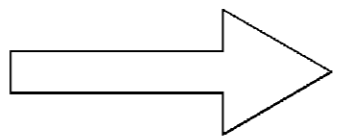
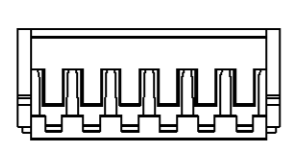
NOTE:  
MATERIAL: NYLON 66 UL 94V-0, COLOR: SEE TABLE.

HSG. COLOR	DIM B	DIM A	CIRCUITS	PART NO.
YELLOW	37.9	35.00	15P	3-440133-5
	35.4	32.50	14P	3-440133-4
	32.9	30.00	13P	3-440133-3
	30.4	27.50	12P	3-440133-2
	27.9	25.00	11P	3-440133-1
	25.4	22.50	10P	3-440133-0
	22.9	20.00	9P	2-440133-9
	20.4	17.50	8P	2-440133-8
	17.9	15.00	7P	2-440133-7
	15.4	12.50	6P	2-440133-6
	12.9	10.00	5P	2-440133-5
	10.4	7.50	4P	2-440133-4
7.9	5.00	3P	2-440133-3	
5.4	2.50	2P	2-440133-2	
NATURAL	37.9	35.00	15P	1-440133-5
	35.4	32.50	14P	1-440133-4
	32.9	30.00	13P	1-440133-3
	30.4	27.50	12P	1-440133-2
	27.9	25.00	11P	1-440133-1
	25.4	22.50	10P	1-440133-0
	22.9	20.00	9P	440133-9
	20.4	17.50	8P	440133-8
	17.9	15.00	7P	440133-7
	15.4	12.50	6P	440133-6
	12.9	10.00	5P	440133-5
	10.4	7.50	4P	440133-4
7.9	5.00	3P	440133-3	
5.4	2.50	2P	440133-2	

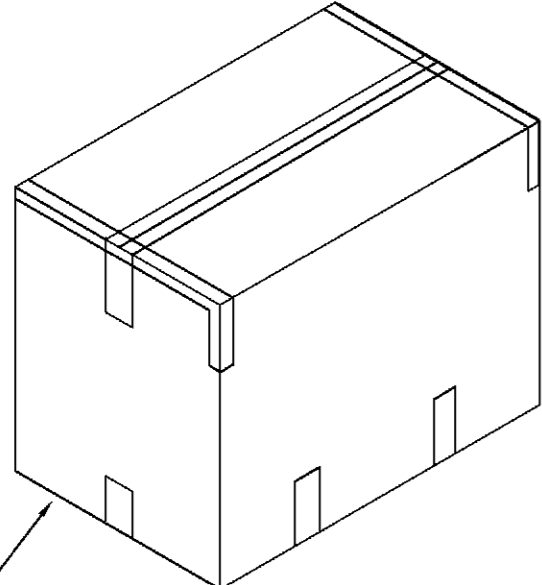
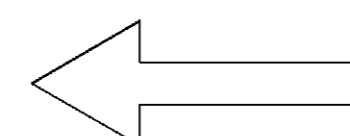
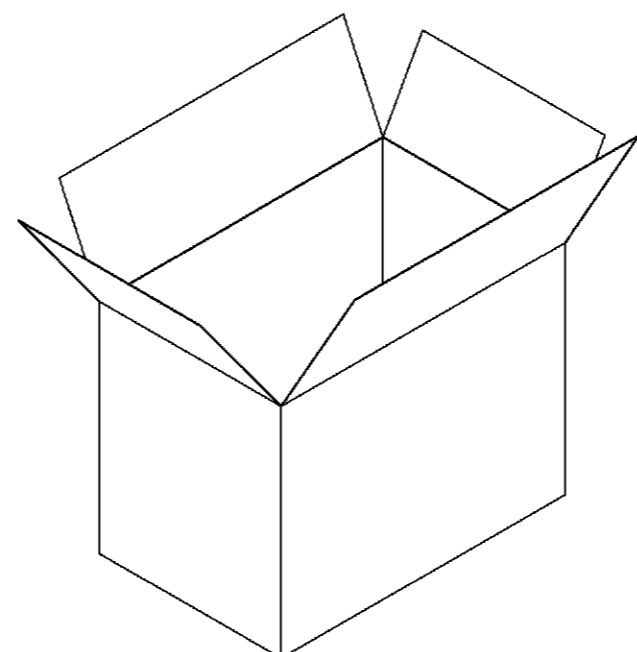
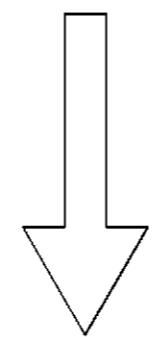
TOLERANCES UNLESS OTHERWISE SPECIFIED: 0 PLC ± 1 PLC ± 2 PLC ± 3 PLC ± ANGLES ±	DWN O. HU 25-OCT-2002	 TE Connectivity NAME 2.5 MM PITCH HPI CRIMP HOUSING
	CHK J. CHENG 25-OCT-2002	
MATERIAL SEE NOTE	APVD J. WU 25-OCT-2002	LOC SIZE DRAWING NO REV DW A <sub>3</sub> C-440133 B1 WEIGHT SCALE SHEET 1 OF 2
FINISH SEE NOTE	APPLICATION SPEC 114-57004	

B1	REVISED PER ECO-11-005294	HMR	06APR 11
LTR	REVISION RECORD	DWN	CHK DATE

NUMBER C-440133  
 METRIC  
 3RD ANGLE PROJECTION



POLY BAG  
 127mm(L)X 203mm(W)X 0.07mm(H)



CARTON  
 320mm(L)X 220mm(W)X 155mm(H)  
 (FOR HEADER 2P~7P ONLY)  
 340mm(L)X 470mm(W)X 365mm(H)  
 (FOR HEADER 8P~15P ONLY)

15,000	1,000	15P	3-440133-5	1-440133-5
20,000	1,000	14P	3-440133-4	1-440133-4
20,000	1,000	13P	3-440133-3	1-440133-3
25,000	1,000	12P	3-440133-2	1-440133-2
25,000	1,000	11P	3-440133-1	1-440133-1
30,000	1,000	10P	3-440133-0	1-440133-0
35,000	1,000	9P	2-440133-9	440133-9
40,000	1,000	8P	2-440133-8	440133-8
8,000	1,000	7P	2-440133-7	440133-7
10,000	1,000	6P	2-440133-6	440133-6
12,000	1,000	5P	2-440133-5	440133-5
15,000	1,000	4P	2-440133-4	440133-4
20,000	1,000	3P	2-440133-3	440133-3
25,000	1,000	2P	2-440133-2	440133-2
APQ (PCS/CARTON)	PPQ (PCS/BAG)	CIRCUITS	YELLOW	NATURAL
			HOUSING COLOR	
			PART NUMBER	

TOLERANCES UNLESS OTHERWISE SPECIFIED: 0 PLC ± 1 PLC ± 2 PLC ± 3 PLC ± ANGLES ±	DWN	O. HU				
	CHK	J. CHENG				
MATERIAL  SEE SHEET 1.	APVD	J. WU	2.5 MM PITCH HPI CRIMP HOUSING			
	PRODUCT SPEC	25-OCT-2002				
FINISH  SEE SHEET 1.	APPLICATION SPEC		LOC	SIZE	DRAWING NO	REV
	WEIGHT		DW	A <sub>3</sub>	C-440133	B1
			SCALE	SHEET		
			--	2 OF 2		

SEE SHEET 1.	ECN	DWN	CHK	DATE
LTR	REVISION RECORD			

PRINT DIST DW  
 DIMENSIONS IN MILLIMETERS. DO NOT SCALE PRINT.

8 7 6 5 4 3 2 1 CUSTOMER DRAWING